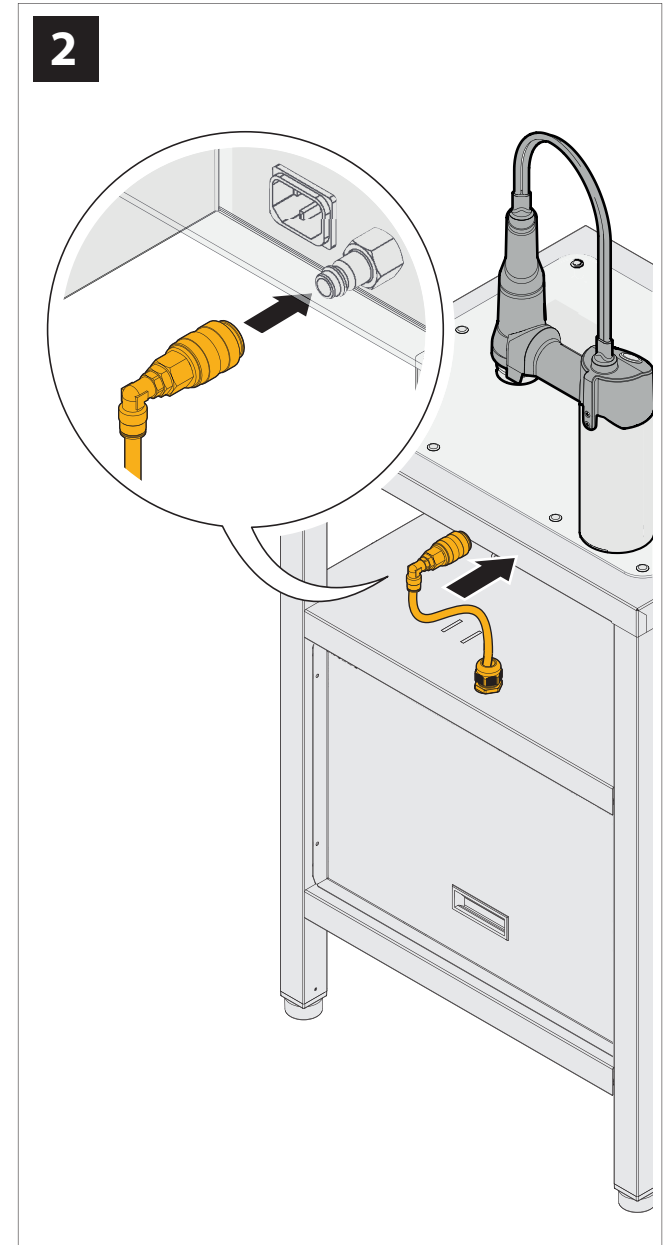
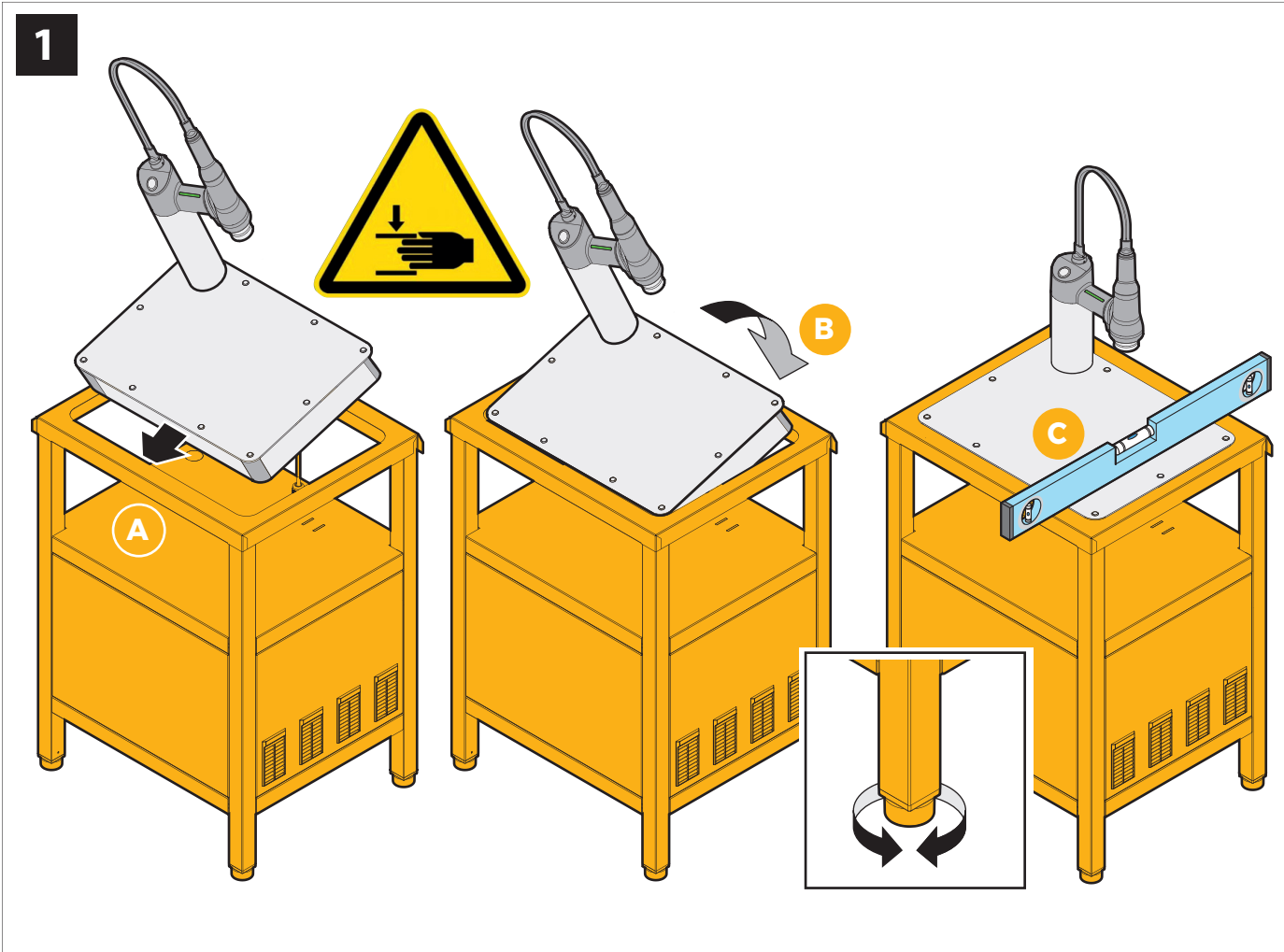




CABINET HOT VACUUM

XUC144 XUC149



3

