

Bedienungsanleitung Mode d'emploi

A370.033 (FTH-30 G)

A370.034 (FTH-60 G)

A370.037 (FTR-30 G)

A370.038 (FTHR-60 G)

A370.043 (FTH-C-30 G)

A370.044 (FTH-C-60 G)

A370.047 (FTR-C30 G)

A370.048 (FTHR-C-60 G)



INSTRUCTIONS FOR INSTALLATION AND USE
DIE GEBRAUCHS-, UND INSTALLATIONSANWEISUNG
NOTICE D'INSTALLATION ET D'EMPLOI



GRIDDLE PLATES

FTH - 30 G, GL / FTR - 30 G, GL
FTH - 60 G, GL / FTHR - 60 G, GL
FTH - 90 G, GL
FTHC - 30 G, GL / FTTC - 30 G, GL
FTHC - 60 G, GL / FTHRC - 60 G, GL
FTHC - 90 G, GL

CONTENT



DECLARATION OF A STANDARDS CONFORMITY	3
INSTRUCTION FOR USE	8
CLEANING AND MAINTENANCE	9



DIE NORMENÜBEREINSTIMMUNGSDEKLARATION	10
GEBRAUCHSANWEISUNG	15
REINIGUNG UND WARTUNG	13



DÉCLARATION DE CONFORMITÉ	17
MODE D'EMPLOI	21
ENTRETIEN	22

DECLARATION OF A STANDARDS CONFORMITY

The producer confirms that the devices agree with 2009/142/ES standards, rule nr. 22/1997 sb., nr. 258/2000 sb.. nr. 258/200 sb. and with relevant government orders. Instalation must be done with respect to valid standards. Attention, the producer refuses any responsibility in case of direct or indirect damages which are caused due to wrong instalation, incorrect intervention or modification, insufficient maintenance, incorrect use and also possibly caused by other reasons presented by items in sale conditions. This appliance is set only for skilled use and must be operated by qualified persons only. Parts set and secured by the producer or accredited person must not be rebuilt by user.

TECHNICAL DATA

Label with technical data is placed on the back side of the device. Study the electrical diagram of connection and all following information before instalation.

Model	Burner	Power (kW)	Dimensions of plate (cm)	Dimensions (cm)
FTH - 30 GL	1x 4,0 kW	4,0	32 x 48	33 x 60 x 29 v
FTR - 30 GL	1x 4,0 kW	4,0	32 x 48	33 x 60 x 29 v
FTH - 60 GL	2x 4,0 kW	8,0	65 x 48	66 x 60 x 29 v
FTHR - 60 GL	2x 4,0 kW	8,0	65 x 48	66 x 60 x 29 v

FTH-C - 30 GL	1x 4,0 kW	4,0	32 x 48	33 x 60 x 29 v
FTR-C - 30 GL	1x 4,0 kW	4,0	32 x 48	33 x 60 x 29 v
FTH-C - 60 GL	2x 4,0 kW	8,0	65 x 48	66 x 60 x 29 v
FTHR-C - 60 GL	2x 4,0 kW	8,0	65 x 48	66 x 60 x 29 v
FTH - 90 GL	3x 4,0 kW	12,0	97 x 48	99 x 60 x 29 v
FTH - C - 90 GL	3x 4,0 kW	12,0	97 x 48	99 x 60 x 29 v

Model	Burner	Power (kW)	Dimensions of plate (cm)	Dimensions (cm)
FTH - 30 G	1x 4,0 kW	4,0	32 x 48	33 x 60 x 22 v
FTR - 30 G	1x 4,0 kW	4,0	32 x 48	33 x 60 x 22 v
FTH - 60 G	2x 4,0 kW	8,0	65 x 48	66 x 60 x 22 v
FTHR - 60 G	2x 4,0 kW	8,0	65 x 48	66 x 60 x 22 v

FTH-C - 30 G	1x 4,0 kW	4,0	32 x 48	33 x 60 x 22 v
FTR-C - 30 G	1x 4,0 kW	4,0	32 x 48	33 x 60 x 22 v
FTH-C - 60 G	2x 4,0 kW	8,0	65 x 48	66 x 60 x 22 v
FTHR-C - 60 G	2x 4,0 kW	8,0	65 x 48	66 x 60 x 22 v
FTH - 90 G	3x 4,0 kW	12,0	97 x 48	99 x 60 x 22 v
FTH - C - 90 G	3x 4,0 kW	12,0	97 x 48	99 x 60 x 22 v

BURNERS

MODEL	NOZZLE	Burner	12,8 kWh/kg G 30/G 31 PROPAN / BUTAN 28 - 30 mbar	12,8 kWh/kg G 31 PROPAN 37 mbar	12,8 kWh/kg G 30/G 31 PROPAN / BUTAN 50 mbar	9,45 kWh/m ³ G 20 Natural GAS 20 mbar	FEEDING TUBE GAS
FT**-30	NOZZLE OF BURNER 1/100 MM	4,0 kW	93	93	77	135	G 1/2"
	CONSUPTION	4,0 kW	0,546 kg/h	0,546 kg/h	0,546 kg/h	0,74 m ³ /h	---
FT**-60	NOZZLE OF BURNER 1/100 MM	2x 4,0 kW	93	93	77	135	G 1/2"
	CONSUPTION	2x 4,0 kW	1,092 kg/h	1,092 kg/h	1,092 kg/h	1,148 m ³ /h	---
FT**-90	NOZZLE OF BURNER 1/100 MM	3x 4,0 kW	93	93	77	135	G 1/2"
	CONSUPTION	3x 4,0 kW	1,638 kg/h	1,638 kg/h	1,638 kg/h	2,22 m ³ /h	---

PACKING AND DEVICE CHECK

The device leaves our stocks properly packed with appropriate symbols and labels. There are also appropriate instructions for use. In case the packing shows bad handling or damage, it must be reclaimed at transporter immediately by writing and signing of a damage protocol.

Important notice:

- this instructing guide must be read properly and carefully because it contains important information about safety elements, installation, use
- these recommendations refer to this product
- this product corresponds with valid standards
- this guide must be properly deposited for future use
- keep the children away from manipulation with the product
- when selling or moving the product to another place it is necessary top make yourself sure that the staff or the professional service has got acquainted with control and installation instructions from enclosed guide
- only authorised person can operate the product
- it can not be switched on without supervision
- we recommend to have the product checked by professional service min. once a year
- only original spare parts can be used for repairs
- the product can not be cleaned by the water jet or pressure shower
- by damage or break down disconnect all the feeders (water, gas, electricity) and call professional service
- producer refuses any responsibility in case of damages caused by wrong installation, by disobserving of above mentioned recommendations or by other use etc.

PLACEMENT

The device must be instalated in well ventilated room what is necessary for regulation of the function of the device (technician must go by valid standard (ČSN....). If the device is situated close to the wall or if it is in contact with the furniture walls, these walls must resist the temperatures ranging to 60°C. Instalation, setting, putting into operation must be done by qualified person who is competent for this and according to the valid standards.

Wrap up the device and check whether it was not damaged during transport. Settle the device on horizontal surface (max imbalance 2°).Settle the device under the fumehood to eliminate water steam and bad smell. The device can be instalated separately or in a set with devices of our production. Min. distance 10 cm from other subjects must be kept.It is also necessary to prevent our product from contact with combustible materials. In this case you must make corresponding changes to secure heat izolation of combustible parts. Safety measures from the standpoint of the fire protection according to ČSN 061008čl. 21:

DEVICE INSTALATION

Instalation, setting, rebuilding for another gas type, putting into operation must be done by qualified person who is competent for this and according to the valid standards. The device can be instalated in good ventilated room. When it is possible place the device under the fumehood to suck off the products of combustion. Air needy to the burning is 2m³/h/kW of the performance of the instaled device.

The device can be instalated separately or in a set with devices of our production. Min. distance 10 cm from other subjects must be kept. It is also necessary to prevent our product from contact with combustible materials. In this case you must make corresponding changes to secure heat izolation of combustible parts (for example: place between the device and combustible material azbestos plate).

SAFETY MEASURES FROM THE STANDPOINT OF THE FIRE PROTECTION ACCORDING TO EN 061008 ČL. 21

- only adults can operate the device
- device must be safely used in common surroundings according to EN 332000-4-482; EN 332000-4-42
- device must be placed so as to stand or hang on the noncombustible surface. No subjects from combustible materials can be placed directly on the device or in distance which is shorter than safety distance (the shortest distance is 10 cm).
- safety distances from various materials of different degree of combustion and information about the degree of comb. of common building materials - see chart:

Chart:

Combustion degree of building materials classified according to the combustion degree of materials and products (EN 730823)

A noncombustible	granit, sandstone, concretes, bricks, ceramic wallfacing tiles, plaster
B uneasily combustible	akumine, heraklite, lihnos, itavere
C1 hardly combustible	leafy wood, plywood, sirkoklit, rare paper formica
C2 middle combustible	fibreboards, solodure, cork boards, rubber, floor-coverings
C3 easily combustible	wood-fibreboards, polystyrene, polyurethane, PVC

Devices must be instalated in a safe way. When instaling you must respect corresponding project, safety and hygienic orders according to:

- EN 061008 fire protection of local devices and sources of heat
- EN 332000 surrounding for electric devices

PIPE FOR GAS CONNECTION

It must first determine if the appliance is made for the same type of gas that will be used and thus conforms to the indications on the label the type of gas to be used.

The conversion of gas pan to another type of gas you need to check if it corresponds to the type of gas bearing, which is recommended in this guide.

Connecting the appliance to the gas distribution must be towable to a steel or copper tube complying with applicable national requirements. This must be controlled on regular basis and changed if needed. Every appliance must be equipped with shut-off valve and quick shut-off valve. Quick shut-off valve must be freely accessible and within reach of the device. After installation, is necessary to check whether there is a gas leak. To find a gas leak you can use soapy water or spray for gas leak detection.

Do not use corrosive substances!! All our appliances are carefully controlled. Gas type, pressure and of the categories listed named on the technical information plate.

Liquid gas connection:

Pressure for liquid gas connection must be 28 or 30 mbar for propane/butane and 37 mbar for propane. It is necessary to check the technical label ,gauge the pressure and check the parameters of the nozzle is installed with the required parameters of the nozzle according to the manufacturer's. If the pressure is lower than 25mbar or higher than 37 mbar, THE APPLIANCE SHALL NOT TO BE CONNECTED.

Gas Connection:

Pressure for methane connection must be 18 or 20 mbar. It is necessary to check the technical label ,gauge the pressure and check the parameters of the nozzle is installed with the required parameters of the nozzle according to the manufacturer's. If the gas pressure is lower than 15mbar or higher than 22,5 mbar, THE APPLIANCE SHALL NOT TO BE CONNECTED.

Instructions for sucking off the gas products of combustion

Type A devices (see the label with characteristics). Appliance of finish A, that is the appliance which is not made for being connected with the chimney or other device for sucking off the products of combustion out of the space where the appliance is situated. These appliances must be situated in the room with sufficient ventilation according to the ČSN 12 7010:1986 and ČSN 1207040:1986. It is necessary to prevent the accumulation of the harmful matters in big concentration (secure the requirement of hygienic standard for working surrounding sv. 39/78 guideline 46).

CHECK THE GAS TYPE THE DEVICE IS ADJUSTED FOR

Check whether the device is set for the gas type you use. The gas type is indicated on the label of each device.

Process of rebuilding the device for another gas type

The device is set and checked for liquefied gas (see the label). Rebuilding for another gas type must be done by qualified person. Nozzles are included in the packet with instructions for use.

Exchange of the main burner's nozzle: picture D

Screw up and remove the bottom cover (21), screw up the nozzle (23a) and screw in the new one for required gas type - see technical chart. You need not to regulate air feeder.

Important:

After having rebuilt the gas type, change the data on the label.

How to check the operation of the device:

- check the gas leaks
- check the ignition and flame of the main burner
- check the ignition and flame of the main burner for min. performance (sporo)
- check whether the flame of the burner licks the thermoelement and whether it is blue
- we recommend to the user when using the device to proceed according to the instructions for use

Regulation of the flame by the lower performance (sporo):

Adjust the low performance (sporo) and then regulate the flame with screw which is situated in the body of the tap next to the tap shaft.

Process of regulation:

- remove the regulation tap knob (pull to yourself)
- there is slot for regulation next to the tap shaft
- regulate the flame with the small flat screwdriver

Maintenance:

We recommend you to have the device checked once a year by professional service. Only qualified or competent persons can do interventions in the product.

It may be necessary to exchange some parts during the useful life of the device:

piezzo electrode, sensor of the thermofuse

Exchange of the piezzo electrode or thermofuse sensor: picture D

Screw up and remove the bottom cover (17), screw up the holder of the electrode and the sensor (26), disconnect and remove the electrode (27) or sensor (23). The fitting up of new part must be done in the contrary.

INSTRUCTION FOR USE

Attention!

When the hot-plate smokes after the first switching it on it is necessary to leave the device on at least for an hour until the smoke disappears.

• Ignition of the main burner and regulation of the temperature: pictures A,B

Turn the regulation knob (2) into position „ignition of the main burner“ and then press it down and hold it. Press down the piezo knob of the ignitor several times (1) until the main burner burns. The flame is visible through the slot in the front panel. After ignition of the burner hold the knob (2) pressed several seconds till the thermofuse gets hot. Then release the button. If the flame goes out repeat the whole process once more.

• Lower performance sporo: picture A,B

By turning the knob (2) into position „sporo“ you set the burning of the burner for sporo (lower performance).

• How to switch the whole device off: picture A,B

Turn the knob (2) into position "0".

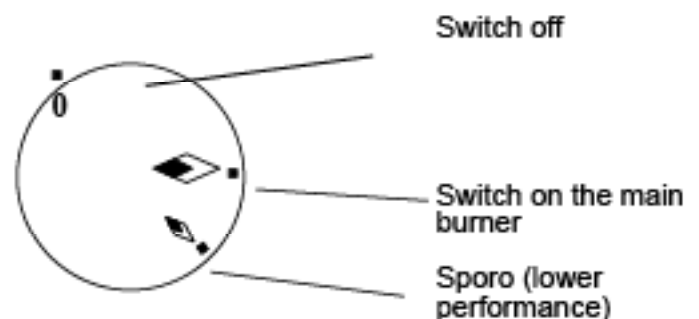
Bowl for superfluous oil

Check this bowl regularly and empty it in time. You must clean the bowl after each switching the device off. ATTENTION! THIS BOWL CAN BE HOT WHEN THE DEVICE IS ON. EMPTY IT WHEN THE DEVICE IS COLD.



① Piezzo knob

② Regulation knob



LEANING AND MAINTENANCE

Clean the device daily. Stainless parts wash with moist cleaning cloth and detergent without groove parts then splash it with clean water and dry it by the cloth. When cleaning the interior space, the burner can be removed (lift the back part and by back work movement back out from frot brackets After cleaning impregnate the surface of the hot-plates with oil.

WHAT TO DO IN CASE OF BREAK-DOWN?

Switch off the gas feeder and call seller's professional service.

The way of usage and liquidation of the litter

Wrapping - sell it to the salvage. Wrapping foil - give into the salvage containers for plastic. Liquidation of the device after useful life: „Sell the device and it's parts to the salvage.“

INDICATION

Guarentee does not cover all consumption parts succumable to common wear (rubber seals, bulbs, glas and plastic parts etc.). The guarantee does not refer to the devices which were not instaled in correspondance with instructions - by qualified worker, in confirmity with standards and when somebody handled incompetently the device (interventions into inner equipment) or the device was operated by nonqualified staff or at variance with instructions for use. Guarantee does not also cover the damages caused due to influence of nature or other outer intervention.

DIE NORMENÜBEREINSTIMMUNGSDEKLARATION

Der Produzent erklärt, daß die Geräte in einer Übereinstimmung mit den Vorschriften der 2004/108/ES, 2006/95/ES dem Gesetz Nr. 616/2006 sb., 17/2003 sb. der Sammlung und zugehörigen Regierungsverordnungen stehen. Die Installation muss mit der Absicht auf geltende Normen durchgeführt werden. Vorsicht, im Falle einer direkten oder indirekten Beschädigung, die sich auf falsche Installation, unrichtigen Eingriff oder Anpassungen, ungenügende Instandhaltung, unrichtige Verwendung beziehen, und welche eventuell durch andere Ursachen, als in Punkten der Verkaufsbedingungen angeführt ist, so verzichtet der Importeur auf jegliche Verantwortung. Dieses Gerät ist nur für fachliche Verwendung bestimmt und muß durch qualifizierte Person bedient werden. Teile, die nach der Einstellung durch den Hersteller oder durch befugte Person gesichert wurden, dürfen vom Benutzer keineswegs umgestellt werden.

DIE TECHNISCHEN DATEN

Das Schild mit technischen Angaben ist auf der Rückseite des Gerätes angebracht. Studieren sie vor der Installation das elektrische Schema der Einschließung und alle folgende Informationen durch.

Modell	Burner	ANSCHLUSSWERT (kW)	PLATTEABMESSUNG (cm)	ABMESSUNG (cm)
FTH - 30 GL	1x 4,0 kW	4,0	32 x 48	33 x 60 x 29 v
FTR - 30 GL	1x 4,0 kW	4,0	32 x 48	33 x 60 x 29 v
FTH - 60 GL	2x 4,0 kW	8,0	65 x 48	66 x 60 x 29 v
FTHR - 60 GL	2x 4,0 kW	8,0	65 x 48	66 x 60 x 29 v
FTH-C - 30 GL	1x 4,0 kW	4,0	32 x 48	33 x 60 x 29 v
FTR-C - 30 GL	1x 4,0 kW	4,0	32 x 48	33 x 60 x 29 v
FTH-C - 60 GL	2x 4,0 kW	8,0	65 x 48	66 x 60 x 29 v
FTHR-C - 60 GL	2x 4,0 kW	8,0	65 x 48	66 x 60 x 29 v
FTH - 90 GL	3x 4,0 kW	12,0	97 x 48	99 x 60 x 29 v
FTH - C - 90 GL	3x 4,0 kW	12,0	97 x 48	99 x 60 x 29 v

Modell	Burner	ANSCHLUSSWERT (kW)	PLATTEABMESSUNG (cm)	ABMESSUNG (cm)
FTH - 30 G	1x 4,0 kW	4,0	32 x 48	33 x 60 x 22 v
FTR - 30 G	1x 4,0 kW	4,0	32 x 48	33 x 60 x 22 v
FTH - 60 G	2x 4,0 kW	8,0	65 x 48	66 x 60 x 22 v
FTHR - 60 G	2x 4,0 kW	8,0	65 x 48	66 x 60 x 22 v
FTH-C - 30 G	1x 4,0 kW	4,0	32 x 48	33 x 60 x 22 v
FTR-C - 30 G	1x 4,0 kW	4,0	32 x 48	33 x 60 x 22 v
FTH-C - 60 G	2x 4,0 kW	8,0	65 x 48	66 x 60 x 22 v
FTHR-C - 60 G	2x 4,0 kW	8,0	65 x 48	66 x 60 x 22 v
FTH - 90 G	3x 4,0 kW	12,0	97 x 48	99 x 60 x 22 v
FTH - C - 90 G	3x 4,0 kW	12,0	97 x 48	99 x 60 x 22 v

BURNERS

MODELL	DÜSE	Burner	12,8 kWh/kg G 30/G 31 PROPAN / BUTAN 28 - 30 mbar	12,8 kWh/kg G 31 PROPAN 37 mbar	12,8 kWh/kg G 30/G 31 PROPAN / BUTAN 50 mbar	9,45 kWh/m ³ G 20 ERDGAS 20 mbar	GASAN- SCHLU- SSROHR
FT**-30	NOZZLE OF BURNER 1/100 MM	4,0 kW	93	93	77	135	G 1/2"
	CONSUPTION	4,0 kW	0,546 kg/h	0,546 kg/h	0,546 kg/h	0,74 m ³ /h	---
FT**-60	NOZZLE OF BURNER 1/100 MM	2x 4,0 kW	93	93	77	135	G 1/2"
	CONSUPTION	2x 4,0 kW	1,092 kg/h	1,092 kg/h	1,092 kg/h	1,148 m ³ /h	---
FT**-90	NOZZLE OF BURNER 1/100 MM	3x 4,0 kW	93	93	77	135	G 1/2"
	CONSUPTION	3x 4,0 kW	1,638 kg/h	1,638 kg/h	1,638 kg/h	2,22 m ³ /h	---

DIE VERPACKUNGS-, UND VORRICHTUNGSKONTROLLE

Die Vorrichtung verlässt unsere Lager in ordentlicher Verpackung, auf deren die entsprechenden Symbole und Bezeichnungen stehen. In der Verpackung befindet sich entsprechende Bedienungsanweisung. Falls die Verpackung eine schlechte Behandlung oder Anzeichen der Beschädigungen vorweist, muß dieses sofort beim Transporteur reklamiert werden und zwar durch Unterzeichnung eines Schadensprotokolles.

Wichtige Hinweise

- Diese Bedienungsanleitung muss ordentlich und bedächtig gelesen werden, weil sie wichtige Informationen über Sicherheitsmerkmale, Installation und Anwendung beinhaltet
- Diese Empfehlungen beziehen auf diesen Produkt
- Der Produkt entspricht geltenden Normen
- Diese Anleitung muß ordentlich für die zukünftige Verwendung hinterlegt werden
- Hindern Sie den Kinder an Vorrichtungsm Manipulation
- Beim Verkauf oder Verlegung ist es notwendig sich zu überzeugen, daß die Bedienstperson oder Fachservis sich mit der Beherrschung und Installationsanweisung in beiliegender Anleitung, anvertraut gemacht haben.
- Das Produkt darf nur eingeschulte Bedienung bedienen
- Das Produkt darf nicht ohne Aufsicht ins Betrieb gesetzt sein
- Es ist empfohlen, minimal einmal pro Jahr eine Fachkontrolle durchführen zu lassen
- Bei eventueller Reparatur der Teilenumtauschungen müssen ausschließlich Originalteile angewendet werden
- Das Produkt darf nicht durch einen Wasserstrahl oder Druckbrause gereinigt werden
- Schalten Sie alle Leitungen (Wasser, Elektrizität, Gas) bei einer Störung oder beim schlechten Lauf aus und rufen Sie autorisierten Service an
- Der Hersteller verzichtet auf jegliche Verantwortung bei Störungen, die durch fehlerhafte Installation, Nichteinhaltung o.a. Empfehlungen, andere Verwendung u.ä, verursacht wurden

DIE PLATZIERUNG

Es ist unbedingt notwendig, zu der Regulation der Gerätetätigkeit, daß das Milieu - der Küche -, wo das Gerät installiert wird, sehr gut belüftbar ist (im Hinblick darauf: sei der Techniker sich mit geltenden Normen (EN) richtet). Wenn die Einrichtung so plaziert wird, daß sie im Mobiliarwandkontakt stehen wird, so müssen diese einer Temperatur von 60°C widerstehen. Die Installation, Herrichtung, Inbetriebnahme müssen durch qualifizierte Person, die zu solchen Vorkehrungen eine Befugnis hat und dies laut geltenden Normen nach, durchgeführt werden.

Packen Sie das Gerät aus und kontrollieren Sie , ob sich das Gerät während des Transportes nicht beschädigt hat. Platzieren Sie das Gerät auf eine waagrechte Fläche (maximale Unebenheit bis 2°). Stellen Sie das Gerät unter den Haubenabzug, damit Sie die Wasserdämpfe und den Geruch eliminieren. Das Gerät kann selbständig oder in einer Reihe mit Geräten unserer Herrstellung installiert werden. Es ist notwendig die minimale Entfernung von 10 cm zu anderen Gegenständen einzuhalten, so dass die Wärmeisolierung der brennbaren Teilen gewährleistet wird.

INSTALLATION DES BEDARFSARTIKELS

Installation, Herrichtung, Umbau der Anlage auf anderen Gastyp und Setzung im Betrieb muss qualifizierte Person machen, die zu solchen Leistungen Erlaubnis nach gültigen Normen hat. Bedarfsartikel kann man nur in gut gelüfteten Räumen installieren, wenn es möglich ist, dann unter Dampfsauger. Luft nötig fürs Brenner ist 2m³/St/kW der Leistung der installierten Anlage. Das Gerät kann selbstständig oder in eine Serie von bei uns hergestellten Anlagen installiert werden. Es ist wichtig eine Mindestdistanz 10 cm von anderen Gegenständen einzuhalten und auch den Kontakt mit Brennstoffen vorbeugen. Anders ist es nötig entsprechende Herrichtung zu machen dass die Thermoizolation versichert ist (z.B. zwischen das Gerät und Brennbarmaterial geben wir die azbeste Platte).

DIE SICHERHEITSVORRICHTUNGEN AUS DER SICHT DES FEUERSCHUTZES LAUT EN. 061008 ČL. 21

Die Einrichtungsbedienung dürfen nur Erwachsene ausführen

- Das Gerät darf sicher in gewöhnlicher Umgebung laut EN 332000-4-482; EN 332000-4-42 verwendet werden.
- Es ist notwendig das Gerät so platzieren, daß es auf einer unbrennbaren Grundlage steht oder hängt.
- Es dürfen, auf und in eine Entfernung, die kleinerermase als sicher vom Gerät bezeichnet wird, keine Gegenstände aus brennbaren Materilien (die kleinste Entfernung vom Brennbarem ist 10 cm) aufgestellt werden.
- Die sicheren Entfernungen von Massen der einzelnen Brenngra

Tabelle:

Baumassefeuerbrenngrad ins Brenngrad (EN) der Massen und Produkte eingegliedert

A	Unbrennbar	Granit, Sandstein, beton, Ziegel, Keramikbekleidung, Putz
B	nicht einfach brennbar	Akumin, Heraklit, Lihnos, Itaver
C1	schwer brennbar	Holz, Laubbaum, Furnier Sirkoklit, Festpapier, Umakart
C2	mittel brennbar	Holzspanplatten, Solodur, Korkplatten, Hartgummi, Bodenbeläge
C3	leicht brennbar	Holzfasерplatten, Polystyren, Polyureten, PVC

Die Bedarfsartikel müssen sicher installiert werden und sind mit regulierenbaren Beinchen - zur Ausgleichen der Höhe und der Unebenheiten eingestattet.

Die Geräte müssen in einer sicheren Weise installiert werden. Bei der Installation müssen weiter betreffende Projekt-, Sicherheits-, und Hygienevorschriften respektiert werden.

- EN 06 1008 Feuerschutz der örtlichen Geräte und der Wärmquellen
- EN 33 2000 Umgebung für elektrische Geräte

ROHR FÜR GASANSCHLÜSSEN

Es muss zuerst feststellen, ob das Gerät für die gleiche Art von Gas, das verwendet werden soll, wird und entspricht damit den auf dem Etikett die Art des Gases verwendet werden.

Die Umwandlung von Gas Pfanne auf eine andere Gasart müssen Sie überprüfen, ob es auf die Art der Gas-Lager, die in diesem Handbuch empfohlen wird, entspricht.

Anschließen des Gerätes an die Gasversorgung muss Anhängelast auf einer Stahl-oder Kupferrohr Beachtung der geltenden nationalen Anforderungen. Dies muss regelmäßig kontrolliert werden und bei Bedarf geändert. Jedes Gerät muss mit Absperrventil und schnelle Absperrventil ausgestattet sein. Schnell-Absperrventil muss frei zugänglich sein und innerhalb der Reichweite des Gerätes. Nach der Installation ist zu prüfen, ob es ein Gas austritt. Um ein Gasleck Sie Seifenwasser oder Spray zur Lecksuche können zu finden.

Verwenden Sie keine ätzenden Stoffen! Alle unsere Geräte werden sorgfältig kontrolliert. Gasart, Druck und der Kategorien auf der technischen Informationen Platte benannt.

Flüssiggas-Anschluss:

Der Druck für Flüssiggas-Verbindung muss 28 oder 30 mbar für Propan / Butan und 37 mbar für Propan sein. Es ist notwendig, um die technische Etikett überprüfen, messen den Druck und Kontrolle der Parameter der Düse wird mit den erforderlichen Parametern der Düse gemäß der Herstellerangaben installiert. Ist der Druck niedriger als 25mbar oder höher als 37 mbar, darf das Gerät nicht ANZUSCHLIESSEN.

Gas-Anschluss:

Der Druck für die Methan-Anschluss muss 18 oder 20 mbar betragen. Es ist notwendig, um die technische Etikett überprüfen, messen den Druck und Kontrolle der Parameter der Düse wird mit den erforderlichen Parametern der Düse gemäß der Herstellerangaben installiert. Wenn der Gasdruck niedriger ist als 15 mbar oder höher als 22,5 mbar, darf das Gerät nicht ANZUSCHLIESSEN.

ANLEITUNG FÜR ABSAUGUNG DER ABGASE

Geräte von Typ A (siehe Schild mit Charakteristiken).

Dieses Gerät ist nicht für Verbindung mit Raucherleitung oder mit anderem Gerät für Ausleitung der Abgase bestimmt. Dieses Gerät muss nur in ventilierten Räumen installiert werden. Die Ventilation muss Normen EN127010:1986 und EN127040:1986 antworten. In diesen Räumen verhindert man Anhäufung der gesundheitschädlichen Stoffen in unzulässige Konzentration (hygienische Vorschriften auf Arbeitsmilieu Bund 39/78 Richtlinie 46).

Kontrolle von Ansetzung an Gastyp

Kontrollieren Sie bitte, ob das Gerät für den Gastyp, den Sie benützen, anpasst. Auf dem Schild jedes Gerätes ist der Gastyp geschrieben.

Anweisung für Umbau auf anderen Gastypen

Die Geräte passen an Flüssiggas an (siehe Schild des Gerätes). Die Umbau auf anderen Gastyp muss ein qualifizierter Arbeiter machen. Die Düsen für anderen Gastyp finden Sie im Packung mit Enweisung.

Austausch von Hauptbrennerdüse: Bild D

Schrauben Sie die Unterdeckung ab (21), schrauben Sie die Düse ab (23a).
Schrauben Sie neue Düse zu (siehe Tabelle mit technischen Daten). Luftzuführung des Hauptbrenners braucht keine Korrigierung.

Wichtig:

Nach Umbau des Gerätes auf anderen Gastyp wechseln Sie bitte diese Angabe auch auf dem Schild des Gerätes.

Betriebskontrolle

- kontrollieren Sie eventuelle Gasentweiche,
- kontrollieren Sie Anbrennung und Flamme des Hauptbrenners,
- kontrollieren Sie Flamme des Hauptbrenners auf min. Leistung (sporo-das ist ökonomisch),
- versuchen Sie, ob Flamme des Brenners die Thermozelle ableckt und ob sie blau ist,
- wir empfehlen den Benützer bei Benützung des Gerätes nach dem Anweisung vorfahren.

Richtung der Flamme bei niedrigem Leistung

Die Flamme bei der Ansetzung des Hahnes auf min. Leistung (sporo) richtet man mit dem Schraubchen, der sich im Hahnkörper neben der Hahnwelle befindet..

Nach Richtung vorfahren Sie folgendermassen:

- nehmen Sie Regulierknopf des Hahnes ab (ziehen Sie zu Ihnen)
- neben der Hahnwelle ist Loch für richten,
- mit Hilfe von einem kleinen flachen Schrauber richten Sie die Flamme.

Wartung

Wir empfehlen mindestens einmal im Jahr das Gerät beim Fachservis kontrollieren zu lassen. Alle Angriffen kann nur qualifizierte Person machen, die dazu Erlaubnis hat.

Es ist wichtig einige Teilen auch während Lebensdauer des Gerätes austauschen:

piezzo Elektrode, Wächter der Thermosicherung.

Austausch von Piezoelektrode und Wächter der Thermosicherung: Bild D

Unterdeckung abschrauben und runternehmen (17). Der Halter von piezzo Elektrode und Wächter abschrauben (26). Piezzo Elektrode oder Wächter abkoppeln und demontieren. Die Montage der neuen Teilen machen Sie im Gegenfolge.

GEBRAUCHSANWEISUNG

Achtung! Wenn bei erster Einschaltung der Fry-Top raucht, ist es wichtig der Fry-Top leer im Betrieb lassen. Und das mindestens eine Stunde-bis über Geruch nicht verschwindet.

Anzündung des Hauptbrenners und Thermoregulation: Bilder A,B

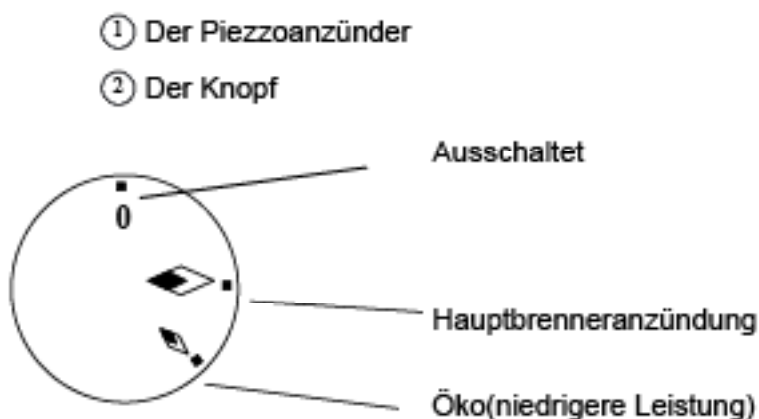
Geben Sie der Regulationsknopf (2) in die Position „Anzündung des Hauptbrenners“ und dann drücken Sie den Knopf und halten Sie ihn. Drücken Sie mehrmals Knopf des Piezzoanzünder (1) bis sich der Hauptbrenner anzündet. Die Flamme können Sie durch Lücke im Vorrtafel sehen. Nach Anzündung des Brenners halten Sie den Knopf Nr (2) einige Sekunden gedrückt bis Thermosicherung warm wird. Danach lockern Sie den Knopf. Wenn die Flamme erlischt, wiederholen Sie ganze Verfahren.

• Niedrigere Leistung (sporo)

Drehen Sie den Knopf in Position „sporo“. Damit stellen Sie Brennen für niedrigere Leistung (sporo).

• Ausschaltung des Gerätes

Drehen Sie den Knopf in Position „0“.



Schublade fürs Fettsammeln

Schublade muss man regelmässig kontrollieren und rechtzeitig leer machen. Schublade müssen Sie nach jeder Ausschaltung des Gerätes reinigen.

ACHTUNG! KURZ NACH AUSSCHALTUNG DES GERÄTES KANN SCHUBLADE NOCH HEISS SEIEN. MACHEN SIE DIE SCHUBLADE LEER WENN DAS GERÄT SCHON KALT IST.

BEMERKUNGE UND EMPFEHLUNGE

Die Geräte, die Kochfläche in zwei Teilen eingeteilt haben, kann man selbstständig regulieren. Es ist auch möglich nur eine Hälfte benützen. Benützen Sie das Gerät nur unter Aufsicht.

REINIGUNG UND INSTANDHALTUNG

Reinigen Sie das Gerät täglich nach der Benützung. Rostfreie Teile putzen Sie mit feuchtem Lappen und mit Waschmittel ohne groben Teilen. Danach spülen Sie alles mit reiner Wasser und trocknen Sie es. Für die Reinigung des Innenraumes ist der Brenner herausnehmbar. Die Rückseite des Brenners muss man aufheben und mit einer Rückbewegung kann man den Brenner aus der Vorderhalterungen herausziehen. Wenn das Gerät lange nicht benützt wird, impregnieren Sie die Oberfläche mit dünne Ölschichte.

VERFAHREN IM FALL DER STRÖRUNG DES GERÄTES

Schliessen Sie Gaszuleitung und rufen Sie Service organization des Verkäufers an.

Abfälle Ausnützung und Likvidation

Die Hülle-verkaufen Sie zur Sammelstelle, die Hüllfolie-geben Sie in Abfällecontainer für Plaste. Likvidation des Gerätes nach Verlaufender Lebensdauer. "Bedarfsartikel und seine Teile zur Sammelstelle verkaufen."

HINWEISE

Garantie bezieht sich nicht auf Bedarfsersatzteilen, die gewöhnlicher Abnützung unterliegen (gummi Dichtungen, plastische Teile usw.). Garantie bezieht sich auch nicht auf Anlage, deren Installation nicht im Einklang mit Anweisung und von berechtigtem Arbeiter nach entsprechenden Normen gemacht wurde, wenn mit Anlage unfachmännisch manipuliert wurde (Eingriffen zur innere Einrichtung) oder wenn das Gerät nicht mit verantwortlichem Arbeiter bedient wurde. Weiter bezieht es sich nicht auf Verletzung, die durch Natureinflüssen oder durch anderen Einflüssen verursacht wurde.

DÉCLARATION DE CONFORMITÉ

Le fabricant certifie la conformité des appareils aux normes 2009/142/ES à la loi n° 22/1997 sb., 258/2000 sb., 258/2000 sb. et aux décrets applicables. L'installation doit être effectuée dans le respect des normes en vigueur. Attention: le fabricant décline toute responsabilité en cas de dommages, directs ou indirects, causés par une mauvaise installation, par une utilisation, des interventions ou des modifications impropres, par un entretien insuffisant, ainsi qu'en cas de dommages dérivant des causes mentionnées dans les conditions de vente. L'appareil objet de la présente notice est prévu pour un usage professionnel, aussi son utilisation doit-elle être confiée à un personnel possédant les compétences nécessaires à cet effet. L'utilisateur ne doit procéder à aucune intervention ni à aucune modification sur les parties réglées et protégées par le fabricant ou autre personnel autorisé à cet effet.

CARACTÉRISTIQUES TECHNIQUES

L'étiquette sur laquelle figurent les caractéristiques techniques est apposée sur la partie postérieure de l'appareil. Avant de procéder à l'installation, prendre connaissance du schéma électrique et de toutes les informations que contient la présente notice.

Model	Burner	PUISSANCE(kW)	DIMENSIONS PLAQUE (cm)	DIMENSIONS TOTAL (cm)
FTH - 30 GL	1x 4,0 kW	4,0	32 x 48	33 x 60 x 29 v
FTR - 30 GL	1x 4,0 kW	4,0	32 x 48	33 x 60 x 29 v
FTH - 60 GL	2x 4,0 kW	8,0	65 x 48	66 x 60 x 29 v
FTHR - 60 GL	2x 4,0 kW	8,0	65 x 48	66 x 60 x 29 v
FTH-C - 30 GL	1x 4,0 kW	4,0	32 x 48	33 x 60 x 29 v
FTR-C - 30 GL	1x 4,0 kW	4,0	32 x 48	33 x 60 x 29 v
FTH-C - 60 GL	2x 4,0 kW	8,0	65 x 48	66 x 60 x 29 v
FTHR-C - 60 GL	2x 4,0 kW	8,0	65 x 48	66 x 60 x 29 v
FTH - 90 GL	3x 4,0 kW	12,0	97 x 48	99 x 60 x 29 v
FTH - C - 90 GL	3x 4,0 kW	12,0	97 x 48	99 x 60 x 29 v

Model	Burner	PUISSANCE(kW)	DIMENSIONS PLAQUE (cm)	DIMENSIONS TOTAL (cm)
FTH - 30 G	1x 4,0 kW	4,0	32 x 48	33 x 60 x 22 v
FTR - 30 G	1x 4,0 kW	4,0	32 x 48	33 x 60 x 22 v
FTH - 60 G	2x 4,0 kW	8,0	65 x 48	66 x 60 x 22 v
FTHR - 60 G	2x 4,0 kW	8,0	65 x 48	66 x 60 x 22 v
FTH-C - 30 G	1x 4,0 kW	4,0	32 x 48	33 x 60 x 22 v
FTR-C - 30 G	1x 4,0 kW	4,0	32 x 48	33 x 60 x 22 v
FTH-C - 60 G	2x 4,0 kW	8,0	65 x 48	66 x 60 x 22 v
FTHR-C - 60 G	2x 4,0 kW	8,0	65 x 48	66 x 60 x 22 v
FTH - 90 G	3x 4,0 kW	12,0	97 x 48	99 x 60 x 22 v
FTH - C - 90 G	3x 4,0 kW	12,0	97 x 48	99 x 60 x 22 v

BURNERS

MODEL	NOZZLE	Burner	12,8 kWh/kg G 30/G 31 PROPAN / BUTAN 28 - 30 mbar	12,8 kWh/kg G 31 PROPAN 37 mbar	12,8 kWh/kg G 30/G 31 PROPAN / BUTAN 50 mbar	9,45 kWh/m ³ G 20 Naturel GAS 20 mbar	TUYAU DE JONCTION POUR LE GAZ
FT**-30	NOZZLE OF BURNER 1/100 MM	4,0 kW	93	93	77	135	G 1/2"
	CONSUPTION	4,0 kW	0,546 kg/h	0,546 kg/h	0,546 kg/h	0,74 m ³ /h	---
FT**-60	NOZZLE OF BURNER 1/100 MM	2x 4,0 kW	93	93	77	135	G 1/2"
	CONSUPTION	2x 4,0 kW	1,092 kg/h	1,092 kg/h	1,092 kg/h	1,148 m ³ /h	---
FT**-90	NOZZLE OF BURNER 1/100 MM	3x 4,0 kW	93	93	77	135	G 1/2"
	CONSUPTION	3x 4,0 kW	1,638 kg/h	1,638 kg/h	1,638 kg/h	2,22 m ³ /h	---

CONTROLE DE L'EMBALLAGE ET DE L'APPAREIL

En vue de son transport, l'appareil quitte les établissements du fabricant parfaitement emballé (sur l'emballage sont apposés les étiquettes et les symboles nécessaires à cet effet). L'emballage contient également la notice des instructions d'utilisation. Dans le cas où l'emballage présenterait des dommages ainsi que dans le cas où il s'avérerait qu'il a été manipulé sans les précautions nécessaires, il est impératif d'adresser sans attendre une déclaration au transporteur en y joignant une acceptation de la marchandise sous réserve.

Recommandation importante:

- La présente notice des instructions d'utilisation et d'entretien contient d'importantes informations relatives à la sécurité, à l'installation et à l'utilisation; il est nécessaire d'en effectuer attentivement la lecture.
- Les recommandations se réfèrent à l'appareil objet de la présent notice.
- L'appareil est conforme aux normes en vigueur.
- Veiller à bien conserver la notice de telle sorte qu'elle puisse être consultée à tout moment en cas de besoin.
- Ne pas laisser des enfants s'approcher de l'appareil durant son utilisation.
- Pendant la vente ou après le déménagement de l'appareil vérifier que le personnel lise attentivement la présente notice d'utilisation
- L'appareil ne peut être utilisé que par le personnel instruit
- L'appareil ne peut être laissé en marche sans surveillance
- Il est recommandé de faire l'appareil contrôler au moins une fois par an dans un service spécialisé
- Ne pas utiliser que des pièces détachées originelles.
- En cas de défaut ou de mauvaise fonction, débrancher l'appareil (eau, gaz, électricité) et appeler un service spécialisé
- Le fabricant décline toute responsabilité en cas de dommages, directs ou indirects, causés par une mauvaise installation, utilisation, etc

LA LOCATION

Le local dans lequel l'appareil est installé doit être bien ventilé. Si l'appareil doit toucher le parois, celui-ci doit résister à la chaleur de 60°C au minimum. L'installation, le réglage et la mise en marche doivent être effectués par une personne qualifiée ayant une autorisation nécessaire selon les normes en vigueur.

Déballer l'appareil et vérifiez s'il n'était pas endommagé pendant le transport. Placez l'appareil sur une surface horizontale (pente maximale de 2°). Placez l'appareil sous une hotte pour éliminer la vapeur et mauvaise odeur.

L'appareil peut être installé seul ou en série avec d'autres appareils de notre fabrication. Il faut respecter la distance minimale de 10 cm entre l'appareil et d'autres objets ainsi qu'éviter le contact avec les matériaux inflammables. Dans ce cas il faut prévoir les arrangements nécessaires pour assurer la protection des parties inflammables.

INSTRUCTIONS TECHNIQUES POUR INSTALLATION ET REGLEMENT

Important:

Le fabricant ne fournit pas de garantie pour les défauts causés par l'usage, tout manquement impropre aux instructions contenues dans les instructions ci-jointes pour l'utilisation et aux mauvais traitements des appareils.

Installation, réglage et réparation d'appareils pour les cuisines, ainsi que leur élimination en raison de dommages possibles au gaz peut être effectuée qu'en vertu d'un contrat de maintenance, ce contrat peut être signé avec un distributeur agréé, et doivent être conformes à la réglementation technique et normes et réglementations concernant l'installation, l'alimentation, de raccordement de gaz et de la santé et la sécurité du système.

Ces instructions sont destinées au technicien qualifié qui doit effectuer l'installation, le mettre en marche et tester l'appareil.

MÉSURES DE SÉCURITÉ POUR LA PROTECTION CONTRE INCENDIE SELON EN 06 1008 ARTICLE 21:

- l'appareil ne peut être utilisé que par des personnes majeures
- l'appareil peut être utilisé dans un espace ordinaire selon EN 332000-4-482; 332000-4-42
- l'appareil doit être placé ou suspendu d'une manière stable sur une surface ininflammable

Il est interdit de placer sur l'appareil ou dans la distance inférieure à 10 cm de l'appareil des objets inflammables.

- les distances de sécurité pour les matériaux inflammables selon leurs degré d'inflammabilité et les informations sur l'inflammabilité des matériaux de construction – voir le tableau

Tableau:

degré d'inflammabilité d'un matériel de construction (EN 730823)

A ininflammables	granit, grès, béton, briques, carrelage céramique, enduit
B difficilement inflammables	acumin, héraclite, lihnos, itaver
C1 mal inflammables	bois des arbres feuillus, contre-plaqué, papier durci, umakart
C2 inflammabilité moyenne	aggloméré, solodur, liège, caoutchouc, revêtements
C3 inflammabilité facile	planches de fibre de bois, polystyrène, polyurethane, PVC

L'appareil doit être installé d'une manière sûre. Pour l'ajustage de l'appareil est ce-ci procuré des pieds réglables.

- EN 06 1008 protection contre incendie des consommateurs d'énergie locaux et des émetteurs de chaleur
- EN 33 2000 le milieu pour les appareil électriques

Tuyau d'amenée du gaz:

Le gaz doit être amené par le tuyau en inox zinguée, en cuivre ou par un tuyau flexible en inox, selon les normes en vigueur. Chaque appareil doit avoir un robinet pour arrêter l'amenée du gaz facilement. Après l'installation, il faut vérifier les fuites du gaz possibles. Ne jamais vérifier à l'aide du feu ouvert, ne pas utiliser les produits corrosifs. On peut utiliser p.e. l'eau au savon. L'appareil a été contrôlé par le fabricant, les données sur le type du gaz, la pression et sur le type de l'appareil sont mentionnées sur l'étiquette.

Tirage des gaz de combustion

L'appareil du type A (voir l'étiquette)

Les appareils du type A (donc les appareils pas reliés avec une cheminée) doivent être installés dans les locaux bien aérés selon les normes en vigueur, pour prévenir la cumulation des substances nuisantes à la santé dans les concentrations dangereuses.

Tuyau d'amenée du gaz:

Le gaz doit être amené par le tuyau en inox zinguée, en cuivre ou par un tuyau flexible en inox, selon les normes en vigueur. Chaque appareil doit avoir un robinet pour arrêter l'amenée du gaz facilement. Après l'installation, il faut vérifier les fuites du gaz possibles. Ne jamais vérifier à l'aide du feu ouvert, ne pas utiliser les produits corrosifs. On peut utiliser p.e. l'eau au savon. L'appareil a été contrôlé par le fabricant, les données sur le type du gaz, la pression et sur le type de l'appareil sont mentionnées sur l'étiquette.

Contrôle du réglage de l'appareil sur le type du gaz :

Vous devrez vérifier si l'appareil est conçu pour le gaz que vous utilisez. Sur l'étiquette de chaque appareil le type du gaz auquel l'appareil est adapté, est mentionné.

Instructions pour l'adaptation à d'autres types du gaz :

L'appareil est ajusté et contrôlé pour l'usage avec le gaz liquéfié (voir l'étiquette de l'appareil). L'adaptation à un autre type du gaz doit être effectuée par la personne qualifiée, les buses pour l'autre type du gaz et la notice d'installation se trouvent dans le sachet.

L'échange de la buse du brûleur principal : tab. D

Déviser et dégager le couvercle du bas (21)

Déviser la buse (23a) et ajuster la nouvelle buse adaptée au type du gaz souhaité selon le tableau des données techniques.

Il ne faut pas ajuster l'amenée de l'air pour le brûleur principal.

Important :

Après l'adaptation à un autre type du gaz, il faut corriger le type du gaz sur l'étiquette de l'appareil.

Contrôle du fonctionnement de l'appareil:

- vérifiez les fuites de gaz possibles
- vérifiez la mise en flamme et la flamme du brûleur principal
- vérifiez le fonctionnement du brûleur principal dans la position flamme minimale (économique)
- vérifiez si la flamme touche le thermoélément et si la flamme reste bleue
- il est strictement recommandé d'utiliser l'appareil selon le mode d'emploi

Réglage de la flamme minimale (économique) :

La flamme minimale peut être réglée à l'aide du vis placé dans le corps du robinet du réglage.

Pour régler la flamme il faut :

- retirez le bouton de réglage (par un trait vers soi)
- à côté de l'arbre de robinet et un trou pour réglage
- à l'aide d'un petit tournevis réglez la flamme

Avant la première utilisation enlevez la feuille de protection !

MODE D'EMPLOI

Il est recommandé de faire l'appareil contrôler au moins tous les douze mois par le service spécialisé. Tous les interventions peuvent être effectuées uniquement par la personne qualifiée, ayant le permis d'effectuer ce type des travaux.

Certaines parties peuvent nécessiter l'échange pendant la vie de l'appareil :
piezzo électrode, sonde thermique

L'échange de la piezzo électrode ou de la sonde thermique : tab.D

Déviser et dégager le couvercle du bas (17). Déviser le joint de l'électrode piezzo et de la sonde thermique (26). Débrancher et démonter l'électrode piezzo (27) ou la sonde thermique (23). Pour le montage du nouvel élément utiliser le procédé inverse.

Attention ! Si, pendant la première utilisation, la plaque dégage de la fumée, il faut laisser l'appareil marcher à vide au moins pendant une heure, jusqu'à la disparition de l'odeur.

Allumage du brûleur principal et régulation de la puissance thermique : tab. A, B

Mettre le bouton du robinet (2) dans la position « l'allumage du brûleur principal », appuyer sur lui et tenir, appuyer plusieurs fois sur le bouton de l'allumeur piezzo jusqu'à ce que le brûleur principal ne s'allume. Vous pouvez voir la flamme à travers le trou dans le panneau frontal. Tenez le bouton (2) encore pendant quelques secondes jusqu'à ce que la sonde thermique ne se chauffe, puis lâchez le bouton. Si la flamme s'éteint, repetez le procédé.

- la flamme économique tab. A, B

Mettez le bouton (2) dans la position « flamme économique », ainsi la flamme est minimalisé pour la consommation économique.

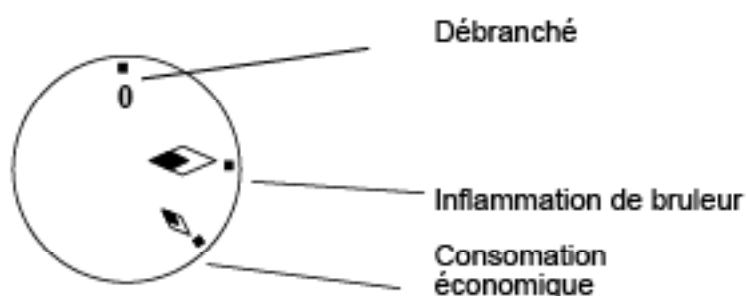
- pour éteindre l'appareil tab. A, B

Mettez le bouton (2) dans la position « 0 ».



① Piezzo

② Bouton



Réceptacle de la graisse

Vérifier régulièrement le réceptacle et le vider à temps. Une fois l'appareil éteint, il faut vider le réceptacle.

ATTENTION! LE RÉCIPIENT DE LA GRAISSE PEUT DEVENIR TRES CHAUD AU COURS DE L'UTILISATION! VIDER LE RECIPIENT DE L'APPAREIL DEJA REFROIDI UNIQUEMENT.

Notices et recommandations

Les appareils avec la plaque de cuisson divisée en deux parties (GL – 60G) – il est possible de régler une température différente sur chaque moitié ou bien n'utiliser qu'une moitié de la plaque. Utiliser l'appareil uniquement sous surveillance

NETTOYAGE ET ENTRETIEN

Il est recommandé de faire contrôler l'appareil dans un service spécialisé au moins une fois par an. Toutes les interventions peuvent être effectuées seulement par une personne qualifiée ayant une autorisation pour ces interventions.

ATTENTION ! L'appareil ne peut pas être nettoyé sous l'eau courante ou de pression. Nettoyer l'appareil chaque jour. Nettoyage quotidien prolonge la vie et le fonctionnement de l'appareil. Avant le nettoyage vérifier, si l'appareil est débranché. Toujours débrancher l'alimentation principale. Les pièces en inox nettoyer à l'aide d'un torchon humide et un détergent sans particules abrasives, rincer, sécher. Ne jamais utiliser les produits abrasifs ou corrosifs.

Comment procéder en cas de panne de l'appareil

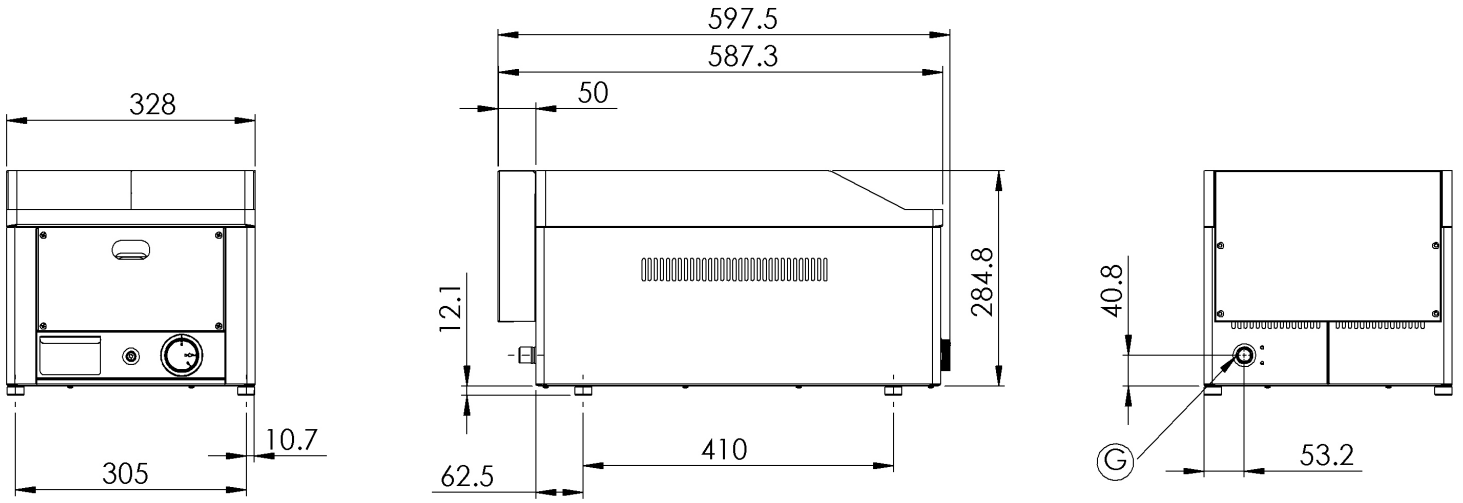
Débrancher l'appareil et appeler le service spécialisé.

AVERTISSEMENT:

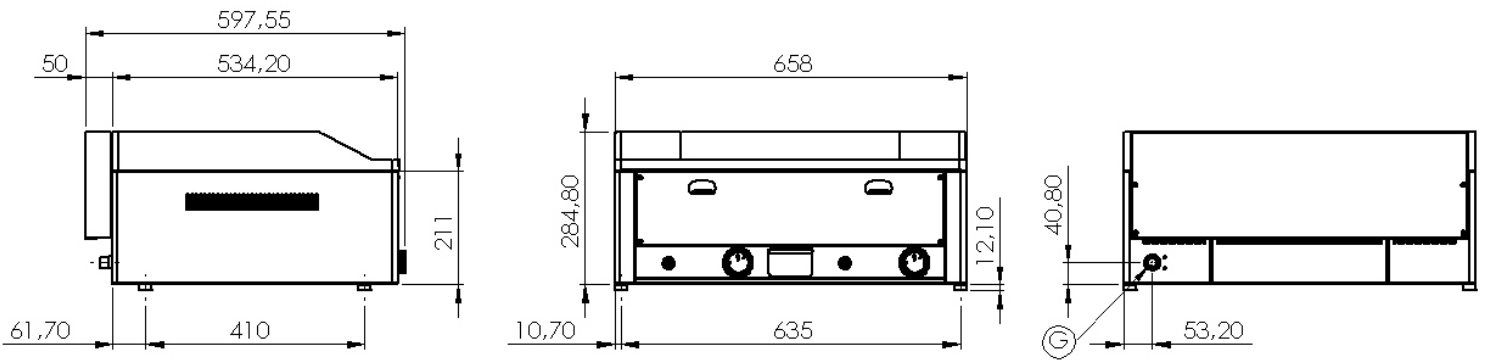
La garantie ne concerne pas les bourrelets en caoutchouc, bulbes, parties en verre et en plastique. Elle ne concerne également pas tout l'appareil si l'installation n'a pas été effectuée par une personne qualifiée selon le mode d'installation ou selon les normes en vigueur ou si l'appareil n'a pas été utilisé selon le mode d'emploi, s'il y avait des interventions nonprofessionnelles (interventions à l'intérieur de l'appareil). La garantie ne concerne pas les endommagements causés par la pluie, vent, etc.

Dimension

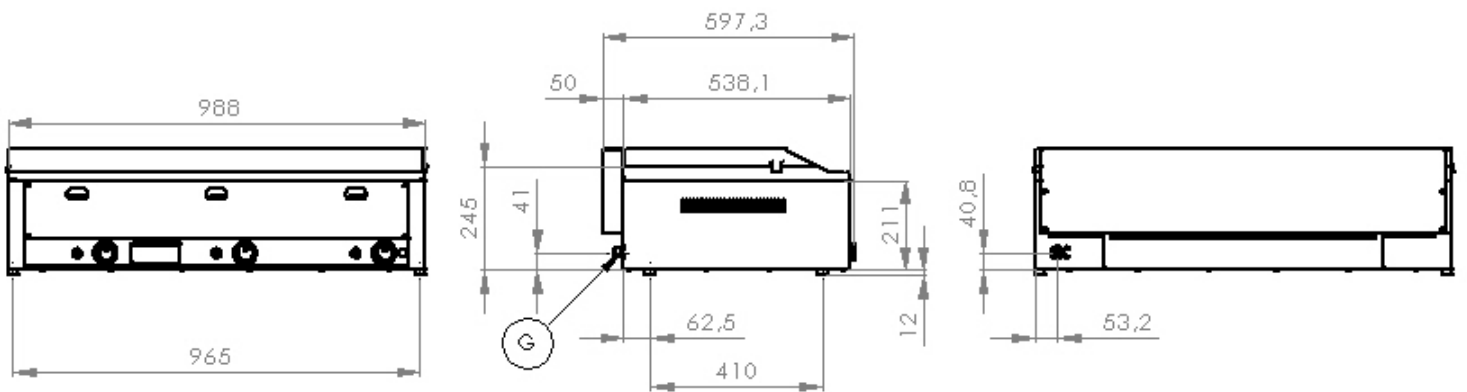
FT** 30 G



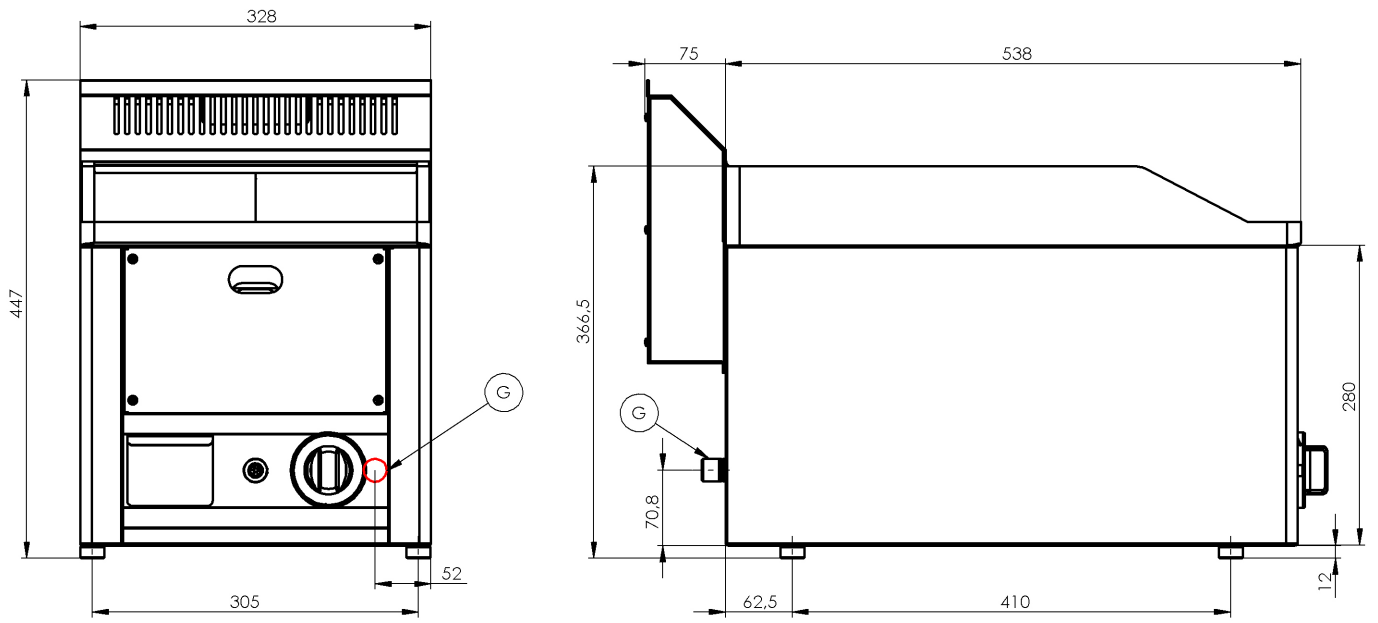
FT** 60 G



FT** 90 G



FT** 30 GL



FT** 90 GL

