

# MOD:XEBC-06EU-GPLM



## ENGLISH

## TECHNICAL DATA

|                                            |                                                                                    |
|--------------------------------------------|------------------------------------------------------------------------------------|
| 01 POWER                                   | 1 kW                                                                               |
| 03 FREQUENCY                               | 50 / 60 Hz                                                                         |
| 04 POWER SUPPLY CABLE TYPE                 | H07RN-F                                                                            |
| 05 EXTERNAL Ø OF POWER SUPPLY CABLE        | 12 mm                                                                              |
| 06 VOLTAGE / POWER CABLE SECTION / CURRENT | 220-240 V~1PH+N+PE<br>3G x 1,5 mm <sup>2</sup><br>Circuit Breaker 16 A<br>I1=4,5 A |
| 10 WATER PRESSURE                          | 150-600 kPa / 21-87 psi kPa                                                        |
| 11 MAX FOOD LOAD                           | 30 kg                                                                              |
| 13 WATER MAX CONSUMPTION                   | 9.8 l/h @ 200 kPa                                                                  |
| 16 GAS NOMINAL HEAT INPUT                  | 19 kW                                                                              |
| 17 TOTAL NOMINAL HEAT INPUT                | 19 kW                                                                              |
| 18 CAVITY DIMENSIONS ( W - D - H )         | 716x561x560 mm                                                                     |
| 20 IP PROTECTION CLASS                     | IPX4                                                                               |

## ITALIANO

|                                                     |                                                                                    |
|-----------------------------------------------------|------------------------------------------------------------------------------------|
| 01 POTENZA                                          | 1 kW                                                                               |
| 03 FREQUENZA                                        | 50 / 60 Hz                                                                         |
| 04 TIPO DI CAVO ALIMENTAZIONE                       | H07RN-F                                                                            |
| 05 Ø ESTERNO CAVO DI ALIMENTAZIONE                  | 12 mm                                                                              |
| 06 TENSIONE / SEZIONE CAVI ALIMENTAZIONE / CORRENTE | 220-240 V~1PH+N+PE<br>3G x 1,5 mm <sup>2</sup><br>Circuit Breaker 16 A<br>I1=4,5 A |
| 10 PRESSIONE ACQUA                                  | 150-600 kPa / 21-87 psi kPa                                                        |
| 11 CARICA MAX CIBO                                  | 30 kg                                                                              |
| 13 CONSUMO MAX ACQUA                                | 9.8 l/h @ 200 kPa                                                                  |
| 16 POTENZA TERMICA NOMINALE GAS                     | 19 kW                                                                              |
| 17 POTENZA TERMICA NOMINALE TOTALE                  | 19 kW                                                                              |
| 18 DIMENSIONI CAMERA COTTURA ( L - P - H )          | 716x561x560 mm                                                                     |
| 20 GRADO PROTEZIONE IP                              | IPX4                                                                               |

## FRANCAIS

|                                                |                                                                                    |
|------------------------------------------------|------------------------------------------------------------------------------------|
| 01 PUISSANCE ELECTRIQUE                        | 1 kW                                                                               |
| 03 FREQUENCE                                   | 50 / 60 Hz                                                                         |
| 04 TYPE DE CABLE D'ALIMENTATION                | H07RN-F                                                                            |
| 05 Ø EXTERNE DU CABLE D'ALIMENTATION           | 12 mm                                                                              |
| 06 TENSION / SECTION CABLE D'ALIM.             | 220-240 V~1PH+N+PE<br>3G x 1,5 mm <sup>2</sup><br>Circuit Breaker 16 A<br>I1=4,5 A |
| 10 PRESSION DE L'EAU                           | 150-600 kPa / 21-87 psi kPa                                                        |
| 11 CHARGE MAXIMALE D'ALIMENT                   | 30 kg                                                                              |
| 13 CONSOMMATION MAX DE L'EAU                   | 9.8 l/h @ 200 kPa                                                                  |
| 16 PUISSANCE THERMIQUE NOMINAL GAZ             | 19 kW                                                                              |
| 17 TOTAL DEBIT THERMIQUE NOMINAL               | 19 kW                                                                              |
| 18 DIMENSIONS CHAMBRE DE CUISSON ( L - P - A ) | 716x561x560 mm                                                                     |
| 20 INDICE DE PROTECTION IP                     | IPX4                                                                               |

## ESPAÑOL

|                                                   |                                                                                    |
|---------------------------------------------------|------------------------------------------------------------------------------------|
| 01 POTENCIA                                       | 1 kW                                                                               |
| 03 FRECUENCIA                                     | 50 / 60 Hz                                                                         |
| 04 TIPO DE CABLE DE ALIMENTACION                  | H07RN-F                                                                            |
| 05 Ø CABLE EXTERNO DE ALIMENTACION                | 12 mm                                                                              |
| 06 TENSION / SECCION CABLES DE ALIMENTACION       | 220-240 V~1PH+N+PE<br>3G x 1,5 mm <sup>2</sup><br>Circuit Breaker 16 A<br>I1=4,5 A |
| 10 PRESION AGUA                                   | 150-600 kPa / 21-87 psi kPa                                                        |
| 11 CARGA MAX. DE ALIMENTOS                        | 30 kg                                                                              |
| 13 CONSUMO MAX DE AGUA                            | 9.8 l/h @ 200 kPa                                                                  |
| 16 POTENCIA TÉRMICA NOMINAL GAS                   | 19 kW                                                                              |
| 17 TOTALE POTENCIA TERMICA NOMINAL                | 19 kW                                                                              |
| 18 DIMENSIONES CÁMARA DE COCCIÓN ( An - Pr - Al ) | 716x561x560 mm                                                                     |
| 20 GRADO DE PROTECCION IP                         | IPX4                                                                               |

## DEUTSCH

|                                             |                                                                                    |
|---------------------------------------------|------------------------------------------------------------------------------------|
| 01 ELEKTRISCHE LEISTUNG                     | 1 kW                                                                               |
| 03 FREQUENZ                                 | 50 / 60 Hz                                                                         |
| 04 ZULEITUNGSKABELTYP                       | H07RN-F                                                                            |
| 05 AUSSENDURCHMESSER DES VERSORGUNGSKABELS  | 12 mm                                                                              |
| 06 KABELQUERSCHNITT UND VERSORGUNGSSPANNUNG | 220-240 V~1PH+N+PE<br>3G x 1,5 mm <sup>2</sup><br>Circuit Breaker 16 A<br>I1=4,5 A |
| 10 WASSERDRUCK                              | 150-600 kPa / 21-87 psi kPa                                                        |
| 11 MAX. SPEISENFASSUNGSVERMOGEN             | 30 kg                                                                              |
| 13 MAXIMUM WASSERVERBRAUCH                  | 9.8 l/h @ 200 kPa                                                                  |
| 16 GAS NENNWÄRMELEISTUNG                    | 19 kW                                                                              |
| 17 NENNWÄRMEBELASTUNG                       | 19 kW                                                                              |
| 18 GRÖÖE DES KOCHKAMMERS ( B - T - H )      | 716x561x560 mm                                                                     |
| 20 SCHTZART IP                              | IPX4                                                                               |



# MOD:XEBC-06EU-GPLM



## ENGLISH - DRAWINGS

|    |                             |
|----|-----------------------------|
| 2  | TERMINAL BOARD POWER SUPPLY |
| 3  | UNIPOTENTIAL TERMINAL       |
| 6  | TECHNICAL DATA PLATE        |
| 7  | SAFETY THERMOSTAT           |
| 8  | 3/4" THREAD WATER INLET     |
| 9  | 3/4" GAS INLET              |
| 10 | Rotor.KLEAN CONNECTION      |
| 11 | CAVITY DRAIN PIPE           |
| 12 | HOT FUMES EXHAUST CHIMNEY   |
| 13 | ACCESSORIES CONNECTION      |
| 27 | COOLING AIR OUTLET          |
| 30 | COMBUSTION GASSES EXHAUST   |

## ITALIANO - DISEGNI

|    |                               |
|----|-------------------------------|
| 2  | MORSETTIERA ALIMENTAZIONE     |
| 3  | MORSETTO EQUIPOTENZIALE       |
| 6  | TARGHETTA DATI TECNICI        |
| 7  | TERMOSTATO DI SICUREZZA       |
| 8  | INGRESSO ACQUA 3/4"           |
| 9  | INGRESSO GAS 3/4"             |
| 10 | INGRESSO Rotor.KLEAN          |
| 11 | SCARICO CAMERA DI COTTURA     |
| 12 | USCITA FUMI CALDI             |
| 13 | COLLEGAMENTO ACCESSORI        |
| 27 | USCITA ARIA DI RAFFREDDAMENTO |
| 30 | USCITA FUMI COMBUSTI          |

## FRANCAIS - ENCOMBREMEN

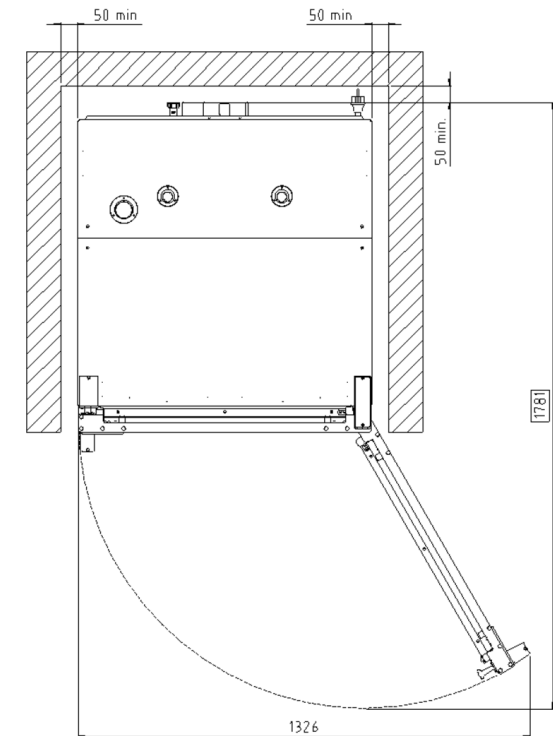
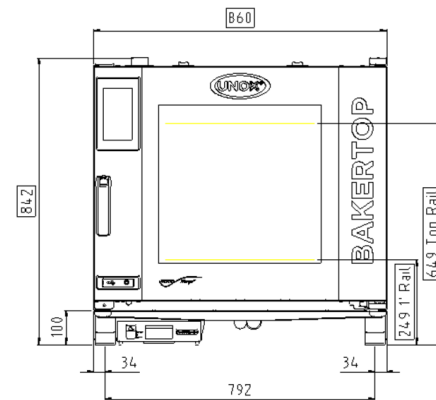
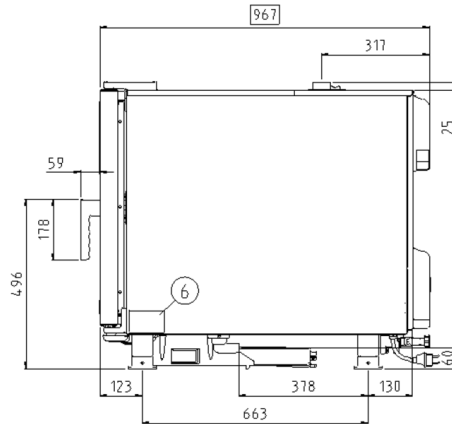
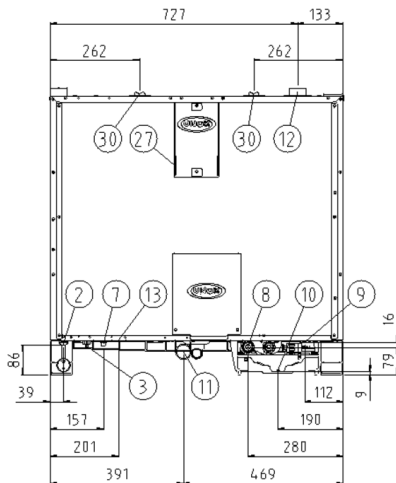
|    |                                 |
|----|---------------------------------|
| 2  | BOITE A BORNES D'ALIMENTATION   |
| 3  | SUPPORT BORNE EQUIPOTENTIELLE   |
| 6  | PLAQUETTE SIGNALÉTIQUE          |
| 7  | THERMOSTAT DE SÉCURITÉ          |
| 8  | ARRIVÉ D'EAU FIÉLT 3/4"         |
| 9  | ARRIVÉ DU GAS 3/4"              |
| 10 | ENTRÉE Rotor.KLEAN              |
| 11 | SORTIE DE L'EAU RACCORD         |
| 12 | SORTIE DES FUMÉES CHAUDES       |
| 13 | JONCTION DES ACCESSOIRES        |
| 27 | SORTIE D'EAU DE REFOUÏSSEMENT   |
| 30 | SORTIE DES FUMÉES DE COMBUSTION |

## ESPAÑOL - DISEÑOS

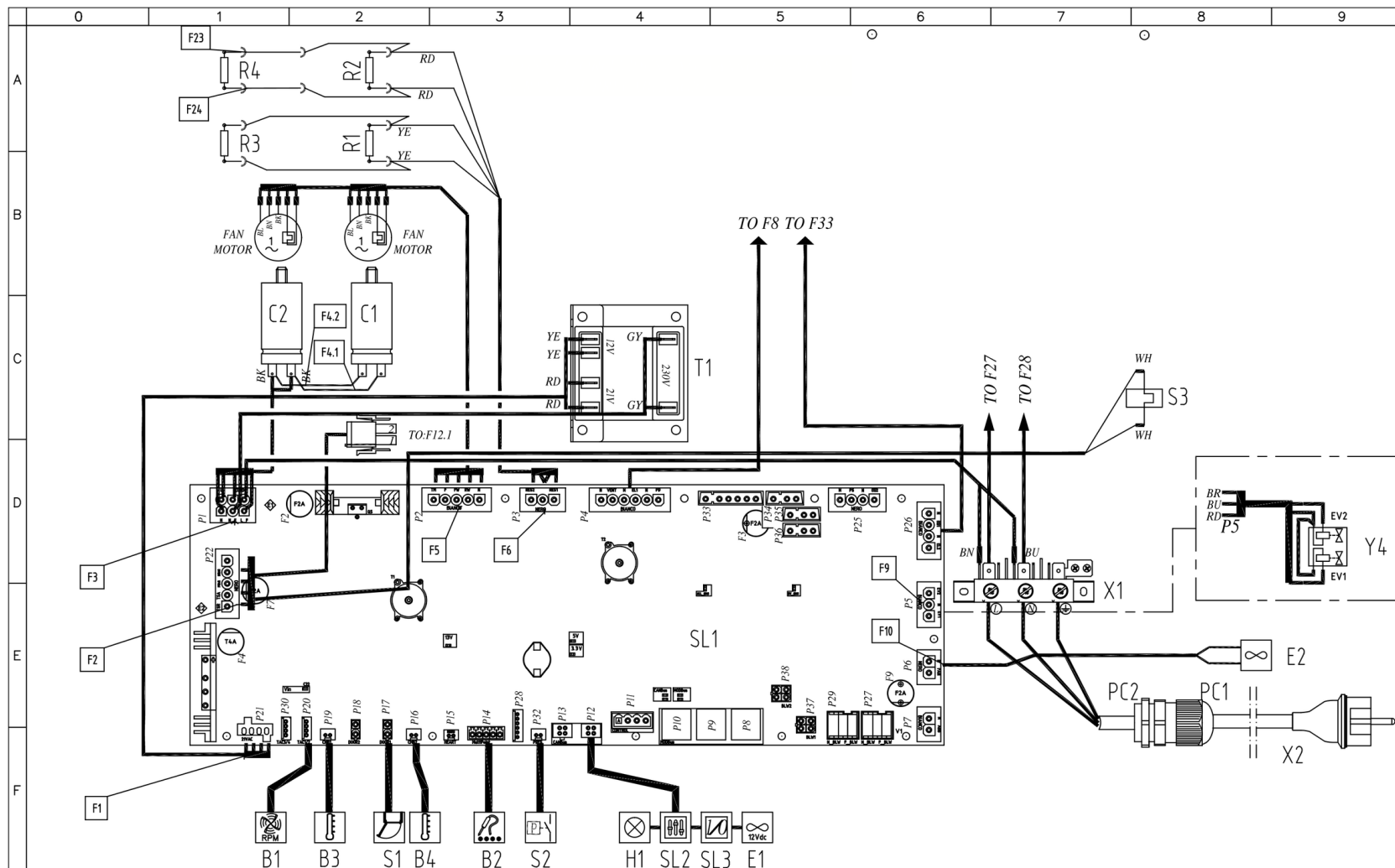
|    |                                     |
|----|-------------------------------------|
| 2  | CAJA DE CONEXION                    |
| 3  | SEDE BORNE EQUIPOTENCIAL            |
| 6  | TARJETA DE CARACTERISTICAS TECNICAS |
| 7  | TERMOSTATO DE SEGURIDAD             |
| 8  | ENTRADA DE AGUA 3/4"                |
| 9  | ENTRADA DE GAS 3/4"                 |
| 10 | INGRESO Rotor.KLEAN                 |
| 11 | DESCARGA CAMARA DE COCCION          |
| 12 | SALIDA HUMOS CALIENTES              |
| 13 | CONEXION ACCESORIOS                 |
| 27 | SALIDA DEL AIRE DE ENFRIAMIENTO     |
| 30 | SALIDA HUMOS DE COMBUSTIÓN          |

## DEUTSCH - ZEICHNUNGEN

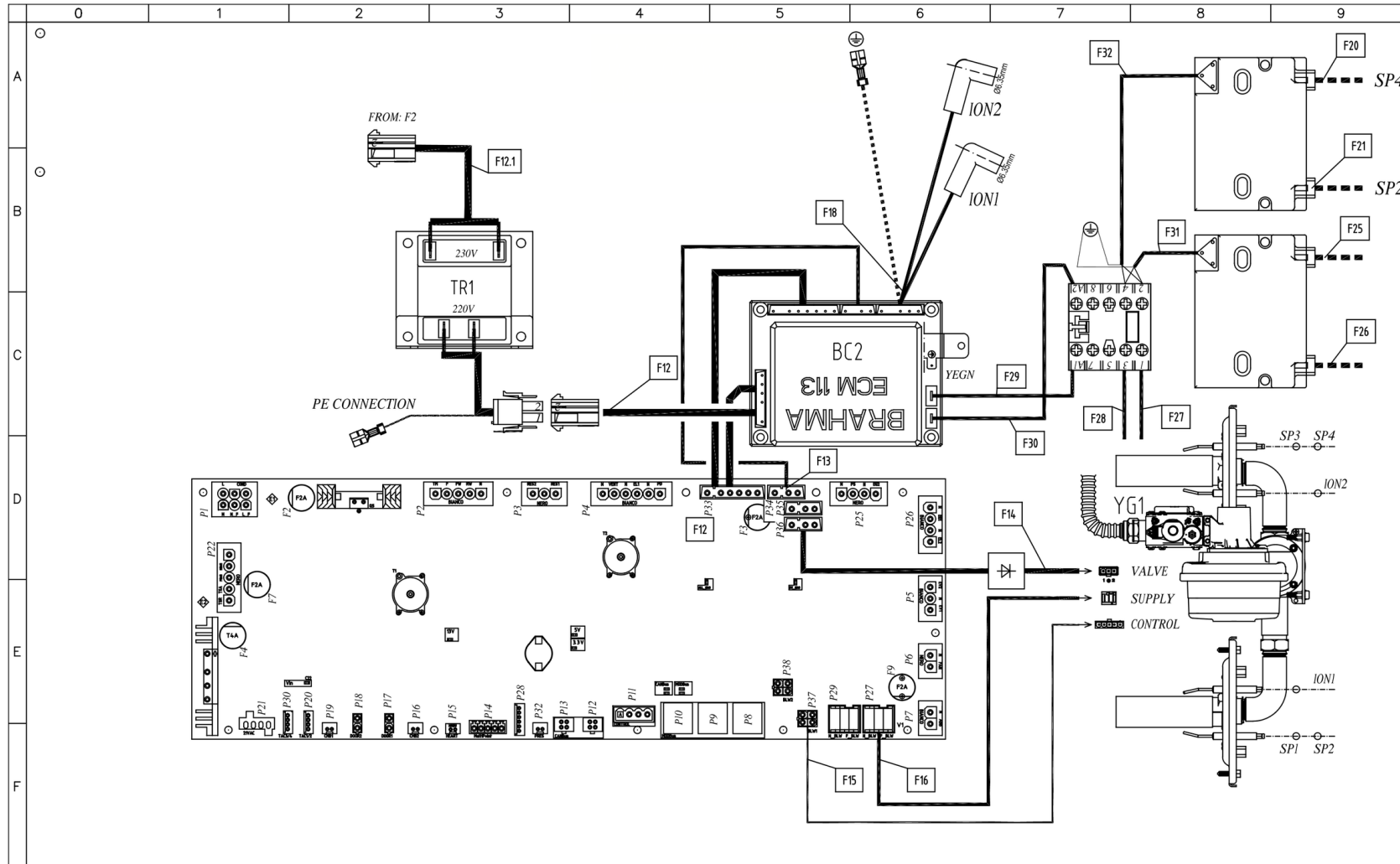
|    |                           |
|----|---------------------------|
| 2  | ZULEITUNGSKLEMMLEISTE     |
| 3  | GLEICHPOTENTIELLE KLAMMER |
| 6  | TYPENSCHILD               |
| 7  | SICHERHEITSTHERMOSTAT     |
| 8  | WASSEREINZUG 3/4" GEWINDE |
| 9  | GAS EINZUG 3/4" GEWINDE   |
| 10 | Rotor.KLEAN EINGANG       |
| 11 | WASSERAUSLASS GEWINDE     |
| 12 | ABZUGSHAUBE               |
| 13 | ZUBEHÖRTEILENVERBINDUNG   |
| 27 | KÜHLLUFTAUSTRITT          |
| 30 | ABGASKAMIN                |



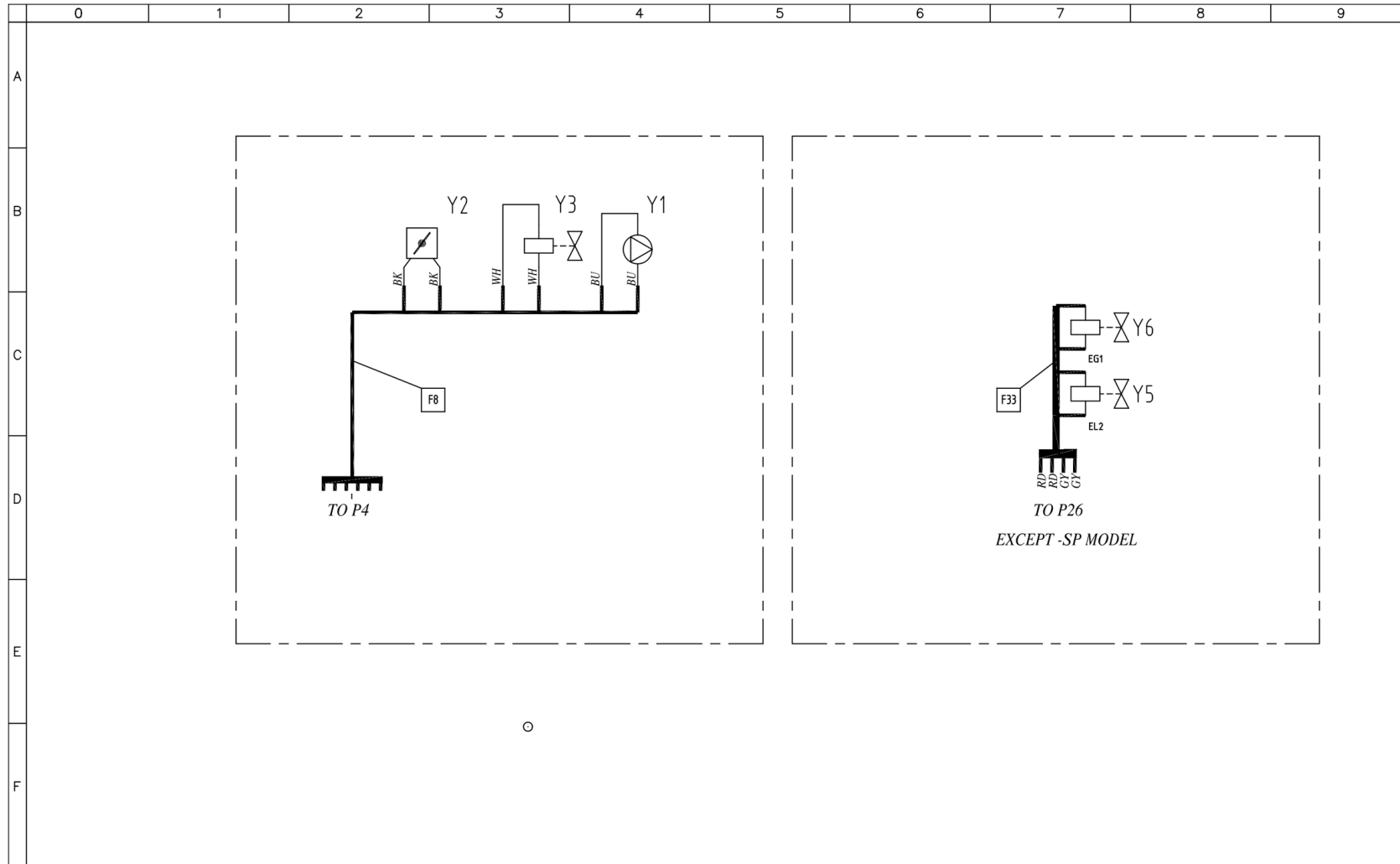
# MOD:XEBC-06EU-GPLM



# MOD:XEBC-06EU-GPLM



# MOD:XEBC-06EU-GPLM



# MOD:XEBC-06EU-GPLM



|   | 0           | 1                                     | 2                             | 3                                    | 4                                | 5                        | 6       | 7       | 8 | 9 |
|---|-------------|---------------------------------------|-------------------------------|--------------------------------------|----------------------------------|--------------------------|---------|---------|---|---|
| A |             |                                       |                               |                                      |                                  |                          |         |         |   |   |
|   | Ⓞ           | Sigle                                 |                               | ITALIANO                             | ENGLISH                          | FRANCAIS                 | ESPAÑOL | DEUTSCH |   |   |
| B | B1          | SENSORE VELOCITA MOTORE               | MOTOR SPEED SENSOR            | CAPTEUR DE VITESSE MOTEUR            | SENSOR DE VELOCIDAD MOTOR        | GESCHWINDIGKEITSENSOR    |         |         |   |   |
|   | B3          | SONDA CAMERA                          | TEMPERATURE PROBE             | SONDE DE CHAMBRE                     | SONDA CAMARA                     | GARRAUMTEMPERATURFUHLER  |         |         |   |   |
|   | SL1         | SCHEDA POTENZA                        | POWER CARD                    | CARTE DE PUISSANCE                   | TARJETA POTENCIA                 | POWERPLATINE             |         |         |   |   |
|   | T2,T3       | TRASFORMATORE D'ACCENSIONE            | IGNITION TRANSFORMER          | TRANSFORMATEUR D'ALLUMAGE            | TRANSFORMADOR D'INGICION         | ZÜNDTRASFORMATOR         |         |         |   |   |
| C | TR1         | TRASFORMATORE                         | TRANSFORMER                   | TRANSFORMATEUR                       | TRANSFORMADOR                    | TRASFORMATORE            |         |         |   |   |
|   | YG1         | ELETTROVALVOLA GAS                    | GAS VALVE                     | ROBINET DE GAZ                       | VALVULA DE GAS                   | GAS VENTIL               |         |         |   |   |
|   | B2          | SONDA AL CUORE                        | CORE PROBE                    | SONDE A COEUR                        | SONDA CORAZON                    | KERNTEMPERATURFUHLER     |         |         |   |   |
|   | B4          | SONDA CAMERA                          | TEMPERATURE PROBE             | SONDE DE CHAMBRE                     | SONDA CAMARA                     | GARRAUMTEMPERATURFUHLER  |         |         |   |   |
| D | BC2         | CONTROLLO FIAMMA                      | FLAME CONTROL DEVICE          | FLAMME RELEVATRICE                   | CONTROL LLAMA                    | FLAMMESTEuerung          |         |         |   |   |
|   | C1,C2       | CONDENSATORE                          | MOTOR CAPACITOR               | CONDENSATEUR                         | CONDENSADOR                      | KONDENSATOR              |         |         |   |   |
|   | E1          | VENTOLA RAFFREDDAMENTO 12V            | COOLING FAN 12V               | TURBINE DE REFROIDISSEMENT 12V       | TURBINA DE REFRIGERACION 12V     | LÜFTER 12V               |         |         |   |   |
|   | E2          | VENTOLA RAFFREDDAMENTO 230V           | COOLING FAN 230V              | TURBINE DE REFROIDISSEMENT 230V      | TURBINA DE REFRIGERACION 230V    | LÜFTER 230V              |         |         |   |   |
| E | H1          | LUCE CAMERA                           | OVEN LIGHT                    | ECLAIRAGE DE CHAMBRE                 | LUZ CAMARA                       | BELEUCHTUNG              |         |         |   |   |
|   | K1          | TELERUTTORE                           | CONTACTOR                     | TELERUPTEUR                          | TELERRUPTOR                      | RELAIS                   |         |         |   |   |
|   | PC1         | PRESSACAVO PG 13,5                    | CABLE GLAND / CORDGRIP PG13,5 | PRESSE ETOUPE PG13,5                 | PASACABLES PG13,5                | Drüse PG13,5             |         |         |   |   |
|   | PC2         | DADO PRESSACAVO PG13,5                | LOCKNUT PG13,5                | ECROU PRESSE-ETOUPE PG13,5           | NUT PASACABLES PG13,5            | ÜBERWURFMUTTER PG13,5    |         |         |   |   |
| F | R1,R2,R3,R4 | RESISTENZA DI MODULAZIONE VENTILATORE | MOTOR MODULATION RESISTANCE   | RESISTANCE DE MODULATION VENTILATEUR | RESISTENCIA MODULACION VELOCIDAD | WIDERSTAND LOW FAN       |         |         |   |   |
|   | S1          | MICRO INTERRUTTORE PORTA              | DOOR MICROSWITCH              | MICROINTERRUPTEUR DE PORTE           | MICROINTERRUPTOR PUERTA          | TURKONTAKTSCHALTER       |         |         |   |   |
|   | S2          | PRESSOSTATO                           | PRESSURE SWITCH               | PRESSOSTAT                           | PRESÓSTATO                       | DRUCKSCHALTER            |         |         |   |   |
|   | S3          | TERMOSTATO SICUREZZA                  | SAFETY THERMOSTAT             | THERMOSTAT DE SECURITE               | TERMOSTATO DE SEGURIDAD          | SICHERHEITS THERMOSTAT   |         |         |   |   |
| G | SL2         | SCHEDA CONTROLLO                      | CONTROL BOARD                 | CARTE DE CONTROLE                    | TARJETA DE CONTROL               | KONTROLL PLATINE         |         |         |   |   |
|   | SL3         | SCHEDA I/O - USB                      | USB - I/O BOARD               | USB - CARTE I/O                      | USB - TARJETA I/O                | USB - I/O PLATINE        |         |         |   |   |
|   | SL4         | BRIDGE ETHERNET                       | BRIDGE ETHERNET               | BRIDGE ETHERNET                      | BRIDGE ETHERNET                  | BRIDGE ETHERNET          |         |         |   |   |
|   | TI          | TRASFORMATORE                         | TRANSFORMER                   | TRANSFORMATEUR                       | TRANSFORMADOR                    | TRANSFORMATOR            |         |         |   |   |
| H | X1          | MORSETTIERA                           | TERMINAL BLOCK                | BORNIER                              | CONECTOR                         | KLEMMLEISTE              |         |         |   |   |
|   | X2          | CAVO ALIMENTAZIONE + SCHUKO           | POWER CORD + SCHUKO           | EPINIERE ET SCHUKO                   | CABLE Y ENCHUFE SCHUKO           | KABEL UND SCHUKO-STECKER |         |         |   |   |
|   | Y1          | POMPA                                 | PUMP                          | POMPE                                | BOMBA                            | PUMPE                    |         |         |   |   |
|   | Y2          | DRY MAXY                              | DRY MAXY                      | DRY MAXY                             | DRY MAXY                         | DRY MAXY                 |         |         |   |   |
| I | Y3,Y5,Y6    | ELETTROVALVOLA ACQUA                  | WATER SOLENOID VALVE          | ELECTROVANNE EAU                     | ELECTROVALVULA                   | ELEKTROVENTIL            |         |         |   |   |
|   | Y4          | ELETTROVALVOLA ACQUA 3 STADI          | WATER SOLENOID VALVE 3STAGE   | ELECTROVANNE EAU 3 ETAPES            | ELECTROVALVULA 3 ETAPAS          | ELEKTROVENTIL 3 STUFEN   |         |         |   |   |

# MOD:XEBC-06EU-GPLM



| TAB100026H                                                                                                               |           |          |                        |                          |                       |                          |             |          |                     | Throttle<br>[turns from closed position] | Throttle<br>[Δ turns from G20 setting] | Gas fumes test 1<br>(MAX) |  | Gas fumes test 2<br>(MIN) |  |
|--------------------------------------------------------------------------------------------------------------------------|-----------|----------|------------------------|--------------------------|-----------------------|--------------------------|-------------|----------|---------------------|------------------------------------------|----------------------------------------|---------------------------|--|---------------------------|--|
| Oven Model                                                                                                               | Tray type | Gas type | Nominal GAS power [kW] | Nominal GAS power [MJ/h] | Inlet pressure [mbar] | Ø GAS Valve orifice [mm] | CO2 [% v/v] | CO [ppm] | CO2 [% v/v]         |                                          |                                        | CO [ppm]                  |  |                           |  |
| Installation type:<br>A3- Free Single unit<br>B13- Unit with draught diverter<br>B23- Single or Stacked units under hood |           |          |                        |                          |                       |                          |             |          |                     |                                          |                                        |                           |  |                           |  |
| XEVC-0511-GPX<br>-<br>XEVC-0511-GPXM                                                                                     | GN1/1     | G110     | 12,5                   | 45                       | 5 - 40 mbar           | -                        | 14          | 4,5      | 4,50 ± CO2 ≤ 5,00   | 4,50 ± CO2 ≤ 5,00                        | <30                                    | <30                       |  |                           |  |
|                                                                                                                          |           | G20      | 15                     | 54                       | 5 - 40 mbar           | -                        | 9,5         | -        | 9,10 ± CO2 ≤ 9,50   | 8,00 ± CO2 ≤ 11,30                       |                                        |                           |  |                           |  |
|                                                                                                                          |           | G25      | 15                     | 54                       | 5 - 40 mbar           | -                        | 9,25        | -0,25    | 9,00 ± CO2 ≤ 9,40   | 8,00 ± CO2 ≤ 11,30                       |                                        |                           |  |                           |  |
|                                                                                                                          |           | G25.1    | 15                     | 54                       | 5 - 40 mbar           | -                        | 9,5         | 0        | 9,60 ± CO2 ≤ 10,00  | 8,50 ± CO2 ≤ 12,00                       |                                        |                           |  |                           |  |
|                                                                                                                          |           | G25.3    | 15                     | 54                       | 5 - 40 mbar           | -                        | 9,25        | -0,25    | 9,30 ± CO2 ≤ 9,70   | 8,00 ± CO2 ≤ 11,30                       |                                        |                           |  |                           |  |
|                                                                                                                          |           | G30      | 15                     | 54                       | 5 - 40 mbar           | 5,5                      | 8,75        | -0,75    | 11,60 ± CO2 ≤ 12,00 | 8,50 ± CO2 ≤ 12,50                       |                                        |                           |  |                           |  |
|                                                                                                                          |           | G31      | 15                     | 54                       | 5 - 40 mbar           | 5,5                      | 9           | -0,5     | 10,80 ± CO2 ≤ 11,20 | 8,50 ± CO2 ≤ 12,50                       |                                        |                           |  |                           |  |
| XEVC-0711-GPX<br>-<br>XEVC-0711-GPXM                                                                                     | GN1/1     | G110     | 16                     | 57,6                     | 5 - 40 mbar           | -                        | 14          | 4,5      | 4,50 ± CO2 ≤ 5,00   | 4,50 ± CO2 ≤ 5,00                        | <30                                    | <30                       |  |                           |  |
|                                                                                                                          |           | G20      | 19                     | 68,4                     | 5 - 40 mbar           | -                        | 9,5         | -        | 9,30 ± CO2 ≤ 9,70   | 8,00 ± CO2 ≤ 11,30                       |                                        |                           |  |                           |  |
|                                                                                                                          |           | G25      | 19                     | 68,4                     | 5 - 40 mbar           | -                        | 9,25        | -0,25    | 9,30 ± CO2 ≤ 9,50   | 8,00 ± CO2 ≤ 11,30                       |                                        |                           |  |                           |  |
|                                                                                                                          |           | G25.1    | 19                     | 68,4                     | 5 - 40 mbar           | -                        | 9,25        | -0,25    | 9,80 ± CO2 ≤ 10,20  | 8,50 ± CO2 ≤ 12,00                       |                                        |                           |  |                           |  |
|                                                                                                                          |           | G25.3    | 19                     | 68,4                     | 5 - 40 mbar           | -                        | 9,25        | -0,25    | 9,60 ± CO2 ≤ 10,00  | 8,00 ± CO2 ≤ 11,30                       |                                        |                           |  |                           |  |
|                                                                                                                          |           | G30      | 19                     | 68,4                     | 5 - 40 mbar           | 5,5                      | 8,75        | -0,75    | 11,40 ± CO2 ≤ 11,80 | 8,50 ± CO2 ≤ 12,50                       |                                        |                           |  |                           |  |
|                                                                                                                          |           | G31      | 19                     | 68,4                     | 5 - 40 mbar           | 5,5                      | 8,75        | -0,75    | 11,30 ± CO2 ≤ 11,70 | 8,50 ± CO2 ≤ 12,50                       |                                        |                           |  |                           |  |
| XEVC-1011-GPX<br>-<br>XEVC-1011-GPXM                                                                                     | GN1/1     | G110     | 17                     | 61,2                     | 5 - 40 mbar           | -                        | 14          | 4,25     | 4,50 ± CO2 ≤ 5,00   | 4,50 ± CO2 ≤ 5,00                        | <30                                    | <30                       |  |                           |  |
|                                                                                                                          |           | G20      | 22                     | 79,2                     | 5 - 40 mbar           | -                        | 9,75        | -        | 9,20 ± CO2 ≤ 9,60   | 8,00 ± CO2 ≤ 11,30                       |                                        |                           |  |                           |  |
|                                                                                                                          |           | G25      | 22                     | 79,2                     | 5 - 40 mbar           | -                        | 9,5         | -0,25    | 9,20 ± CO2 ≤ 9,60   | 8,00 ± CO2 ≤ 11,30                       |                                        |                           |  |                           |  |
|                                                                                                                          |           | G25.1    | 22                     | 79,2                     | 5 - 40 mbar           | -                        | 9,25        | -0,5     | 10,20 ± CO2 ≤ 10,60 | 8,50 ± CO2 ≤ 12,00                       |                                        |                           |  |                           |  |
|                                                                                                                          |           | G25.3    | 22                     | 79,2                     | 5 - 40 mbar           | -                        | 9,25        | -0,5     | 9,50 ± CO2 ≤ 9,90   | 8,00 ± CO2 ≤ 11,30                       |                                        |                           |  |                           |  |
|                                                                                                                          |           | G30      | 22                     | 79,2                     | 5 - 40 mbar           | 5,5                      | 8,75        | -1       | 11,50 ± CO2 ≤ 11,90 | 8,50 ± CO2 ≤ 12,50                       |                                        |                           |  |                           |  |
|                                                                                                                          |           | G31      | 22                     | 79,2                     | 5 - 40 mbar           | 5,5                      | 9           | -0,75    | 11,40 ± CO2 ≤ 11,80 | 8,50 ± CO2 ≤ 12,50                       |                                        |                           |  |                           |  |
| XEVC-2011-GPX                                                                                                            | GN1/1     | G110     | 26                     | 93,6                     | 5 - 40 mbar           | -                        | 14          | 4,25     | 4,50 ± CO2 ≤ 5,00   | 4,50 ± CO2 ≤ 5,00                        | <30                                    | <30                       |  |                           |  |
|                                                                                                                          |           | G20      | 35                     | 126                      | 5 - 40 mbar           | -                        | 9,75        | -        | 9,50 ± CO2 ≤ 9,90   | 8,00 ± CO2 ≤ 11,30                       |                                        |                           |  |                           |  |
|                                                                                                                          |           | G25      | 35                     | 126                      | 5 - 40 mbar           | -                        | 9,5         | -0,25    | 9,40 ± CO2 ≤ 9,80   | 8,00 ± CO2 ≤ 11,30                       |                                        |                           |  |                           |  |
|                                                                                                                          |           | G25.1    | 35                     | 126                      | 5 - 40 mbar           | -                        | 9,5         | -0,25    | 10,10 ± CO2 ≤ 10,50 | 8,50 ± CO2 ≤ 12,00                       |                                        |                           |  |                           |  |
|                                                                                                                          |           | G25.3    | 35                     | 126                      | 5 - 40 mbar           | -                        | 9,75        | 0        | 9,40 ± CO2 ≤ 9,80   | 8,00 ± CO2 ≤ 11,30                       |                                        |                           |  |                           |  |
|                                                                                                                          |           | G30      | 35                     | 126                      | 5 - 40 mbar           | 5,5                      | 8,75        | -1       | 11,50 ± CO2 ≤ 11,90 | 8,50 ± CO2 ≤ 12,50                       |                                        |                           |  |                           |  |
|                                                                                                                          |           | G31      | 35                     | 126                      | 5 - 40 mbar           | 5,5                      | 9           | -0,75    | 11,40 ± CO2 ≤ 11,80 | 8,50 ± CO2 ≤ 12,50                       |                                        |                           |  |                           |  |
| XEVC-0621-GPX<br>-<br>XEVC-0621-GPXM                                                                                     | GN2/1     | G110     | 16                     | 57,6                     | 5 - 40 mbar           | -                        | 14          | 4,5      | 4,50 ± CO2 ≤ 5,00   | 4,50 ± CO2 ≤ 5,00                        | <30                                    | <30                       |  |                           |  |
|                                                                                                                          |           | G20      | 24                     | 86,4                     | 5 - 40 mbar           | -                        | 9,5         | -        | 9,20 ± CO2 ≤ 9,60   | 8,00 ± CO2 ≤ 11,30                       |                                        |                           |  |                           |  |
|                                                                                                                          |           | G25      | 23                     | 82,8                     | 5 - 40 mbar           | -                        | 9,5         | 0        | 9,20 ± CO2 ≤ 9,60   | 8,00 ± CO2 ≤ 11,30                       |                                        |                           |  |                           |  |
|                                                                                                                          |           | G25.1    | 22                     | 79,2                     | 5 - 40 mbar           | -                        | 9,5         | 0        | 10,20 ± CO2 ≤ 10,60 | 8,50 ± CO2 ≤ 12,00                       |                                        |                           |  |                           |  |
|                                                                                                                          |           | G25.3    | 22                     | 79,2                     | 5 - 40 mbar           | -                        | 9,5         | 0        | 9,20 ± CO2 ≤ 9,60   | 8,00 ± CO2 ≤ 11,30                       |                                        |                           |  |                           |  |
|                                                                                                                          |           | G30      | 24                     | 86,4                     | 5 - 40 mbar           | 5,5                      | 8,75        | -0,75    | 11,40 ± CO2 ≤ 11,80 | 8,50 ± CO2 ≤ 12,50                       |                                        |                           |  |                           |  |
|                                                                                                                          |           | G31      | 24                     | 86,4                     | 5 - 40 mbar           | 5,5                      | 9           | -0,5     | 11,20 ± CO2 ≤ 11,60 | 8,50 ± CO2 ≤ 12,50                       |                                        |                           |  |                           |  |

# MOD:XEBC-06EU-GPLM



| TAB100026H                                                                                                               |           |          |                        |                          |                       |                          |             |          |                     | Throttle<br>[turns from closed position] | Throttle<br>[Δ turns from G20 setting] | Gas fumes test 1<br>(MAX) |  | Gas fumes test 2<br>(MIN) |  |
|--------------------------------------------------------------------------------------------------------------------------|-----------|----------|------------------------|--------------------------|-----------------------|--------------------------|-------------|----------|---------------------|------------------------------------------|----------------------------------------|---------------------------|--|---------------------------|--|
| Oven Model                                                                                                               | Tray type | Gas type | Nominal GAS power [kW] | Nominal GAS power [MJ/h] | Inlet pressure [mbar] | Ø GAS Valve orifice [mm] | CO2 [% v/v] | CO [ppm] | CO2 [% v/v]         |                                          |                                        | CO [ppm]                  |  |                           |  |
| Installation type:<br>A3- Free Single unit<br>B13- Unit with draught diverter<br>B23- Single or Stacked units under hood |           |          |                        |                          |                       |                          |             |          |                     |                                          |                                        |                           |  |                           |  |
| XEVC-1021-GPX<br>-<br>XEVC-1021-GPXM                                                                                     | GN2/1     | G110     | 23                     | 82,8                     | 5 -40 mbar            | -                        | 14          | 4,25     | 4,50 ≤ CO2 ≤ 5,00   | 4,50 ≤ CO2 ≤ 5,00                        | <30                                    | <30                       |  |                           |  |
|                                                                                                                          |           | G20      | 35                     | 126                      | 5 -40 mbar            | -                        | 9,75        | -        | 9,20 ≤ CO2 ≤ 9,60   | 8,00 ≤ CO2 ≤ 11,30                       |                                        |                           |  |                           |  |
|                                                                                                                          |           | G25      | 31,5                   | 113,4                    | 5 -40 mbar            | -                        | 9,5         | -0,25    | 9,20 ≤ CO2 ≤ 9,60   | 8,00 ≤ CO2 ≤ 11,30                       |                                        |                           |  |                           |  |
|                                                                                                                          |           | G25.1    | 31,5                   | 113,4                    | 5 -40 mbar            | -                        | 9,5         | -0,25    | 10,10 ≤ CO2 ≤ 10,50 | 8,50 ≤ CO2 ≤ 12,00                       |                                        |                           |  |                           |  |
|                                                                                                                          |           | G25.3    | 31,5                   | 113,4                    | 5 -40 mbar            | -                        | 9,25        | -0,5     | 9,60 ≤ CO2 ≤ 10,00  | 8,00 ≤ CO2 ≤ 11,30                       |                                        |                           |  |                           |  |
|                                                                                                                          |           | G30      | 35                     | 126                      | 5 -40 mbar            | 5,5                      | 8,75        | -1       | 11,40 ≤ CO2 ≤ 11,80 | 8,50 ≤ CO2 ≤ 12,50                       |                                        |                           |  |                           |  |
|                                                                                                                          |           | G31      | 35                     | 126                      | 5 -40 mbar            | 5,5                      | 9           | -0,75    | 11,40 ≤ CO2 ≤ 11,80 | 8,50 ≤ CO2 ≤ 12,50                       |                                        |                           |  |                           |  |
| XEVC-2021-GPX                                                                                                            | GN2/1     | G110     | 38                     | 136,8                    | 5 -40 mbar            | -                        | 14          | 4        | 4,20 ≤ CO2 ≤ 5,00   | 4,20 ≤ CO2 ≤ 5,00                        | <30                                    | <30                       |  |                           |  |
|                                                                                                                          |           | G20      | 69                     | 248,4                    | 5 -40 mbar            | -                        | 10          | -        | 9,30 ≤ CO2 ≤ 9,70   | 8,00 ≤ CO2 ≤ 11,30                       |                                        |                           |  |                           |  |
|                                                                                                                          |           | G25      | 66                     | 237,6                    | 5 -40 mbar            | -                        | 9,25        | -0,75    | 9,30 ≤ CO2 ≤ 9,70   | 8,00 ≤ CO2 ≤ 11,30                       |                                        |                           |  |                           |  |
|                                                                                                                          |           | G25.1    | 63                     | 226,8                    | 5 -40 mbar            | -                        | 9,5         | -0,5     | 10,20 ≤ CO2 ≤ 10,60 | 8,50 ≤ CO2 ≤ 12,00                       |                                        |                           |  |                           |  |
|                                                                                                                          |           | G25.3    | 65                     | 234                      | 5 -40 mbar            | -                        | 9,25        | -0,75    | 9,70 ≤ CO2 ≤ 10,10  | 8,00 ≤ CO2 ≤ 11,30                       |                                        |                           |  |                           |  |
|                                                                                                                          |           | G30      | 70                     | 252                      | 5 -40 mbar            | 5,5                      | 8,75        | -1,25    | 11,50 ≤ CO2 ≤ 11,90 | 8,50 ≤ CO2 ≤ 12,50                       |                                        |                           |  |                           |  |
|                                                                                                                          |           | G31      | 70                     | 252                      | 5 -40 mbar            | 5,5                      | 9           | -1       | 11,40 ≤ CO2 ≤ 11,80 | 8,50 ≤ CO2 ≤ 12,50                       |                                        |                           |  |                           |  |
| XEBC-06EU-GPX<br>-<br>XEBC-06EU-GPXM                                                                                     | 600x400   | G110     | 16                     | 57,6                     | 5 -40 mbar            | -                        | 14          | 4,5      | 4,50 ≤ CO2 ≤ 5,00   | 4,50 ≤ CO2 ≤ 5,00                        | <30                                    | <30                       |  |                           |  |
|                                                                                                                          |           | G20      | 19                     | 68,4                     | 5 -40 mbar            | -                        | 9,5         | -        | 9,30 ≤ CO2 ≤ 9,70   | 8,00 ≤ CO2 ≤ 11,30                       |                                        |                           |  |                           |  |
|                                                                                                                          |           | G25      | 19                     | 68,4                     | 5 -40 mbar            | -                        | 9,25        | -0,25    | 9,30 ≤ CO2 ≤ 9,50   | 8,00 ≤ CO2 ≤ 11,30                       |                                        |                           |  |                           |  |
|                                                                                                                          |           | G25.1    | 19                     | 68,4                     | 5 -40 mbar            | -                        | 9,25        | -0,25    | 9,80 ≤ CO2 ≤ 10,20  | 8,50 ≤ CO2 ≤ 12,00                       |                                        |                           |  |                           |  |
|                                                                                                                          |           | G25.3    | 19                     | 68,4                     | 5 -40 mbar            | -                        | 9,25        | -0,25    | 9,60 ≤ CO2 ≤ 10,00  | 8,00 ≤ CO2 ≤ 11,30                       |                                        |                           |  |                           |  |
|                                                                                                                          |           | G30      | 19                     | 68,4                     | 5 -40 mbar            | 5,5                      | 8,75        | -0,75    | 11,40 ≤ CO2 ≤ 11,80 | 8,50 ≤ CO2 ≤ 12,50                       |                                        |                           |  |                           |  |
|                                                                                                                          |           | G31      | 19                     | 68,4                     | 5 -40 mbar            | 5,5                      | 8,75        | -0,75    | 11,30 ≤ CO2 ≤ 11,70 | 8,50 ≤ CO2 ≤ 12,50                       |                                        |                           |  |                           |  |
| XEBC-10EU-GPX<br>-<br>XEBC-10EU-GPXM                                                                                     | 600x400   | G110     | 20                     | 72                       | 5 -40 mbar            | -                        | 14          | 4,25     | 4,50 ≤ CO2 ≤ 5,00   | 4,50 ≤ CO2 ≤ 5,00                        | <30                                    | <30                       |  |                           |  |
|                                                                                                                          |           | G20      | 25                     | 90                       | 5 -40 mbar            | -                        | 9,75        | -        | 9,20 ≤ CO2 ≤ 9,60   | 8,00 ≤ CO2 ≤ 11,30                       |                                        |                           |  |                           |  |
|                                                                                                                          |           | G25      | 24                     | 86,4                     | 5 -40 mbar            | -                        | 9,5         | -0,25    | 9,30 ≤ CO2 ≤ 9,70   | 8,00 ≤ CO2 ≤ 11,30                       |                                        |                           |  |                           |  |
|                                                                                                                          |           | G25.1    | 23                     | 82,8                     | 5 -40 mbar            | -                        | 9,25        | -0,5     | 10,20 ≤ CO2 ≤ 10,60 | 8,50 ≤ CO2 ≤ 12,00                       |                                        |                           |  |                           |  |
|                                                                                                                          |           | G25.3    | 21                     | 75,6                     | 5 -40 mbar            | -                        | 9,25        | -0,5     | 9,30 ≤ CO2 ≤ 9,70   | 8,00 ≤ CO2 ≤ 11,30                       |                                        |                           |  |                           |  |
|                                                                                                                          |           | G30      | 25                     | 90                       | 5 -40 mbar            | 5,5                      | 9           | -0,75    | 11,50 ≤ CO2 ≤ 11,90 | 8,50 ≤ CO2 ≤ 12,50                       |                                        |                           |  |                           |  |
|                                                                                                                          |           | G31      | 25                     | 90                       | 5 -40 mbar            | 5,5                      | 9           | -0,75    | 11,40 ≤ CO2 ≤ 11,80 | 8,50 ≤ CO2 ≤ 12,50                       |                                        |                           |  |                           |  |
| XEBC-16EU-GPX                                                                                                            | 600x400   | G110     | 26                     | 93,6                     | 5 -40 mbar            | -                        | 14          | 4,25     | 4,50 ≤ CO2 ≤ 5,00   | 4,50 ≤ CO2 ≤ 5,00                        | <30                                    | <30                       |  |                           |  |
|                                                                                                                          |           | G20      | 35                     | 126                      | 5 -40 mbar            | -                        | 9,75        | -        | 9,50 ≤ CO2 ≤ 9,90   | 8,00 ≤ CO2 ≤ 11,30                       |                                        |                           |  |                           |  |
|                                                                                                                          |           | G25      | 35                     | 126                      | 5 -40 mbar            | -                        | 9,5         | -0,25    | 9,40 ≤ CO2 ≤ 9,80   | 8,00 ≤ CO2 ≤ 11,30                       |                                        |                           |  |                           |  |
|                                                                                                                          |           | G25.1    | 35                     | 126                      | 5 -40 mbar            | -                        | 9,5         | -0,25    | 10,10 ≤ CO2 ≤ 10,50 | 8,50 ≤ CO2 ≤ 12,00                       |                                        |                           |  |                           |  |
|                                                                                                                          |           | G25.3    | 35                     | 126                      | 5 -40 mbar            | -                        | 9,75        | 0        | 9,40 ≤ CO2 ≤ 9,80   | 8,00 ≤ CO2 ≤ 11,30                       |                                        |                           |  |                           |  |
|                                                                                                                          |           | G30      | 35                     | 126                      | 5 -40 mbar            | 5,5                      | 8,75        | -1       | 11,50 ≤ CO2 ≤ 11,90 | 8,50 ≤ CO2 ≤ 12,50                       |                                        |                           |  |                           |  |
|                                                                                                                          |           | G31      | 35                     | 126                      | 5 -40 mbar            | 5,5                      | 9           | -0,75    | 11,40 ≤ CO2 ≤ 11,80 | 8,50 ≤ CO2 ≤ 12,50                       |                                        |                           |  |                           |  |