

# Bedienungsanleitung Mode d'emploi

---

100.986N (FI32N)

100.987N (FI42N)

100.988N (FIP42N)



uso e manutenzione **IT**

use and maintenance **EN**

emploi et entretien **FR**

Benutzungs/Wartungsanleitung **DE**

uso y mantenimiento **ES**

uso e manutenção **PT**

использование и техобслуживание **RU**



MOD067V04





## PIZZA ROLLING MACHINE

### CONTENTS

#### GENERAL INFORMATION

Purpose of the manual.....	4
Manufacturer and machine identification.....	4
Safety information.....	4
Machine descriptions.....	5
Technical specifications.....	6
Overall dimensions.....	6
Safety devices.....	6

#### HANDLING AND INSTALLATION

General warnings.....	
Packaging and unpacking.....	7
Installation area.....	7
Electrical connections .....	7
	7

#### OPERATIONAL INFORMATION

Control descriptions.....	8
Machine use.....	8
Recommendations for use.....	8
End of the day cleaning.....	9
Roller blade cleaning.....	9
Extended periods of disuse .....	9
Troubles shooting.....	9
Problems, causes, solutions.....	9

#### ATTACHMENTS

Disposal and recycling
Spare parts catalogue
Wiring diagram

## Purpose of the manual

This manual was written by the Manufacturer and is an integral part of machine equipment. During design and construction the Manufacturer has carefully considered possible hazards and personal risks that may result from interaction with the machine. In addition to observing the specific laws in force, the manufacturer has adopted all “exemplary construction technique principles”. The purpose of this information is to advise the users to adopt extreme caution to avoid risks. However, discretion is invaluable. Safety is also in the hands of all the operators who interact with the machine. Keep this manual in a suitable place, always within reach for consultation. The following symbols are included to better stress some passages:

 **DANGER – WARNING:** indicates hazards that may cause serious damages; attention is required.

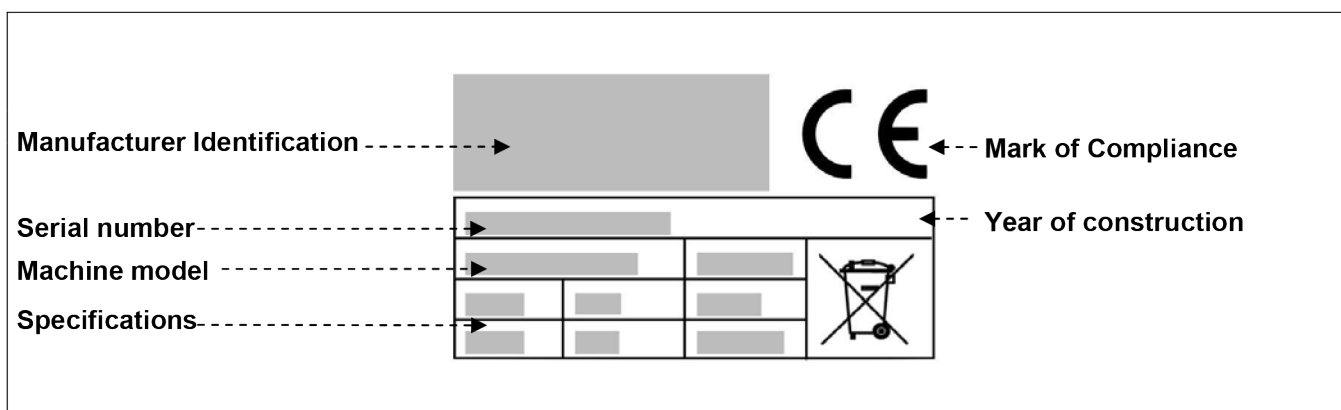
 **INFORMATION:** indicates particularly important technical information.

The following is enclosed with this manual:

- Warranty certificate describing the Manufacturer's warranty conditions.
- Documents that prove conformity with effective health and safety laws.

Contact the Authorised dealer for any service request, information or spare parts order.

## Machine and manufacturer identification



## Safety information

- Careful consultation of this manual before installation and use is essential. Continual observance of the indications found in the manual guarantee personal and machine safety.
- Never tamper with safety devices for any reason.
- Strict observance of the work safety regulations issued by the responsible organisations in each country is strongly recommended.
- The manufacturer is not liable for damages to persons or things due to the neglect of safety regulations.
- The personnel authorized to do the electrical connection must check that the characteristics of the power line conform to what is indicated on the rating plate, that it is equipped with a circuit breaker and components that comply with the current laws and regulations.
- Correct machine placement, illumination and cleanliness are important conditions for personal safety.
- Do not expose the machine to the elements.
- Before installation, check that the chosen area is suitable, sufficiently lit, stable and has enough surrounding space to facilitate cleaning and maintenance
- Machine connections and start-up must only be performed by specialised technicians.
- Make sure that the system specifications of the room where the machine is installed correspond to the information printed on the plate.
- Make sure the machine is connected to a grounding system.
- The work area around the machine must always be kept clean and dry.
- Use the garments foreseen by work safety regulations.

## GENERAL INFORMATION

- 
- This machine must only be used for its specific purpose; any other use is considered improper and therefore hazardous.
- Check the suitability and weight of products to be processed; do not overload the machine.
- Introducing objects, tools, hands or other things within hazardous parts is forbidden.
- Keep the machine away from children.
- Disconnect the power cord from the electrical socket when the machine is not in use.
- In the event of malfunctions and/or problems, do not attempt to repair the machine. Contact the authorised dealer.
- Use original spare parts.
- Before cleaning the machine, disconnect the power supply by unplugging the machine.
- There must not be any loose items on the machine (cloths, tools, keys, etc ...), all guards must be secure and protective devices enabled.
- Do not clean with high-pressure jets of water.
- The scrapers, placed under the lower rollers must be properly secured.
- The machine is manufactured in accordance with the relevant EU Directives and applicable at the time of placement on the market.

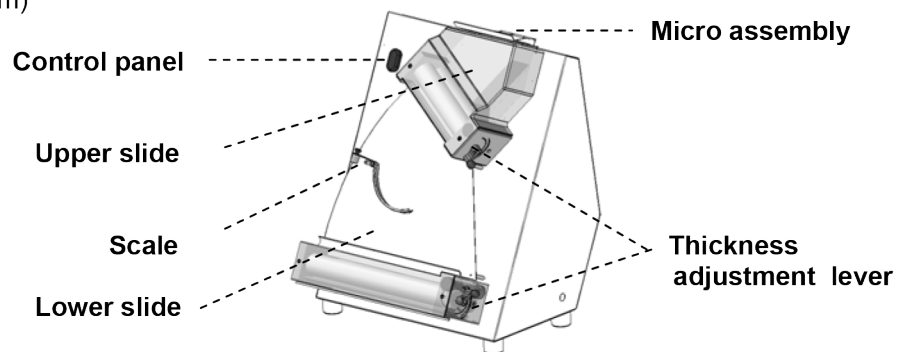
### Machine descriptions

The machine is ideal for rolling pizza dough into a round pie.

The range is made up of 2 different models:

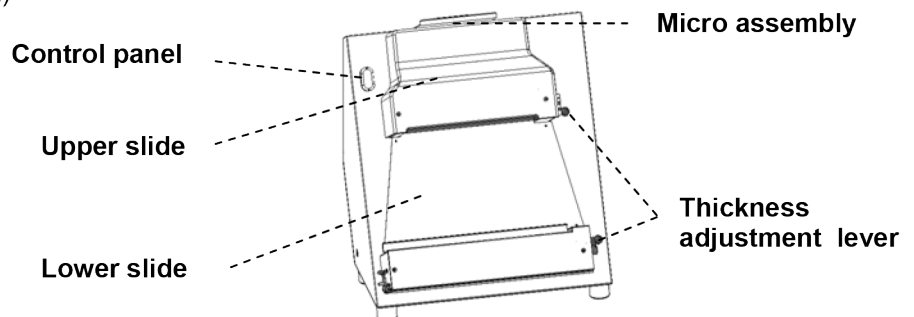
**FI32N** (maximum pizza diameter 300mm)

**FI42N** (maximum pizza diameter 400mm)



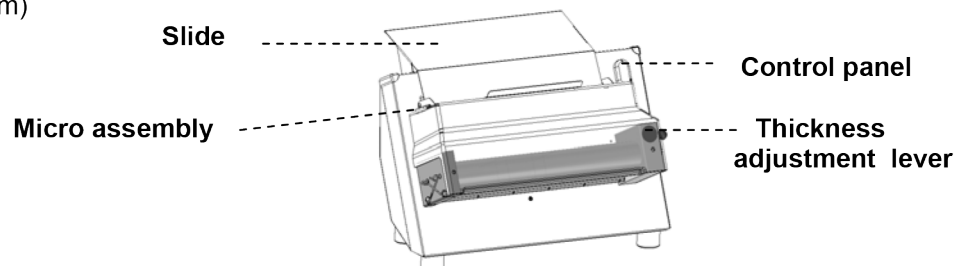
The machine is ideal for rolling pizza dough for pan baking.

**FIP42N** (maximum pizza width 400mm)



The machine is ideal for rolling pizza dough for pan baking.

**FIM42** (maximum pizza width 400mm)



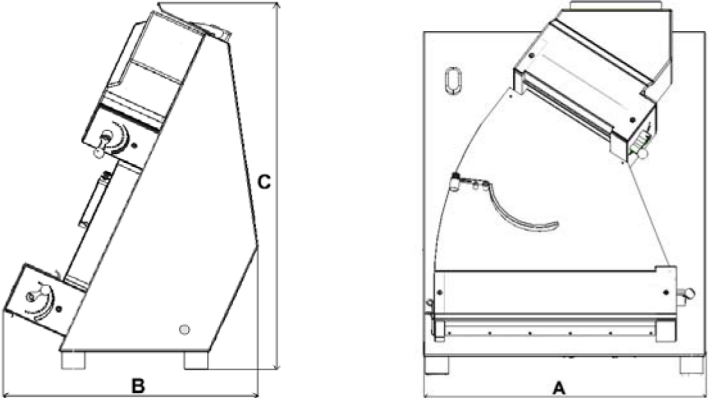
# GENERAL INFORMATION

## Technical specifications

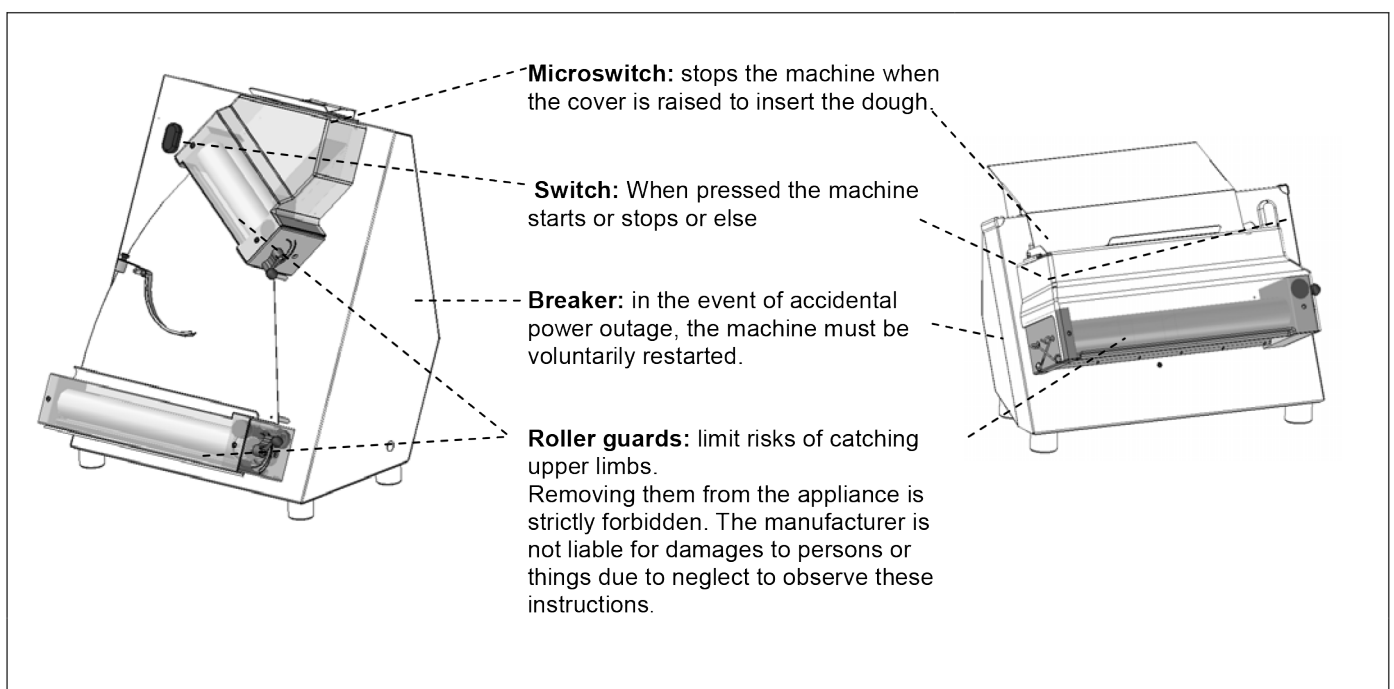
Descriptions	Unit of measure	FI32N	FI42N	FIP42N	FIM42
Power supply	V Hz Ph	230V 50Hz 1Ph			
Power	kW (HP)	0.37 (0.5)	0.37 (0.5)	0.37 (0.5)	0.37 (0.5)
Lower roller width	mm	320	420	420	420
Net weight	kg	36	44	43	25
Packaged weight	kg	46	54	53	25
Noise level	dB(A)	< 70			
Installation		Counter			

## Overall dimensions

mm	A	B	C
FI32N	490	510	640
FI42N	590	510	760
FIP42N	590	510	700
FIM42	560	420	455



## Safety devices



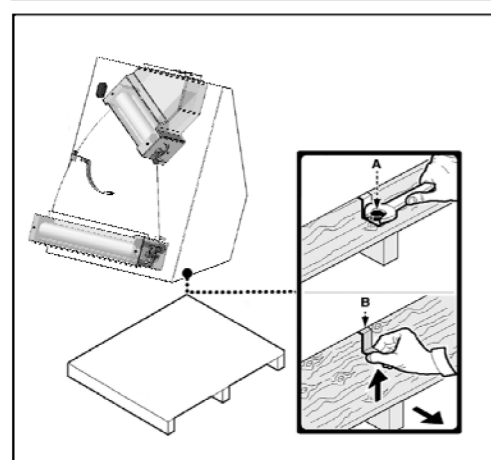
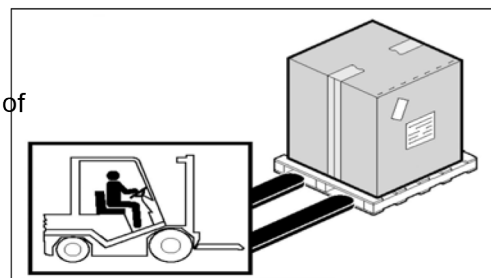
# HANDLING AND INSTALLATION

## GENERAL WARNINGS

The machine must always be transported by professionally qualified personnel, taking care to avoid damage to any part of the machine as a result of impacts or undue stresses caused by inappropriate lifting methods. Damage to the machine caused during transport or handling is not covered by the guarantee. Repair and replacement of damaged parts are the responsibility of the customer.

## PACKAGING AND UNPACKING

- Insert the forks of the lift truck (of suitable capacity) in line with the centre of the box.
- Make sure that the rear part of the package is free of obstacles.
- Lift the box cautiously and transfer it to the location where it will be unpacked, avoiding sudden harsh movements.
- Ouvrir l' emballage et vérifier l' intégrité de tout les composants. Garder l' emballage pour des déménagements futurs.
- Unscrew the screws A and lift the machine from the pallet.
- Lift the machine, remove the brackets B and position it in the installation area.



## Installation area

The arranged area must be suitably illuminated and an electrical socket must be available. Place the machine securely on a flat surface, in a horizontal position, with adequate weight bearing capacity, taking into account the maximum weight of the machine. Ensure the machine is mechanically stable.

The resting surface must be sufficiently ample, even and dry. The machine must be installed in rooms with non-explosive environments. In any case, installation must also be performed in consideration of the work safety laws in force.

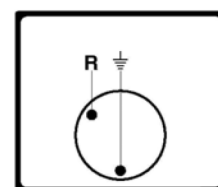
**Room conditions table**

Descriptions	Values
Working temperature	0÷35 °C (32÷95 °F)
Storage temperature	-15 to +65 °C (from -6.8 to +149 °F)
Relative humidity	Maximum 80% with 20 °C room temperature Maximum 50% with room temperature between 20÷60 °C
Dustiness	Less than 0.03 g/m <sup>3</sup>

## Electrical connections

**⚠ DANGER – WARNING: Electrical connections to the supply mains must be performed by specialised personnel.**

Verify the efficiency of the grounding system in the building. Make sure that line voltage (**V**) and frequency (**Hz**) correspond to those of the machine (See the identification plate and wiring diagram). The machine is equipped with an electrical cord that connects to a multi-polar plug. The plug is to be connected to a wall switch equipped with a circuit breaker.





## Control descriptions

### 1) Start button "1"

Press the button to start the machine. **Start-up is enabled only with the cover of the upper protection lowered.**

### 2) Stop button "0"

Press the button to stop the machine.

### 3) Roller adjustment lever

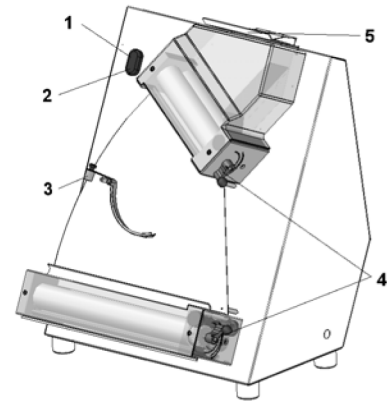
Rotate the lever down to increase thickness. Rotate the lever up to reduce thickness. Tighten the knob once you have found the desired position.

### 4) Scale counter-weight knob (mod. FI32N-42N only)

Unscrew the knob and adjust the counter-weight according to the size and weight of the piece of dough. Screw-in the knob when the counter-weight is in the required position.

### 5) Protection cover

Lift the lid to insert the dough.



## Machine use

- Use the specific levers to adjust thickness on both roller units. The upper rollers must be adjusted to a fairly wide opening while the lower rollers must have an opening as wide as the required thickness (run a few tests to correctly perform this operation).
- Adjust the position of the scale counter-weight according to the size and weight of the dough to be rolled, mod. FI32N-42N only (run a few tests to correctly perform this operation).
- Make sure the roller blades are in the correct position and that their springs are well-tensioned.
- Start the machine by pressing the start button "1".
- Flatten the piece of dough and liberally cover it with flour to assist the passage through the rollers.
- Lift the cover of the top guard, let the dough slip in the middle of the two rollers and close the lid (without dropping it, but accompanying it on the bar).
- Wait for the dough to come out all the way from the grip of the upper rollers so it slides out, this time on the lower rollers which flatten it to the thickness set beforehand by the thickness lever.
- When finished, stop the machine by pressing the stop button "0".

### **I** INFORMATION:

**For use with very irregular-shaped pieces of dough, remove the scale (mod. FI32N-42N only) and manually rotate the piece as it passes between the two pairs of rollers.**

## Recommendations for use

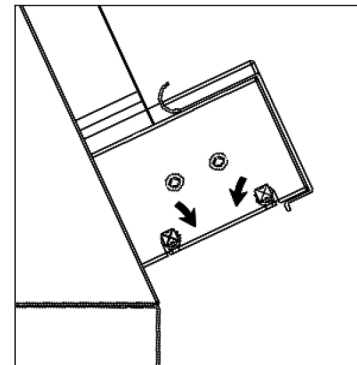
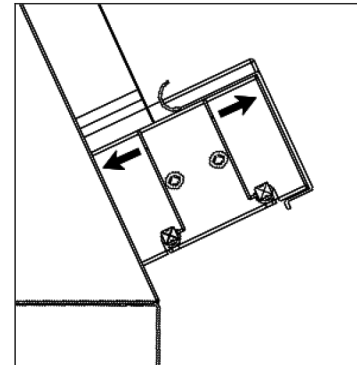
Always use the machine with a wide opening between the upper rollers to prevent excessively straining the transmission components. Furthermore, flatten and liberally cover the piece of dough with flour before placing it in the machine to assist passage through the rollers.

# CLEANING MACHINE

## End of the day cleaning

- Remove the plug from the electrical socket at the end of the day.
- Clean thoroughly using a damp cloth with a neutral cleaning product, which is non-corrosive, non-hazardous and non-flammable.
- Clean external machine parts with a damp sponge.
- Do not use metallic pads and abrasive detergents.

## Roller blade cleaning



- Unhook the springs on the lower rollers by pushing them outwards.
- Rotate the pins inwards and clean the roller blades with a damp cloth.
- To return the roller blades to their initially position, follow the above directions in reverse order.

## Extended periods of disuse

For extended periods of disuse, turn off the main wall switch, clean the machine and cover it with a cloth to protect it from dust.

## Troubles shooting

In the event of breakdown or malfunctioning, turn off the wall fuse and contact your Dealer's service centre. Avoid dismantling internal machine parts.

**The manufacturer is not liable for any machine tampering!**

## Problems, causes, solutions

Problem	Cause	Solution
<b>The machine does not start</b>	Main switch off	Turn on main switch to "I"
	No voltage on the power supply	Contact your dealer's service centre
	Either the electric motor or the circuit board is defective.	Contact your dealer's service centre
	Safety fuse burnt out	Contact your dealer's service centre
	Upper rollers protective cover raised	Lower the cover



## FORMEUSE A PIZZA

### INDEX

#### INFORMATIONS GENERALES

But du manuel.....	4
Identification Constructeur et machine.....	4
Informations sur la sécurité.....	4
Description de la machine.....	5
Caractéristiques techniques.....	6
Dimensions d'encombrement.....	6
Dispositifs de sécurité.....	6

#### INFORMATIONS SUR L'INSTALLATION

Avertissements généraux.....	7
Emballage et déballage.....	7
Zone d'installation.....	7
Branchement électrique.....	7

#### INFORMATIONS POUR LE FONCTIONNEMENT

Description des commandes.....	8
Utilisation de la machine.....	8
Conseils d'utilisation.....	8
Nettoyage en fin de journée.....	9
Nettoyage des racleurs rouleaux.....	9
Longue inactivité de la machine.....	9
Recherche pannes.....	9
Inconvénients, causes, remèdes.....	9

#### ANNEXE

Elimination et recyclage
Catalogue pièces de rechanges
Schéma électrique

# INFORMATIONS GENERALES

## But du manuel

Ce manuel a été rédigé par le Constructeur et représente une partie intégrante de la dotation de la machine. Le constructeur, en phase d'étude et de construction, a prêté une attention particulière aux aspects qui peuvent provoquer des risques à la sécurité et à la santé des personnes qui interagissent avec la machine. Outre le respect des lois en vigueur en la matière, il a adopté toutes les "règles de la bonne technique de construction". Le but de ces informations est de sensibiliser les utilisateurs à être particulièrement attentifs pour prévenir tous les risques. La prudence est quoi qu'il en soit irremplaçable. La sécurité est également dans les mains de tous les opérateurs qui interagissent avec la machine. Conserver ce manuel dans un endroit approprié, afin de l'avoir toujours à la portée de la main pour sa consultation. Pour mettre en évidence certaines parties du texte, les symboles suivants ont été utilisés

 **DANGER – ATTENTION: indique les dangers qui peuvent provoquer de graves lésions; il est nécessaire de prêter attention.**

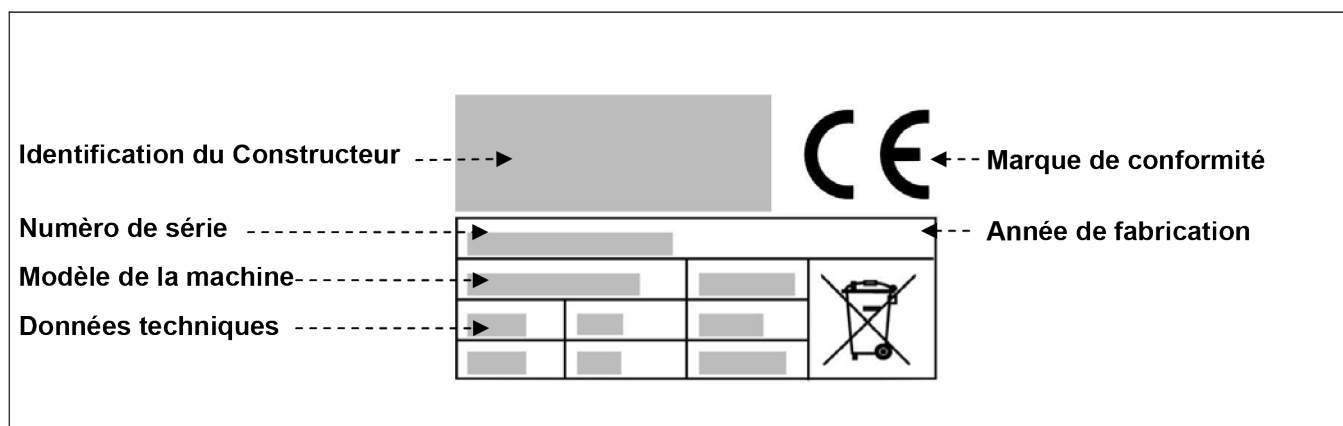
 **INFORMATIONS: indications techniques particulièrement importantes.**

A ce Manuel sont joints:

- Le certificat de garantie dans lequel sont reportées les conditions de garantie dictées par le Constructeur.
- Les documents qui attestent la conformité aux lois en vigueur en matière de sécurité et santé des personnes.

Pour toute demande d'Assistance technique, informations et commandes de pièces détachées, contacter le Revendeur autorisé.

## Identification Constructeur et machine



## Informations sur la sécurité

- Il est fondamental de consulter attentivement ce manuel avant de procéder aux opérations d'installation et utilisation. Le respect constant des indications contenues dans le manuel garantit la sécurité de la personne et de la machine.
- N'altérer sous aucun prétexte les dispositifs de sécurité.
- Nous recommandons le respect rigoureux des normes de sécurité sur le travail promulguées par les organismes préposés dans chaque nation.
- Le constructeur décline toute responsabilité pour les dommages aux personnes ou aux choses, causés par le manque de respect des normes de sécurité.
- Le personnel autorisé à effectuer le branchement électrique doit vérifier que les caractéristiques de la ligne d'alimentation correspondent à ce qui est indiqué sur la plaque, qu'elle est équipée d'un interrupteur différentiel et de composants conformes aux lois et aux normes en vigueur en la matière.
- Le déplacement correct de la machine, l'illumination et le nettoyage du milieu, sont des conditions importantes aux fins de la sécurité personnelle.
- Ne pas exposer la machine aux agents atmosphériques.
- Avant l'installation, il faut contrôler que la zone choisie est appropriée et suffisamment éclairée, stable et qu'il y a un espace environnant suffisant pour effectuer facilement les opérations de nettoyage et de maintenance.

## RACCOMANDAZIONI PER IL LETTORE

Prima di mettere in esercizio l'apparecchiatura, è necessario leggere e comprendere tutto il contenuto del manuale di istruzioni.

Si raccomanda di leggere le disposizioni di sicurezza e di rispettarle rigorosamente.

La prudenza è comunque insostituibile. La sicurezza è anche nelle mani di tutti coloro che interagiscono con l'apparecchiatura nell'arco della vita prevista.

Conservare questo manuale in un luogo noto per averlo sempre a disposizione qualora sia necessario consultarlo.

## RECOMMENDATIONS FOR THE READER

Before running the appliance, carefully read the entire instruction manual.

Please read the safety instructions and strictly follow them.

However, discretion is invaluable. Safety is also in the hands of all those who use the appliance during its expected working life.

Keep this manual in a known place so it is always available for consultation when needed.

## RECOMMANDATIONS POUR LE LECTEUR

Avant de mettre l'appareil en service, il est nécessaire de lire et comprendre l'ensemble du contenu du mode d'emploi.

Il est recommandé de lire les dispositions de sécurité et de les respecter rigoureusement.

La prudence est de toute façon irremplaçable. La sécurité se trouve entre les mains de chaque personne qui interagit avec l'appareil au cours de sa vie prévue.

Conserver ce mode d'emploi en un lieu connu pour l'avoir toujours à portée de main s'il est nécessaire de le consulter.

## EMPFEHLUNGEN FÜR DEN LESER

Vor der Inbetriebnahme des Geräts ist der gesamte Inhalt der Bedienungsanleitung zu lesen und zu verstehen.

Es wird empfohlen, die Sicherheitsvorgaben zu lesen und diese strikt zu befolgen.

Umsichtiges Arbeiten ist in jedem Fall unverzichtbar. Die Sicherheit liegt auch in den Händen derjenigen, die mit dem Gerät während der vorgesehenen Lebensdauer interagieren.

Bewahren Sie diese Bedienungsanleitung an einem bekannten Ort auf, um sie bei Bedarf stets greifbar zu haben.

## RECOMENDACIONES PARA EL LECTOR

Antes de poner en funcionamiento la máquina, es necesario leer y comprender todo el contenido del manual de instrucciones.

Se recomienda leer las disposiciones de seguridad y respetarlas taxativamente.

La prudencia no puede sustituirse. La seguridad está también en manos de quienes utilizan la máquina durante la vida útil prevista.

Conservar este manual en un lugar conocido para disponer del mismo en caso de ser necesaria su consulta.

## RECOMENDAÇÕES PARA O LEITOR

Antes de pôr a máquina a funcionar, é necessário ler e compreender o conteúdo do manual de instruções.

Recomenda-se a leitura das disposições de segurança e o rigoroso respeito das mesmas.

De qualquer modo, a prudência é insubstituível. A segurança também está nas mãos de todas as pessoas que interagem com a máquina no arco da sua vida prevista.

ConsERVE este manual num lugar conhecido para o ter sempre à disposição quando for necessário consultá-lo.

## РЕКОМЕНДАЦИИ ЧИТАТЕЛЮ

Перед вводом в эксплуатацию оборудования необходимо прочитать и усвоить все содержимое настоящего руководства.

Прочитать и строго соблюдать инструкции по технике безопасности.

Осторожность незаменима. Безопасность находится в руках всех тех, кто взаимодействует с оборудованием на протяжении всего срока его эксплуатации.

Хранить данное руководство в хорошо известном и доступном месте, чтобы обращаться к нему по мере необходимости.

# INFORMATIONS GENERALES

- Le branchement et la mise en service de la machine doivent être effectués uniquement par le personnel technique spécialisé.
- Vérifier que les caractéristiques de l'installation où doit être installée la machine correspondent aux données poinçonnées sur la plaquette.
- S'assurer que la machine soit branchée à une installation de mise à la terre.
- La zone de travail autour de la machine doit toujours être maintenue propre et sèche.
- Utiliser les vêtements prévus par les normes anti-accidents sur le travail.
- Cette machine doit être destinée uniquement à l'utilisation prévue; une utilisation différente est à considérer impropre et par conséquent dangereuse.
- Vérifier l'aptitude et le poids des produits à traiter, ne pas surcharger la machine au-delà de sa capacité.
- Il est interdit d'introduire des objets, des outils, les mains ou autre à l'intérieur des parties dangereuses.
- Garder la machine hors de la portée des enfants.
- Débrancher la fiche de la prise de courant lorsque la machine n'est pas utilisée.
- En cas de pannes et/ou inconvénients d'utilisation, ne pas effectuer soi-même les réparations mais s'adresser au Revendeur autorisé.
- Demander les pièces détachées originales.
- Avant de procéder au nettoyage de la machine, ôter l'alimentation électrique en débranchant la fiche.
- Il ne faut pas laisser des éléments épars (chiffons, outils, clés, etc...) sur la machine, il faut contrôler que toutes les protections sont bien fixées et que les dispositifs de protection sont activés.
- Pour le nettoyage ne pas utiliser de jets d'eau à haute pression.
- Les racleurs, situés sous les rouleaux inférieurs, doivent être bien fixés correctement.
- La machine est réalisée conformément aux directives de l'union européenne pertinentes et applicables lors de son entrée sur le marché.

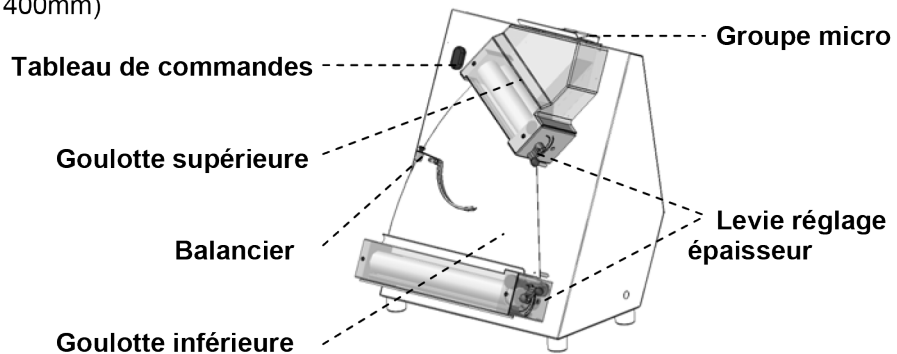
## Description de la machine

### Mod.FI32N-42N:

La machine est idéale pour étendre la pâte à pizza de forme circulaire.

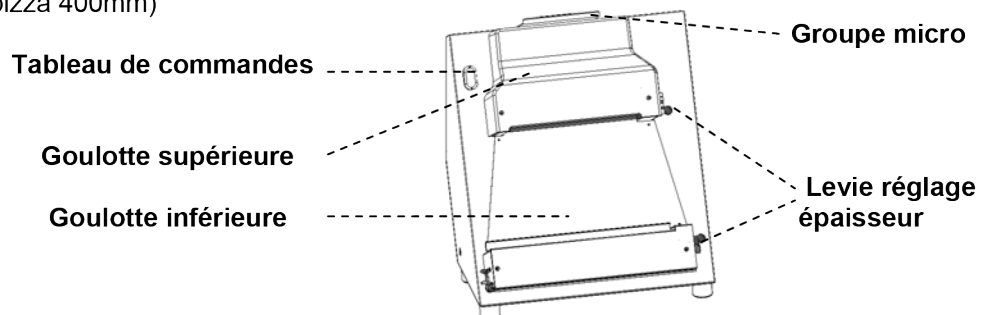
**FI32N** (diamètre maximum pizza 300mm)

**FI42N** (diamètre maximum pizza 400mm)



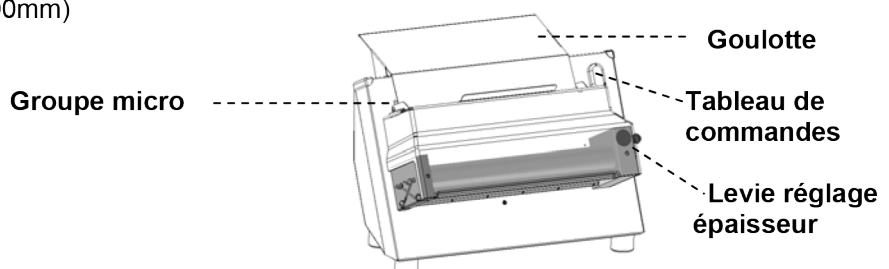
La machine est idéale pour étendre la pâte à pizza à cuire dans un plat.

**FIP42N** (diamètre maximum pizza 400mm)



La machine est idéale pour étendre la pâte à pizza à cuire dans un plat.

**FIM42N** (diamètre maximum pizza 400mm)



# INFORMATIONS GENERALES

## Caractéristiques techniques

Descriptions	Unité de mesure	FI32N	FI42N	FIP42N	FIM42
Alimentation d'énergie électrique	V Hz Ph	230V 50Hz 1Ph			
Puissance	kW (HP)	0.37 (0.5)	0.37 (0.5)	0.37 (0.5)	0.15 (0.5)
Largeur rouleaux inférieurs	mm	320	420	420	420
Poids net	kg	36	44	43	25
Poids avec emballage	kg	46	54	53	25
Niveau de bruit	dB(A)	< 70			
Installation		Sur comptoir			

## Dimensions d'encombrement

mm	A	B	C	
FI32N	490	510	640	
FI42N	590	510	760	
FIP42N	590	510	700	
FIM42	560	420	455	

## Dispositifs de sécurité

**Micro-interrupteur** : il arrête la machine toutes les fois que le couvercle est soulevé pour introduire la pâte.

**Interrupteur** : s'il est pressé, il démarre ou il arrête la machine

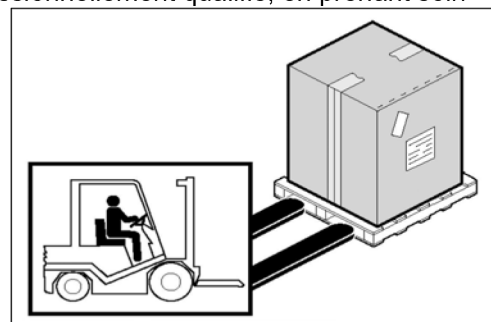
**Télérupteur**: en cas de manque de courant accidentel, il nécessite la remise en route volontaire de la machine

**Protections rouleaux**: elles limitent les risques d'encastrement des membres supérieurs.  
Il est absolument interdit de les enlever de l'appareil. Le constructeur décline toute responsabilité pour les dommages à personnes ou choses, au cas où cette prescription soit transgressée

## INFORMATIONS SUR L'INSTALLATION

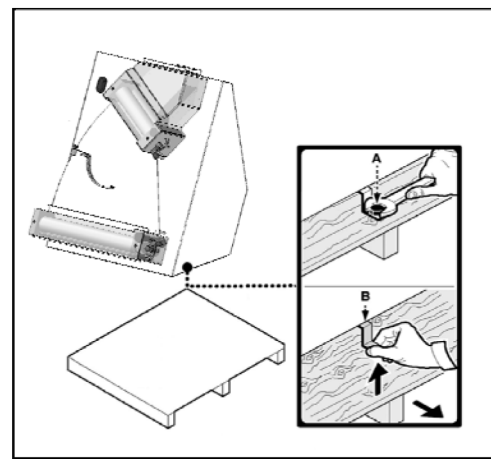
### Avertissements généraux

Le transport de la machine doit toujours être effectué par du personnel professionnellement qualifié, en prenant soin d'éviter tous dommages à la suite de chocs ou contraintes exercées en soulevant la machine d'une manière non autorisée. Les dommages à la machine causés durant le transport et le déplacement ne sont pas couverts par la garantie. Les réparations ou remplacements des pièces endommagées sont à la charge du client.



### Emballage et déballage

- Introduire les fourches du chariot élévateur (de portée adaptée) au centre de la longueur de la caisse.
- S'assurer qu'il n'y ait pas d'obstacle derrière l'emballage.
- Soulever la caisse et l'amener sur le lieu où elle sera déballée, en évitant les sursauts et secousses inopinés.
- Ouvrir l'emballage et vérifier que tous les composants soient intacts. Conserver l'emballage pour de futurs déménagements.
- Dévisser les vis **A** et soulever la machine de la palette.
- Soulever la machine, enlever les pattes **B** et la placer dans la zone destinée à l'installation.



### Zone d'installation

La zone préétablie devra être illuminée de façon adéquate et devra disposer d'une prise de distribution de l'énergie électrique. Placer la machine de manière stable et définitive sur une surface plane, en position horizontale, ayant des caractéristiques de capacité appropriée, tenant compte du poids maximum de la machine. Assurer à la machine la meilleure stabilité mécanique.

Le plan d'appui doit être suffisamment ample, bien nivelé et sec. L'installation doit avoir lieu en milieu avec atmosphère non explosive. Dans tous les cas, l'installation doit être effectuée en tenant compte également des lois en vigueur en matière de sécurité sur le travail.

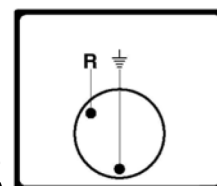
**Tableau Conditions d'environnement**

Descriptions	Valeurs
Température de fonctionnement	0÷35 °C (32÷95 °F)
Température de magasinage	-15 a +65 °C (de -6.8 à +149 °F)
Humidité relative	Maximum 80% avec température ambiante de 20 °C Maximum 50% avec température ambiante entre 20÷60 °C
Taux de poussière ambiante	Inférieur à 0.03 g/m <sup>3</sup>

### Branchement électrique

**⚠ DANGER – ATTENTION: Le branchement électrique au réseau d'alimentation doit être effectué par le personnel spécialisé.**

S'assurer du parfait fonctionnement de l'installation de mise à la terre de l'établissement. Vérifier que la tension de ligne (**V**) et la fréquence (**Hz**) correspondent à celles de la machine (Voir la plaquette d'identification et le schéma électrique). La machine est dotée de câble électrique auquel relier une fiche multipolaire. La fiche doit être branchée à un interrupteur à mur pourvu de différentiel.





## INFORMATIONS POUR LE FONCTIONNEMENT

### Description des commandes

#### 1) Bouton de start "I"

Appuyer sur le bouton pour mettre en marche la machine, le démarrage n'est possible qu'avec le couvercle de la protection supérieure baissé.

#### 2) Bouton de stop "0"

Appuyer sur le bouton pour arrêter la machine.

#### 3) Levier déplacement rouleaux

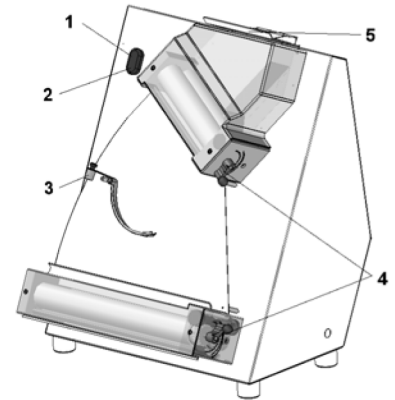
Tourner le levier vers le bas pour augmenter l'épaisseur. Tourner le levier vers le haut pour diminuer l'épaisseur. Serrer le pommeau après avoir trouvé la position souhaitée.

#### 4) Poignée contrepoids balancier (uniquement mod.FI32N-42N)

Dévisser la poignée et régler le contrepoids en fonction de la dimension et du poids de la portion de pâte. Visser la poignée lorsque le contrepoids se trouve dans la position souhaitée.

#### 5) Couverture de protection

Lever le couvercle pour introduire la pâte.



### Utilisation de la machine

- Régler par l'intermédiaire des leviers correspondants, l'épaisseur les 2 groupes de rouleaux. Les rouleaux supérieurs doivent être réglés avec une ouverture plutôt ample, alors que les rouleaux inférieurs doivent avoir une ouverture égale à l'épaisseur que l'on veut obtenir (pour effectuer correctement cette opération il faut effectuer certains essais).
- Régler la position du contrepoids balancier en fonction de la dimension et du poids de la portion à étendre, uniquement mod.FI32N-42N (pour effectuer correctement cette opération il faut effectuer certains essais).
- Vérifier que les racleurs soient dans la position correcte et que leurs ressorts soient bien tendus.
- Mettre en route la machine en appuyant sur le bouton de mise en route "I".
- Ecraser la portion de pâte et la fariner abondamment de façon à faciliter son passage à travers les rouleaux .
- Soulever le couvercle de la protection supérieure, faire glisser la pâte entre les deux rouleaux et refermer le couvercle (sans le laisser tomber, mais en l'accompagnant sur la butée).
- Attendre que la pâte sorte complètement de la prise des rouleaux supérieurs pour la faire glisser, cette fois, sur les rouleaux inférieurs qui l'écrasent, selon l'épaisseur réglée précédemment par la manette prévue à cet effet.
- Au terme du travail arrêter la machine en appuyant sur le bouton d'arrêt "0".

**i** **INFORMATIONS:** Pour les usages avec portions de pâte très irrégulières on conseille de démonter le balancier (uniquement mod.FI32N-42N) et de procéder à la rotation manuelle de la portion, au moment du passage entre les deux paires de rouleaux.

### Conseils d'utilisation

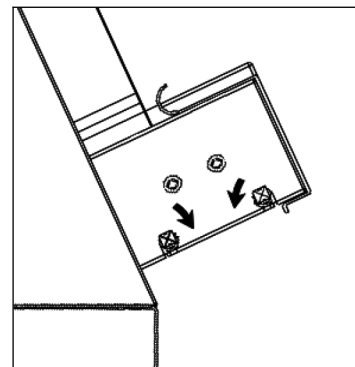
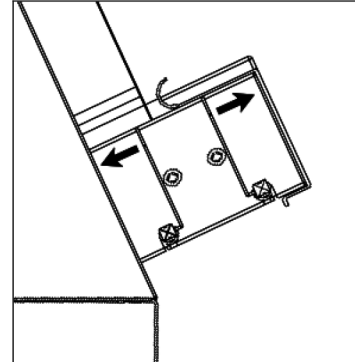
Utiliser toujours la machine avec une ouverture des rouleaux supérieurs très ample, afin d'éviter tout effort excessif de la part des organes de transmission. En outre écraser la portion de pâte et la fariner abondamment, avant de l'introduire dans la machine, afin de faciliter son passage à travers les rouleaux.

## Nettoyage en fin de journée

- En fin de journée débrancher la fiche de la prise de courant
- Effectuer un nettoyage minutieux à l'aide d'un chiffon mouillé avec des produits de nettoyage neutres, non corrosifs, non nocifs et ininflammables.
- Nettoyer les parties externes de la machine avec une éponge humide.
- Ne pas utiliser de paillettes métalliques et détergents abrasifs.

## Nettoyage des racleurs rouleaux

- Décrocher les ressorts, présents sur les rouleaux inférieurs, en les poussant vers l'extérieur.
- Tourner les pivots vers l'intérieur et procéder au nettoyage des racleurs avec un linge humide.
- Pour repositionner les racleurs procéder de la façon inverse avec les opérations décrites ci-dessus.



**i** **INFORMATIONS:** Avant chaque cycle de travail vérifier que les racleurs soient accrochés correctement.

## Longue inactivité de la machine

S'il fallait laisser la machine arrêtée pendant de longues périodes, déclencher l'interrupteur général à mur, effectuer un nettoyage général de la machine et la couvrir avec une toile afin de la protéger contre la poussière.

## Recherche pannes

En cas de pannes ou mauvais fonctionnement, débrancher l'interrupteur général à mur et contacter le Service Assistance de votre Revendeur. Eviter de démonter les parties internes de la machine.

**Le constructeur décline toute responsabilité pour les éventuelles altérations!**

## Inconvénients, causes, remèdes

Inconvénient	Cause	Remède
<b>La machine ne démarre pas</b>	Interrupteur général déclenché	Enclencher l'interrupteur général
	Manque de tension sur la ligne d'alimentation	Contacteur le Service Assistance de votre Revendeur
	Le moteur électrique ou la carte électronique sont défectueux.	Contacteur le Service Assistance de votre Revendeur
	Fusible de protection brûlé	Contacteur le Service Assistance de votre Revendeur
	Le couvercle de la protection des rouleaux supérieurs est levé	Baisser le couvercle





## PIZZATEIGAUSSROLLMASCHINE

### INHALT

#### ALLGEMEINE INFORMATIONEN

Zweck des Handbuchs.....	4
Identifikation des Herstellers und der Maschine.....	4
Informationen zur Sicherheit.....	4
Beschreibung der Maschine.....	5
Technische Eigenschaften.....	6
Außenabmessungen.....	6
Sicherheitsvorrichtungen.....	6

#### INFORMATIONEN ZUR INSTALLATION

Allgemeine Hinweise.....	7
Verpackung und Auspacken.....	7
Installationsbereich.....	7
Elektrischer Anschluss.....	7

#### INFORMATIONEN ZUM BETRIEB

Beschreibung der Bedienungselemente.....	8
Bedienung der Maschine.....	8
Empfehlungen für den Einsatz.....	8
Reinigung am Tagesende.....	9
Reinigung der Rollenabstreifer.....	9
Längere Außerbetriebsetzung der Maschine.....	9
Fehlersuche.....	9
Störungen, Ursachen, Behelfe.....	9

#### ANLAGEN

Entsorgung und Recycling
Ersatzteilkatalog
Elektrischer Schaltplan

# ALLGEMEINE INFORMATIONEN

## Zweck des Handbuchs

Dieses Handbuch wurde vom Hersteller verfasst und ist Bestandteil der Maschinenausstattung. Der Hersteller hat in der Entwicklungs- und Konstruktionsphase ein besonderes Augenmerk auf die Aspekte gerichtet, die Risiken hinsichtlich der Sicherheit und Gesundheit der mit der Maschine interagierenden Personen bedeuten könnten. Neben der Einhaltung der zuständigen gesetzlichen Vorschriften hat der Hersteller alle "Regeln der guten Konstruktionstechnik" befolgt. Zweck dieser Informationen ist es, den Anwender sensibel für die Vorbeugung jeglichen Risikos zu machen. Umsichtiges Arbeiten ist in jedem Fall unverzichtbar. Die Sicherheit liegt auch in den Händen aller Bediener, die mit der Maschine interagieren. Bewahren Sie dieses Handbuch an einem geeigneten Ort auf, sodass dieses im Bedarfsfall stets sofort greifbar ist. Zur besonderen Hervorhebung einiger Textstellen wurden folgende Symbole eingeführt:

**⚠ GEFAHR - ACHTUNG: Weist auf Gefahren hin, die schwere Verletzungen hervorrufen können. Hier ist besondere Vorsicht geboten.**

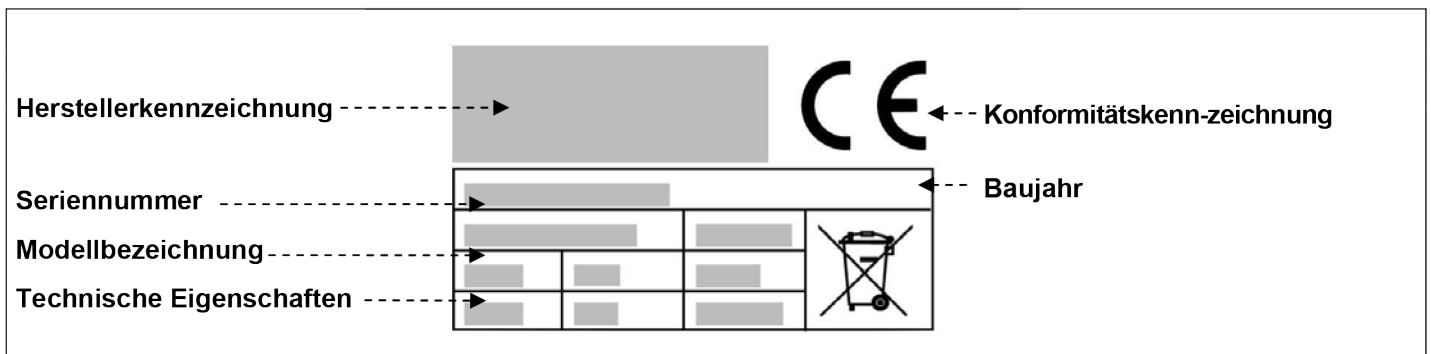
**i INFORMATIONEN: Technische Angaben von besonderer Wichtigkeit.**

Diesem Handbuch werden folgende Unterlagen beigelegt:

- Garantieurkunde mit den vom Hersteller vorgegebenen Garantiebedingungen.
- Dokumente zum Nachweis der Übereinstimmung mit den geltenden Gesetzen betreffend die Sicherheit und Gesundheit von Personen.

Bei allen Anforderungen des Technischen Kundendienstes, Fragen und Ersatzteilbestellungen nehmen Sie Kontakt mit dem autorisierten Händler auf.

## Identifikation des Herstellers und der Maschine



## Informationen zur Sicherheit

- Es ist von grundlegender Wichtigkeit, dieses Handbuch vor Installation und Gebrauch aufmerksam zu lesen. Die ständige Befolgung der im Handbuch enthaltenen Anweisungen gewährleisten die Sicherheit von Mensch und Maschine.
- Manipulieren Sie in keinem Fall die Sicherheitseinrichtungen.
- Die von den zuständigen Stellen in jedem Land herausgegebenen Arbeitssicherheitsvorschriften sind unbedingt einzuhalten.
- Der Hersteller übernimmt keinerlei Haftung für Schäden an Personen oder Gegenständen infolge der Nichtbeachtung von Sicherheitsvorschriften.
- Das für den elektrischen Anschluss befugte Personal muss prüfen, dass die Eigenschaften der Versorgungslinie mit den auf dem Schild der Maschine angegebenen übereinstimmen, und dass sie mit einem Differentialschalter und mit den geltenden Gesetzen und Normen entsprechenden Komponenten ausgerüstet ist.
- Die korrekte Aufstellung der Maschine, Beleuchtung und Sauberkeit des Arbeitsplatzes sind wichtige Voraussetzungen für die Personalsicherheit.
- Vor der Installation muss geprüft werden, dass der gewählte Bereich geeignet, ausreichend beleuchtet und stabil ist, und dass rund um die Maschine herum genügend Freiraum besteht, um die Wartungs- und Reinigungsarbeiten bequem ausführen zu können.
- Setzen Sie die Maschine keinen äußeren Agenzien aus.

## ALLGEMEINE INFORMATIONEN

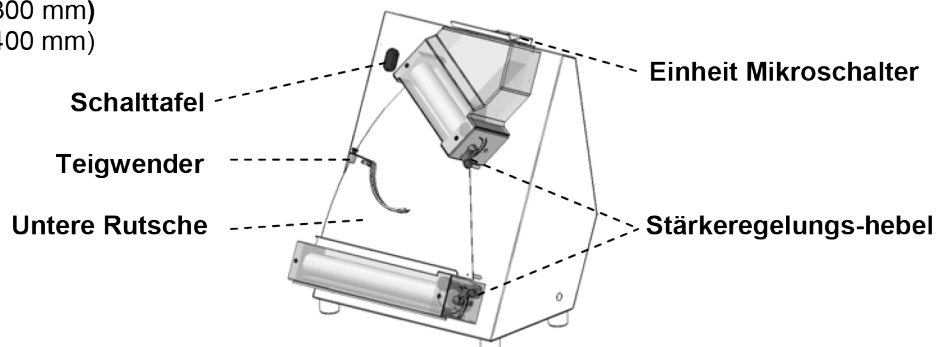
- Anschluss und Inbetriebnahme der Maschine sind nur von technischem Fachpersonal durchzuführen.
- Stellen Sie sicher, dass die Kenndaten der Anlage am Aufstellungsort der Maschine den auf dem Typenschild eingepprägten Werten entsprechen.
- Stellen Sie sicher, dass die Maschine mit einer Erdungsanlage verbunden ist.
- Der Arbeitsbereich um die Maschine herum ist stets sauber und trocken zu halten.
- Tragen Sie die von den Unfallverhütungsvorschriften vorgesehene Schutzkleidung.
- Diese Maschine darf nur für den vorgesehenen Einsatzbereich verwendet werden. Jeder andere Einsatz ist als unsachgemäß und somit als gefährlich zu betrachten.
- Überprüfen Sie die Eignung und das Gewicht der zu verarbeitenden Produkte. Überlasten Sie die Maschine nicht über Ihre Kapazität hinaus.
- Das Einführen von Gegenständen, Werkzeugen sowie das Greifen mit den Händen ins Innere gefährlicher Teile ist verboten.
- Kinder sind von der Maschine fern zu halten.
- Ziehen Sie den Netzstecker, wenn die Maschine nicht benutzt wird.
- Nehmen Sie bei Defekten und/oder Schäden keine eigenständigen Reparaturen vor, sondern wenden Sie sich an einen autorisierten Händler.
- Verlangen Sie stets Originalersatzteile.
- Vor der Reinigung der Maschine ziehen Sie den Netzstecker, um die Stromversorgung zu unterbrechen.
- Auf der Maschine dürfen keine losen Gegenstände herumliegen (Lappen, Werkzeug, Schlüssel, usw....), alle Schutzabdeckungen müssen gut befestigt und die Schutzvorrichtungen eingeschaltet sein.
- Verwenden Sie zur Reinigung der Maschine keine Hochdruck-Wasserstrahlen.
- Die Schaber unterhalb der unteren Walzen müssen korrekt und gut befestigt sein.
- Die Maschine wurde in Übereinstimmung mit den diesbezüglichen, anwendbaren Richtlinien der Europäischen Union hergestellt, als sie auf den Markt gelangte.

### Beschreibung der Maschine

Die Maschine ist ideal zum Ausrollen von rund geformtem Pizzateig.

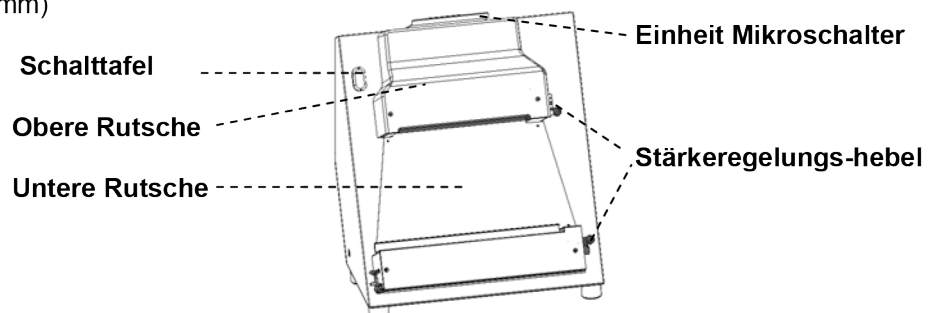
**F132N** (maximaler Pizzadurchmesser 300 mm)

**F142N** (maximaler Pizzadurchmesser 400 mm)



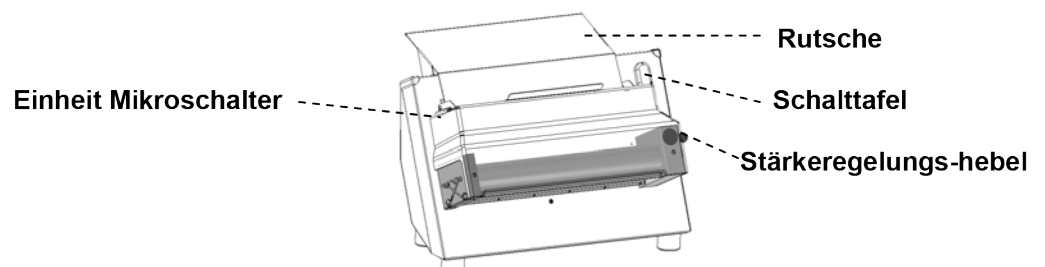
Die Maschine ist ideal zum Ausrollen von Teig für Pizza zum Backen auf dem Blech.

**FIP42N** (larghezza massima pizza 400mm)



Die Maschine ist ideal zum Ausrollen von Teig für Pizza zum Backen auf dem Blech

**FIM42** (larghezza massima pizza 400mm)



## Technische Eigenschaften

Beschreibungen	Maßeinheit	FI32N	FI42N	FIP42N	FIM42
Spannungs-versorgung	V Hz Ph	230V 50Hz 1Ph			
Leistung	kW (HP)	0.37 (0.5)	0.37 (0.5)	0.37 (0.5)	0.15 (0.5)
Breite der unteren Rollen	mm	320	420	420	420
Nettogewicht	kg	36	44	43	25
Gewicht mit Verpackung	kg	46	54	53	25
Geräuschpegel	dB(A)	< 70			
Installation		Auf dem Tresen			

## Außenabmessungen

mm	A	B	C	
FI32N	490	510	640	
FI42N	590	510	760	
FIP42N	590	510	700	
FIM42	560	420	455	

## Sicherheitseinrichtungen

**Mikroschalter:** Er stoppt die Maschine, wenn der Deckel angehoben wird, um Teig einzuführen.

**Schalter:** Wenn man darauf drückt, startet oder stoppt die Maschine.

**Rollenschutz:** Begrenzen das Risiko des Einquetschens der oberen Gliedmaßen. Es ist strengstens verboten, den Schutz vom Gerät zu entfernen. Die Herstellerfirma lehnt jede Haftung für Schäden an Personen oder Gegenständen ab, falls diese Vorschrift nicht eingehalten wird.

**Fernschalter:** Bei plötzlichem Stromausfall ist der bewusste Neustart der Maschine erforderlich.



## STENDIPIZZA

### INDICE

#### INFORMAZIONI GENERALI

Scopo del manuale.....	4
Identificazione Costruttore e macchina.....	4
Informazioni sulla sicurezza.....	4
Descrizione della macchina.....	5
Caratteristiche tecniche.....	6
Dimensioni d' ingombro.....	6
Dispositivi di sicurezza.....	6

#### MOVIMENTAZIONE ED INSTALLAZIONE

Avvertenze generali.....	7
Imballo e disimballo.....	7
Zona d' installazione.....	7
Collegamento elettrico.....	7

#### FUNZIONAMENTO

Descrizione dei comandi.....	8
Uso della macchina.....	8
Consigli d' uso.....	8
Pulizia a fine giornata.....	9
Pulizia dei raschiatori rulli.....	9
Lunga inattività della macchina.....	9
Ricerca guasti.....	9
Inconvenienti, cause, rimedi.....	9

#### ALLEGATI

Smaltimento e riciclaggio
Catalogo ricambi
Schema elettrico

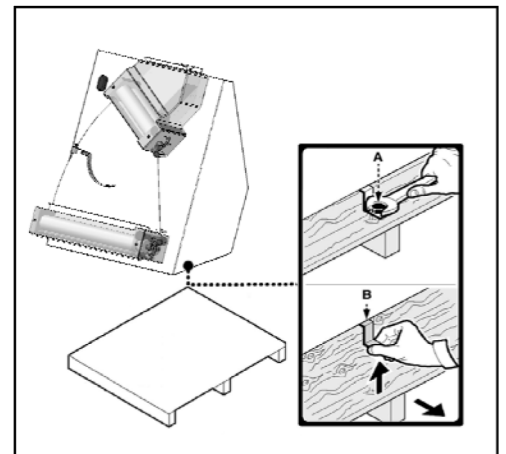
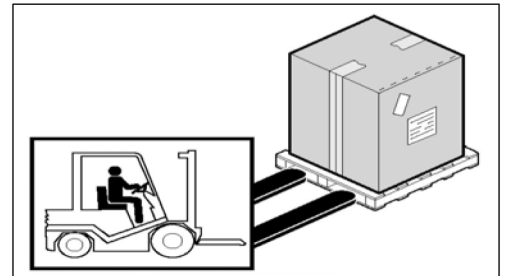


## Allgemeine hinweise

Der Transport der Maschine muss von qualifiziertem Personal ausgeführt werden. Dabei ist darauf zu achten, dass die Maschinenteile nicht durch Stöße oder Belastungen durch nicht zulässige Hebevorgänge beschädigt werden. Schäden, die an der Maschine während des Transports und der Bewegung verursacht werden, sind nicht durch die Garantie abgedeckt. Reparaturen oder Austausch von beschädigten Teilen gehen zu Lasten des Kunden.

## Verpackung und Auspacken

- Die Gabel des Gabelstaplers (mit geeigneter Tragfähigkeit) in mittlerer Position gegenüber der Kistenlänge einschieben.
- Sicherstellen, dass die Rückseite der Verpackung frei von Hindernisse ist.
- Die Kiste vorsichtig anheben und an den Ort transportieren, an dem die Maschine ausgepackt wird. Ein ruckweises Fahren sowie plötzliche Stöße vermeiden.
- Öffnen Sie die Packung und prüfen Sie die Unversehrtheit aller Komponenten. Bewahren Sie das Verpackungsmaterial für zukünftige Umzüge auf.
- Die Schrauben **A** lockern und die Maschine von der Palette heben.
- Die Maschine aufheben, die Bügel **B** entfernen und die Maschine am Installationsort aufstellen.



## Installationsbereich

Der vorgesehene Bereich muss ausreichend beleuchtet sein und über eine Steckdose zur Abgabe elektrischen Stroms verfügen. Die Maschine stabil und definitiv auf einer ebenen, waagrechten Unterlagefläche mit angemessener Traglast positionieren, dabei das maximale Gewicht der Maschine berücksichtigen. Sicherstellen, dass die Maschine mit der richtigen mechanischen Stabilität versehen ist.

Die Stützfläche muss groß genug, gut nivelliert und trocken sein. Die Installation hat in nicht explosionsgefährdeten Umgebungen zu erfolgen. In jedem Fall ist die Installation auch unter Beachtung der geltenden gesetzlichen Vorschriften zur Arbeitssicherheit durchzuführen.

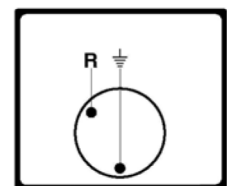
**Tabelle mit Umgebungsbedingungen**

Beschreibungen	Werte
Betriebstemperatur	0+35 °C (32+95 °F)
Lagertemperatur	-15 bis +65 °C (von -6.8 bis +149 °F)
Relative Luftfeuchtigkeit	Maximal 80% bei einer Umgebungstemperatur von 20 °C Maximal 50% bei einer Umgebungstemperatur von 20+60 °C
Staubaufkommen	unter 0.03 g/m <sup>3</sup>

## Elektrischer Anschluss

**⚠ GEFAHR - ACHTUNG: Der elektrische Anschluss an das Stromnetz ist Fachpersonal herzustellen**

Stellen Sie die perfekte Wirksamkeit der Erdungsanlage im Betrieb sicher. Stellen Sie sicher, dass Leitungsspannung (**V**) und -frequenz (**Hz**) den für die Maschine vorgesehenen Werten entsprechen (siehe Typenschild und elektrischen Schaltplan). Die Maschine ist mit einem Elektrokabel zum Anschluss eines Mehrpolsteckers ausgestattet. Der Stecker ist mit einem Wandschalter zu verbinden, der mit Differential ausgestattet ist.



# INFORMATIONEN ZUR BEDIENUNG UND REINIGUNG

## Beschreibung der Bedienungselemente

### 1) Start-Taster "I"

Drücken Sie den Taster zum Starten der Maschine, der Start ist nur dann freigegeben, wenn der Deckel der oberen Abdeckung nach unten gesenkt ist.

### 2) Stop-Taster "0"

Drücken Sie den Taster zum Abschalten der Maschine.

### 3) Rollenverschiebehebel (nur Mod. FI32N-42N)

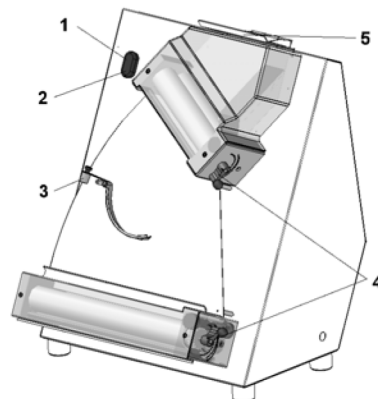
Drehen Sie den Hebel nach unten, um die Stärke zu erhöhen. Drehen Sie den Hebel nach oben, um die Stärke zu verringern. Den Knopf festschrauben, wenn die gewünschte Position erreicht ist.

### 4) Teigwender-Gegengewichts-Knauf

Lösen Sie den Knauf und stellen Sie das Gegengewicht je nach Größe und Gewicht der Teigportion ein. Schrauben Sie den Knauf zu, sobald sich das Gegengewicht in der gewünschten Position befindet.

### 5) Schutzhülle

Den Deckel anheben, um den Teig einzuführen.



## Bedienung der Maschine

- Regulieren Sie mit Hilfe der vorgesehenen Hebel die Stärke auf beiden Rollengruppen. Die oberen Rollen sind mit einer eher weiten Öffnung einzustellen, während die die unteren Rollen eine Öffnung gleich der gewünschten Stärke aufweisen sollten.
- Stellen Sie die Position des Teigwender-Gegengewichts je nach Größe und Gewicht der auszurollenden Teigportion ein, nur Mod. FI32N-42N (zur korrekten Durchführung dieses Vorgangs sind einige Probeläufe erforderlich).
- Stellen Sie sicher, dass sich die Abstreifer in der korrekten Position befinden und dass deren Federn gut gespannt sind.
- Starten Sie die Maschine durch Drücken des Start-Tasters "I".
- Drücken Sie die Teigportion zusammen und mehlen Sie diese gut ein, damit der Durchgang durch die Rollen unterstützt wird.
- Schalten Sie die Maschine am Ende der Bearbeitung durch Drücken des Stopp-Tasters "0" ab.

**i** **INFORMATIONEN:** Bei Anwendungen mit sehr ungleichmäßigen Teigportionen empfiehlt es sich, den Teigwender abzumontieren (nur Mod. FI32N-42N) und die Teigportion beim Durchgang zwischen den beiden Rollenpaaren von Hand zu drehen.

## Empfehlungen für den Einsatz

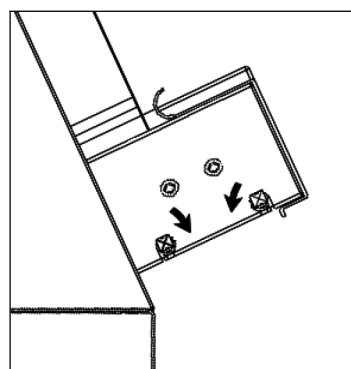
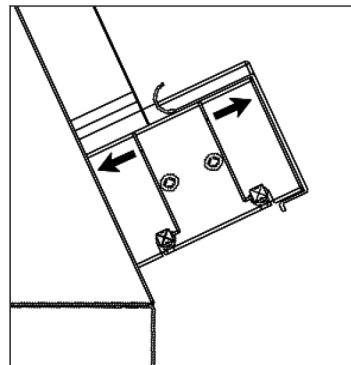
Benutzen Sie die Maschine stets mit einer sehr weiten Öffnung der oberen Rollen, um eine Überlastung der Antriebsorgane zu vermeiden. Drücken Sie darüber hinaus die Teigportion zusammen und mehlen Sie diese vor der Einführung in der Maschine gut ein, um den Durchgang durch die Rollen zu unterstützen.

## Reinigung am Tagesende

- Ziehen Sie am Ende des Arbeitstages den Netzstecker.
- Die Maschine mit einem feuchten Lappen und einem neutralen, nicht ätzenden, nicht schädlichen und nicht entflammaren Reinigungsmittel säubern.
- Reinigen Sie die Außenteile der Maschine mit einem feuchten Schwamm
- Verwenden Sie keine Stahlwollen oder Scheuermittel.

## Reinigung der Rollenabstreifer

- Hängen Sie die an den unteren Rollen befindlichen Federn aus, indem Sie diese nach außen drücken.
- Drehen Sie die Bolzen nach innen und reinigen Sie die Abstreifer mit einem feuchten Tuch.
- Zur Neupositionierung der Abstreifer sind die oben beschriebenen Operationen in umgekehrter Reihenfolge durchzuführen.



## Längere Außerbetriebsetzung der Maschine

Wenn die Maschine für längere Zeit außer Betrieb gesetzt werden soll, stellen Sie den Hauptschalter an der Wand ab, führen eine allgemeine Reinigung der Maschine durch und bedecken diese mit einem Tuch zum Schutz gegen Staub.

## Fehlersuche

Bei Defekten oder Betriebsstörungen trennen Sie den Hauptschalter und nehmen Kontakt mit dem Technischen Kundendienst Ihres Händlers auf. Montieren Sie nicht die internen Teile der Maschine ab.

**Der Hersteller übernimmt keinerlei Haftung für eventuelle Manipulationen!**

## Störungen, Ursachen und Behelfe

Störung	Ursache	Behelf
<b>Die Maschine startet nicht</b>	Hauptschalter abgestellt	Stellen Sie den Hauptschalter auf "I"
	Spannung auf der Versorgungsleitung fehlt	Nehmen Sie Kontakt mit dem Technischen Kundendienst Ihres Händlers auf
	Der Elektromotor oder die Steuerkarte sind defekt.	Nehmen Sie Kontakt mit dem Technischen Kundendienst Ihres Händlers auf
	Schmelzsicherung durchgebrannt	Nehmen Sie Kontakt mit dem Technischen Kundendienst Ihres Händlers auf
	Schutzabdeckung obere Walzen angehoben	Schutzabdeckung senken



## FORMADORA BASE PIZZA

### ÍNDICE

#### INFORMACIÓN GENERAL

Objetivo del manual.....	4
Identificación Fabricante y máquina.....	4
Información sobre la seguridad.....	4
Descripción de la máquina.....	5
Características técnicas.....	6
Dimensiones de la máquina.....	6
Dispositivos de seguridad.....	6

#### INFORMACIÓN SOBRE LA INSTALACIÓN

Instrucciones generales.....	7
Embalaje y desembalaje.....	7
Zona de instalación.....	7
Conexión eléctrica.....	7

#### INFORMACIÓN SOBRE EL FUNCIONAMIENTO

Descripción de los mandos.....	8
Uso de la máquina.....	8
Consejos para el uso .....	8
Limpieza al final de la jornada.....	9
Limpieza de los raspadores de rodillos.....	9
Prolongada inactividad de la máquina.....	9
Busqueda de averías, .....	9
Inconvenientes, causas, soluciones.....	9

#### ANEXOS

Eliminación y reciclado
Catálogo repuestos
Esquema eléctrico

## Objetivo del manual

Este manual ha sido redactado por el Fabricante y forma parte de la dotación de la máquina. El fabricante, durante la fase de proyecto y fabricación, ha dado especial importancia a los aspectos que puedan comprometer la seguridad y la salud de las personas que interactúan con el equipo. Además del respeto de las leyes vigentes en la materia, ha adoptado todas las “reglas de buena técnica de fabricación”. La finalidad de esta información es la de sensibilizar a los usuarios para que presten especial atención sobre como evitar cualquier riesgo. La prudencia no puede sustituirse. La seguridad está en manos de todos aquellos operadores que interactúan con el equipo. Conservar este manual en un lugar adecuado, para que esté siempre al alcance para su consulta. Para poner en evidencia algunas partes del texto, se ha introducido la siguiente simbología:

**⚠ PELIGRO – ATENCIÓN:** indica los peligros de pueden ocasionar lesiones graves; es necesario prestar atención.

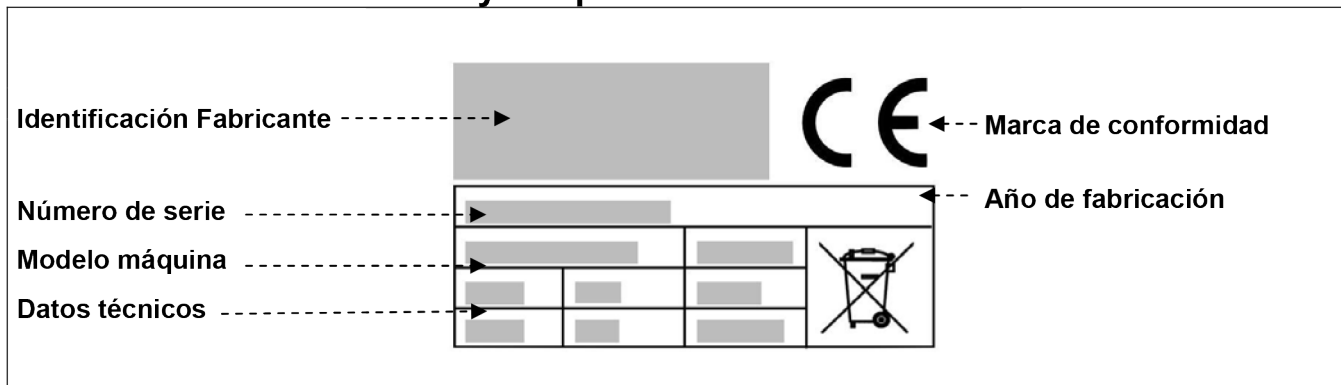
**ℹ INFORMACIÓN:** indicaciones técnicas de especial importancia.

Con el presente manual se adjuntan:

- La certificación de garantía donde se detallan las condiciones de garantía dictadas por el Fabricante.
- Los documentos que certifican la conformidad con las leyes vigentes en materia de seguridad y salud de las personas.

Para cualquier solicitud de Asistencia técnica, información y pedido de repuestos, contactar al Revendedor Autorizado.

## Identificación Fabricante y máquina



## Información sobre la seguridad

- Es de importancia capital consultar atentamente este manual antes de realizar las operaciones de instalación y de uso. El cumplimiento constante de las indicaciones contenidas en el manual garantiza la seguridad del hombre y de la máquina.
- No forzar por ninguna razón los dispositivos de seguridad.
- Se recomienda el riguroso respeto de las normas de seguridad en el trabajo emanadas por los entes de cada país.
- El fabricante declina cualquier responsabilidad por daños a personas o cosas, debidos al incumplimiento de las normas de seguridad.
- El personal autorizado para realizar la conexión eléctrica debe comprobar que las características de la línea de alimentación se ajusten a los datos referidos en la placa, que disponga de un interruptor diferencial y que sus componentes estén en conformidad con las leyes y las normas en vigor.
- El correcto emplazamiento de la máquina, la iluminación y la limpieza del ambiente son condiciones importantes para preservar la seguridad personal.
- No exponer la máquina a los agentes atmosféricos.
- Antes de la instalación, hay que comprobar que la zona elegida sea idónea y estable, esté suficientemente iluminada y tenga un espacio alrededor suficiente para efectuar fácilmente la limpieza y el mantenimiento.
- Las conexiones para el funcionamiento de la máquina deben ser realizados por personal técnico especializado.

## INFORMACIÓN GENERAL

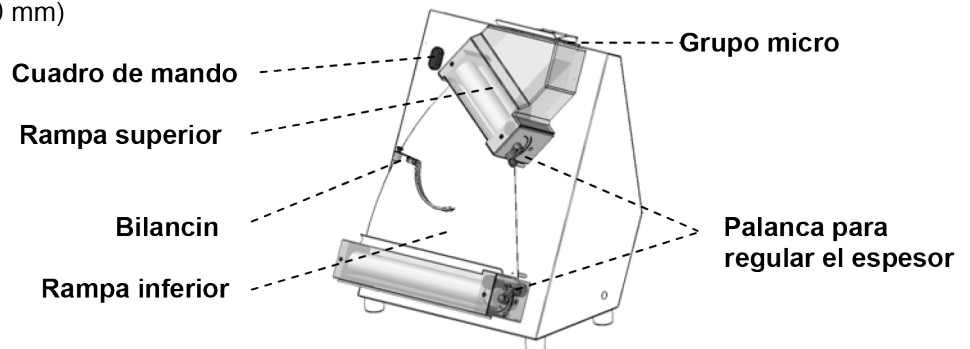
- Verificar que las características de la instalación donde se emplazará la máquina corresponden a los datos de la placa.
- Asegurarse que la máquina tenga conexión a tierra.
- La zona de trabajo alrededor de la máquina debe mantenerse siempre limpia y seca.
- Utilizar la indumentaria prevista por las normas de prevención de accidentes en el trabajo.
- Esta máquina debe destinarse solamente al uso para el que se ha previsto; cualquier otro uso se considera impropio y por lo tanto peligroso.
- Verificar la idoneidad y el peso de los productos a elaborar; no sobrecargar la máquina superando su capacidad.
- Queda prohibido introducir objetos, utensilios, manos, etc., dentro de las partes peligrosas.
- Mantener la máquina siempre fuera del alcance de los niños.
- Desconectar el enchufe de la toma de corriente cuando la máquina no se utiliza.
- En caso de averías y/o inconvenientes de uso, no realizar reparaciones personalmente y contacte al Revendedor autorizado.
- Hay que comprobar que en la máquina no haya piezas sueltas (trapos, arneses, llaves, etc.), que todas las protecciones estén perfectamente fijadas y los dispositivos de protección activados.
- Solicitar repuestos originales.
- Antes de realizar la limpieza de la máquina, desconectarla de la alimentación eléctrica sacando el enchufe.
- Para la limpieza no utilizar chorros de agua a alta presión.
- Las rasquetas, situadas bajo los rodillos inferiores, deben estar perfectamente fijadas.
- La máquina ha sido fabricada respetando las Directivas de la Unión Europea pertinentes y aplicables en el momento de su introducción en el mercado.

### Descripción de la máquina

La máquina es ideal para extender la masa de pizza de forma circular.

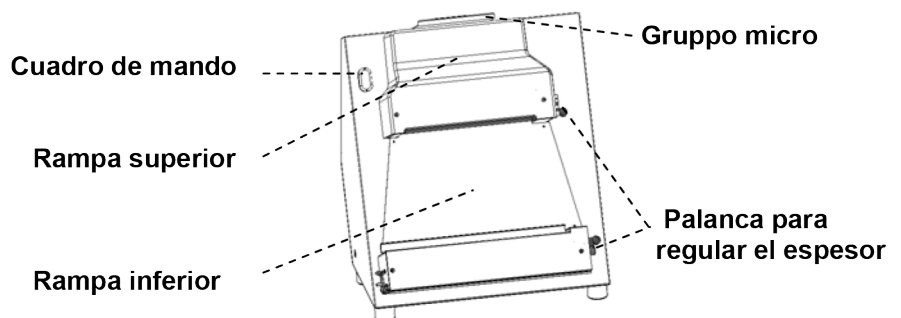
**F132N** (diámetro máximo pizza 300 mm)

**F142N** (diámetro máximo pizza 400 mm)



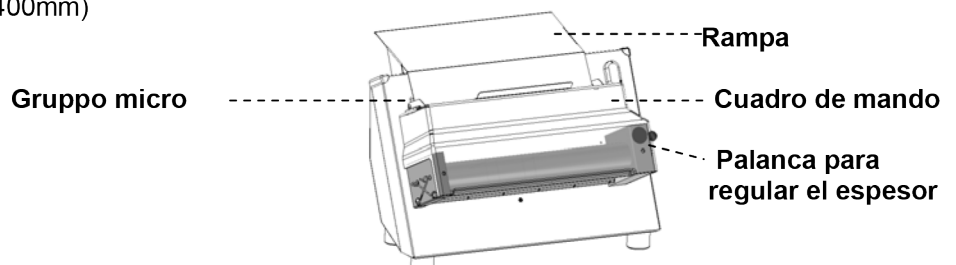
La máquina es ideal para extender la masa de pizza que se cocina en fuente.

**FIP42N** (larghezza massima pizza 400mm)



La máquina es ideal para extender la masa de pizza que se cocina en fuente.

**FIM42N** (larghezza massima pizza 400mm)



**Características técnicas**

Descripciones	Unidad de medida	FI32N	FI42N	FIP42N	FIM42
Alimentación con energía eléctrica	V Hz Ph	230V 50Hz 1Ph			
Potencia	kW (HP)	0.37 (0.5)	0.37 (0.5)	0.37 (0.5)	0.15 (0.5)
Longitud rodillos inferiores	mm	320	420	420	420
Peso neto	kg	36	44	43	25
Peso con embalaje	kg	46	54	53	25
Nivel de ruido	dB(A)	< 70			
Instalación		En el banco			

**Dimensiones de la máquina**

mm	A	B	C	
FI32N	490	510	640	
FI42N	590	510	760	
FIP42N	590	510	700	
FIM42	560	420	455	

**Dispositivos de seguridad**

**Microinterruptor:** detiene la máquina cada vez que se levanta la tapa para introducir la masa.

**Interruptor:** Si se presiona, pone en marcha o detiene la máquina

**Protecciones rodillos:** limitan la posibilidad de que los miembros superiores queden atrapados. Queda absolutamente prohibido quitarlas del aparato. La empresa fabricante declina cualquier responsabilidad por daños a personas o cosas si dicha prescripción no es respetada.

**Telerruptor:** en caso de corte de corriente accidental, solicita la puesta en marcha voluntaria de la máquina

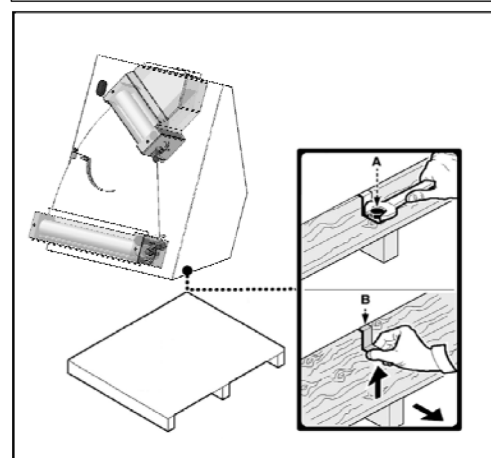
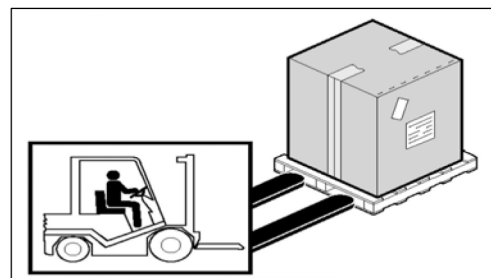
# INFORMACIÓN SOBRE LA INSTALACIÓN

## Instrucciones generales

O transporte da máquina deve ser sempre efetuado por operadores qualificados, é preciso tomar muito cuidado para evitar qualquer tipo de dano nos seus componentes devido aos impactos ou esforços causados pela modalidade de elevação inadequada. Os danos causados durante o Transporte e a Movimentação da máquina, não são cobertos pela garantia. A reparação ou a substituição dos componentes danificados ficam a cargo do Cliente.

## Embalaje y desembalaje

- Introduza os garfos do empilhador (de capacidade adequada) no centro em relação ao comprimento da caixa.
- Certifique-se de que a parte de trás da embalagem está livre de obstáculos.
- Eleve a caixa com cuidado e leve-a para o local onde a embalagem será removida, evitando solavancos e arrancões repentinos
- Abrir el embalaje y comprobar la integridad de todos los componentes. Conservar el embalaje para mudanzas futuras.
- Destornille los tornillos **A** y levante la caja del pallet.
- Levante la máquina, quite los estribos **B** y colóquela en la zona elegida para la instalación.



## Zona de instalación

La zona destinada a la instalación deberá estar iluminada de forma adecuada y deberá disponer de una toma de distribución de la energía eléctrica. Coloque la máquina de forma estable y definitiva en una superficie plana, en posición horizontal, cuya capacidad de carga sea adecuada, teniendo en cuenta el peso máximo de la máquina. Asegúrese de que la máquina tenga la estabilidad mecánica correcta.

El plano de apoyo debe ser suficientemente espacioso, bien nivelado y seco. La instalación debe realizarse en ambientes con atmósfera no explosiva. En cualquier caso, la instalación debe realizarse teniendo en cuenta, además, las leyes vigentes en materia de seguridad en el trabajo.

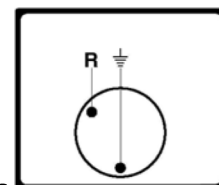
**Tabla de Condiciones ambientales**

Descripciones	Valores
Temperatura de funcionamiento	5÷40 °C (41÷104 °F)
Temperatura de almacenamiento	5 a 40 °C (de 41 a +104 °F)
Humedad relativa	Máxima 95% con temperatura ambiente entre 5÷40 °C (41÷104 °F) Máxima 50% con temperatura ambiente entre 20÷60 °C
Presencia de polvo en el ambiente	Inferior a 0.03 g/m <sup>3</sup>

## Conexión eléctrica

**⚠ PELIGRO – ATENCIÓN: La conexión monofásica a la red de alimentación debe ser realizada por personal especializado**

Asegurarse la perfecta eficiencia de la conexión a tierra del establecimiento. Verificar que la tensión de línea (**Volt**) y la frecuencia (**Hz**) correspondan con la de la máquina (ver placa de identificación o el esquema). La máquina esta dotada de cable eléctrico con enchufe. El enchufe debe conectarse a un interruptor de pared con diferencial. El enchufe debe conectarse a un interruptor de pared con diferencial.





## Descripción de los mandos

### 1) Pulsador start “I”

Accionar el pulsador para poner en marcha la máquina. La puesta en marcha solo se habilita con la tapa de la protección superior bajada.

### 2) Pulsador stop “0”

Apretar el pulsador para parar la máquina.

### 3) Palanca desplazamiento rodillos

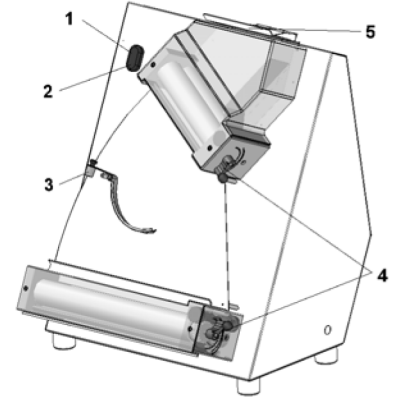
Girar la palanca hacia abajo para aumentar el espesor. Girar la palanca hacia arriba para disminuir el espesor. .Apriete el mango esférico cuando haya encontrado la posición deseada.

### 4) Pomo contrapeso balancín (sólo en el mod. FI32N-42N)

Aflojar el pomo y regular el contrapeso en base al tamaño y al peso de la porción de masa. Ajustar el pomo cuando el contrapeso de encuentra en la posición deseada.

### 5) Cubierta de protección

Levante la tapa para introducir la masa.



## Uso de la máquina

- Regular el espesor con las palancas específicas colocadas en ambos grupos de rodillos. Los rodillos superiores deben regularse con una abertura preferentemente amplia, mientras que los rodillos inferiores deben poseer una abertura igual al espesor que se desea conseguir (para realizar correctamente esta operación es necesario primero realizar algunas pruebas).
- Regular la posición del contrapeso balancín en base al tamaño y al peso de la porción de masa a estirar, sólo en el mod. FI32N-42N ( para ejecutar correctamente esta operación es necesario realizar primero algunas pruebas).
- Comprobar que los raspadores se encuentren en la posición correcta y que sus resortes se encuentren bien tensados.
- Poner en marcha la máquina presionando el pulsador de encendido “I”.
- Aplastar la porción de masa y enharinarla en abundancia para facilitar el paso a través de los rodillos.
- Levantar a tampa da proteção superior, deixar deslizar a massa no meio dos dois rolos e fechar a tampa (sem soltar, segurando-a até encaixar perfeitamente).
- Aguardar até que a massa saia completamente da compressão dos rolos superiores para fazê-la deslizar, dessa vez, nos rolos inferiores que a comprimem de acordo com a espessura regulada anteriormente com a alavanca de regulação da espessura.
- Al terminar la elaboración detener la máquina presionando el pulsador de parada “0”.

**i INFORMAZIONI:** Cuando se trabaja con porciones de masa muy irregulares, se aconseja desmontar el balancín (sólo en el mod. FI32N-42N) y efectuar la rotación manual de la porción cuando pase entre los dos pares de rodillos.

## Consejos para el uso

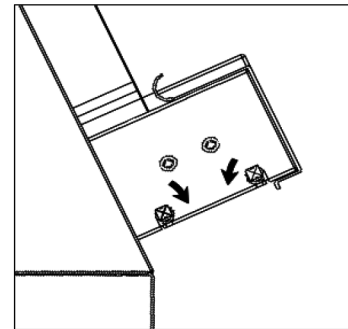
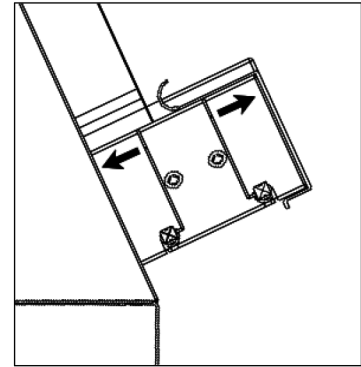
Siempre utilizar la máquina con una abertura de rodillos superior muy amplia, de esta forma se evitan esfuerzos excesivos en los órganos de transmisión. Por otro lado, aplastar la porción de masa y enharinarla en abundancia antes de introducirla en la máquina, de esta forma se facilita su paso a través de los rodillos.

## Limpeza al final de la jornada

- Al final de la jornada desconectar el enchufe de la toma de corriente.
- Limpie cuidadosamente la máquina utilizando un paño humedecido con productos de limpieza neutros, no corrosivos, nocivos ni inflamables.
- Limpiar las partes externas de la máquina con una esponja húmeda.
- No utilizar esponjas metálicas o detergentes abrasivos.

## Limpeza de los raspadores de rodillos

- Desenganchar los resortes colocados en los rodillos inferiores, presionando los mismos hacia fuera.
- Girar los pernos hacia el interior y realizar la limpieza de los raspadores con un paño húmedo.
- Para volver a posicionar los raspadores ejecutar de forma inversa las operaciones descritas.



## Prolongada inactividad de la máquina

Si se debe dejar la máquina parada por períodos prolongados, desconectar el interruptor general de la pared, realizar una limpieza general de la máquina y cubrirla con un paño para protegerla del polvo.

## Busqueda de averias

En caso de averías o malfuncionamiento, desconectar el interruptor general de la pared y contactar el servicio de asistencia de vuestro Revendedor. Evitar desmontar las partes internas de la máquina.

**El fabricante declina cualquier responsabilidad por eventuales forzamientos!**

## Inconvenientes, causas, soluciones

Inconveniente	Causa	Solución
<b>La máquina no se pone en marcha</b>	Interruptor general de pared desconectado	Colocar el interruptor general en "I"
	Falta de tensión en la línea de alimentación	Contactar el Servicio de Asistencia de vuestro Revendedor.
	O motor eléctrico ou a placa eletrónica estão com defeito	Contactar el Servicio de Asistencia de vuestro Revendedor.
	Fusible de protección quemado	Contactar el Servicio de Asistencia de vuestro Revendedor.
	Tapa de protección de los rodillos superiores levantada	Baje la tapa

## Scopo del manuale

Questo manuale è stato redatto dal Costruttore ed è parte integrante del corredo della macchina. Egli, in fase di progettazione e costruzione, ha posto particolare attenzione agli aspetti che possono provocare rischi alla sicurezza e alla salute delle persone che interagiscono con la macchina. Oltre al rispetto delle leggi vigenti in materia, egli ha adottato tutte le "regole della buona tecnica di costruzione". Scopo di queste informazioni è quello di sensibilizzare gli utenti a porre particolare attenzione per prevenire qualsiasi rischio. La prudenza è comunque insostituibile. La sicurezza è anche nelle mani di tutti gli operatori che interagiscono con la macchina. Conservare questo manuale in un luogo appropriato, al fine di averlo sempre a portata di mano per la sua consultazione. Per mettere in evidenza alcune parti del testo, sono stati inseriti i seguenti simboli:



**PERICOLO – ATTENZIONE:**

indica i pericoli che possono provocare gravi lesioni; è necessario prestare attenzione



**INFORMAZIONI:** indicazioni tecniche di particolare importanza

Al presente manuale vengono allegati:

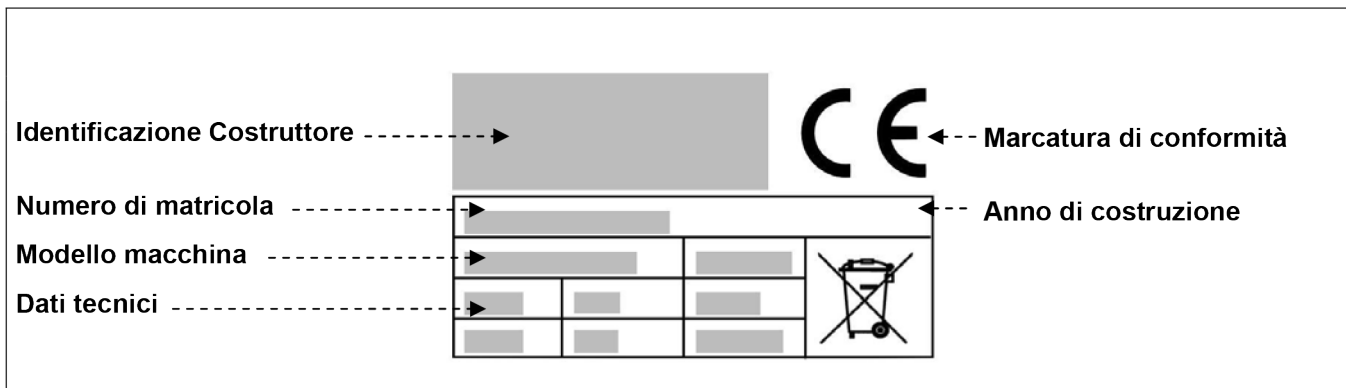
- Il certificato di garanzia in cui sono riportate le condizioni di garanzia dettate dal Costruttore.
- I documenti che attestano la conformità alle leggi vigenti in materia di sicurezza e salute delle persone.

Per qualsiasi richiesta di Assistenza tecnica, informazioni e ordini di ricambi, contattare il Rivenditore autorizzato.

## Identificazione Costruttore e macchina

La targhetta di identificazione raffigurata è applicata direttamente sull'apparecchiatura.

In essa sono riportati i riferimenti e tutte le indicazioni indispensabili alla sicurezza di esercizio.



## Informazioni sulla sicurezza

- È di basilare importanza consultare attentamente questo manuale prima di procedere alle operazioni di installazione e uso. La costante osservanza delle indicazioni contenute nel manuale garantisce la sicurezza dell'uomo e della macchina.
- Non manomettere per nessuna ragione i dispositivi di sicurezza.
- Si raccomanda il rispetto rigoroso delle norme di sicurezza sul lavoro emanate dagli enti preposti in ogni nazione.
- Il costruttore declina ogni responsabilità per danni a persone o cose, conseguenti l'inosservanza delle norme di sicurezza.
- Il personale autorizzato ad effettuare l'allacciamento elettrico deve verificare che le caratteristiche della linea di alimentazione corrispondano a quanto riportato nella targhetta, che essa sia equipaggiata con interruttore differenziale e con componenti conformi alle leggi e alle norme vigenti.
- Non esporre la macchina agli agenti atmosferici.
- L'installazione della macchina deve essere eseguita solo da personale tecnico specializzato.
- Prima dell'installazione, verificare che la zona scelta sia idonea, sufficientemente illuminata, stabile e che abbia uno spazio circostante sufficiente per effettuare agevolmente la pulizia e la manutenzione.
- Verificare, che il piano di appoggio sia stabile, livellato e che la sua superficie sia facilmente pulibile dai residui per evitare il rischio di accumulo di sporco e di contaminazione dei prodotti alimentari.





## MÁQUINA PARA ESTENDER PIZAS

### ÍNDICE

#### INFORMAÇÕES GERAIS

Finalidade do manual.....	4
Identificação do Construtor e da máquina.....	4
Informações sobre a segurança .....	4
Descrição das máquinas.....	5
Características técnicas.....	6
Dimensões de estorvo.....	6
Dispositivos de segurança .....	6

#### INFORMAÇÕES SOBRE A INSTALAÇÃO

Instruções gerais.....	7
Embalagem e desembalagem.....	7
Lugar da instalação.....	7
Ligação eléctrica.....	7

#### INFORMAÇÕES SOBRE O FUNCIONAMENTO

Descrição dos comandos.....	8
Uso da máquina .....	8
Conselhos para o uso .....	8
Limpeza diária .....	9
Limpeza dos raspadores dos rolos .....	9
Longo período de inactividade da máquina.....	9
Solução de problemas.....	9
Inconvenientes, causas, soluções.....	9

#### ANEXOS

Desactivação e reciclagem
Catálogo peças sobresselentes
Esquema eléctrico

## Finalidade do manual

O presente manual foi redigido pelo Construtor e é parte integrante da dotação da máquina. O construtor, em fase de projecto e construção, focalizou a própria atenção nas situações que pudessem ser fonte de risco para a segurança e para a saúde das pessoas que entrem em contacto com a máquina. Para além da observância das leis em vigor em matéria, adoptou todas as “regras de boa técnica de construção”. Finalidade destas informações é a de sensibilizar o utilizador para que preste muita atenção de modo a prevenir qualquer tipo de risco. De qualquer maneira, a prudência é insubstituível. A segurança está também nas mãos de quem utiliza a máquina. Guarde este manual num lugar próprio de modo a tê-lo sempre ao alcance quando for necessário. Para evidenciar algumas partes do texto, foram inseridos os seguintes símbolos:

**⚠ PERIGO – ATENÇÃO:** indica os perigos que podem provocar graves lesões; é necessário prestar muita atenção.

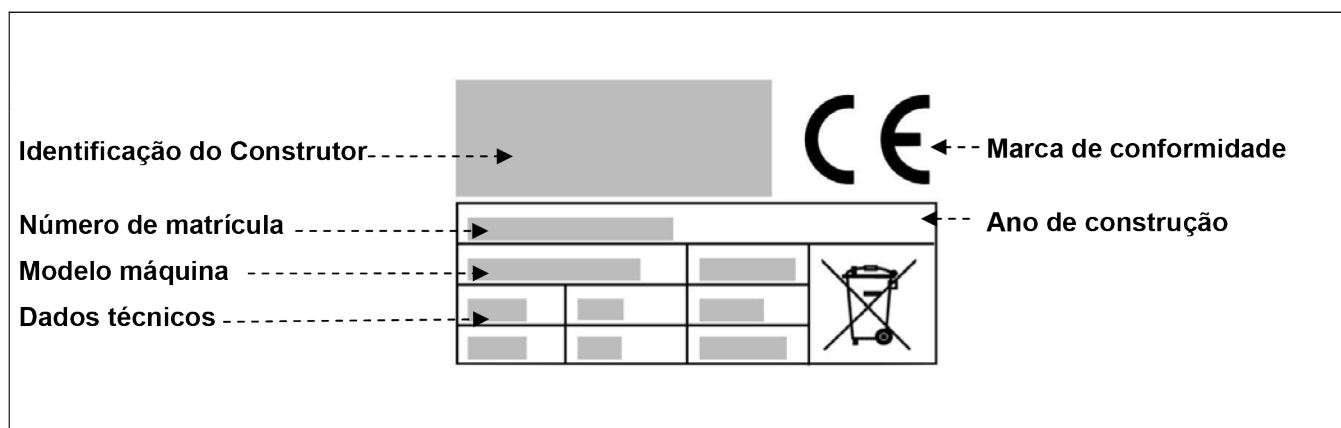
**i INFORMAÇÕES:** indicações técnicas de particular importância.

Anexa-se a este manual:

- O certificado de garantia onde figuram as condições de garantia indicadas pelo Construtor.
- Os documentos que atestam a conformidade com as leis em vigor em matéria de segurança e saúde das pessoas.

Para qualquer pedido de Assistência técnica, informações e peças sobresselentes, contacte o Revendedor autorizado.

## Identificação do Construtor e da máquina



## Informações sobre a segurança

- É muito importante a leitura cuidadosa deste manual antes de proceder às operações de instalação e uso. O cumprimento das indicações contidas no manual garante a segurança do indivíduo e da máquina.
- Nunca altere os dispositivos de segurança.
- Recomenda-se o respeito rigoroso das normas de segurança no trabalho indicadas pelas entidades de cada país.
- O construtor declina qualquer responsabilidade sobre danos a pessoas ou coisas causados pela inobservância das normas de segurança.
- O pessoal autorizado a efetuar a ligação elétrica deve verificar se as características da linha de alimentação são compatíveis com as informações referidas na placa, se a linha está equipada com interruptor diferencial e com componentes que cumprem as leis e normas vigentes.
- A correcta posição da máquina, a iluminação e a limpeza do ambiente de trabalho, são condições importantes para a segurança pessoal.
- Não exponha a máquina aos agentes atmosféricos.
- Antes da instalação, verificar se a zona escolhida é adequada, suficientemente iluminada, estável e se tem um espaço circunstante suficiente para efetuar com comodidade a limpeza e a manutenção.

## INFORMAÇÕES GERAIS

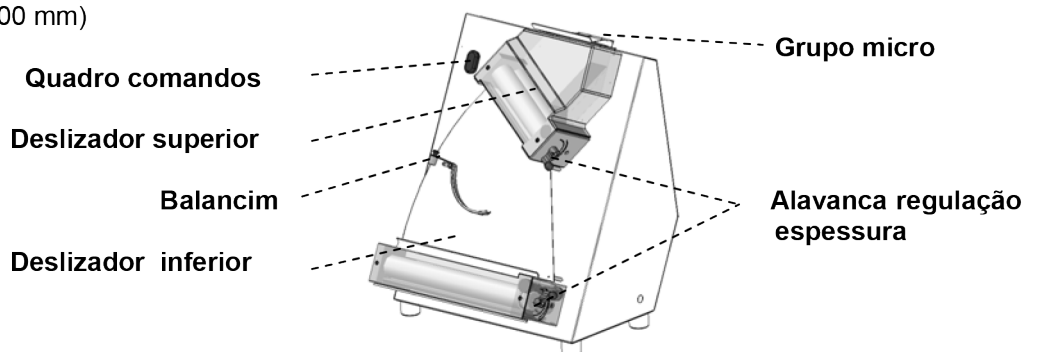
- A ligação e o funcionamento da máquina devem ser realizados exclusivamente por pessoal técnico especializado.
- Controle que as características da instalação onde a máquina será colocada correspondam aos dados indicados na chapa de identificação.
- Certifique-se que a máquina seja ligada a uma instalação com tomada de terra.
- A área de trabalho à volta da máquina deve estar sempre limpa e seca.
- Utilize roupas indicadas pelas normas de segurança no trabalho.
- A máquina deve ser utilizada exclusivamente para o uso previsto; qualquer outro uso deve ser considerado impróprio e portanto perigoso.
- Verifique a qualidade e o peso dos produtos utilizados; não sobrecarregue a máquina além da sua capacidade.
- É proibido introduzir objectos, utensílios, mãos ou outras coisas no interior das partes perigosas.
- Mantenha a máquina fora do alcance das crianças.
- Desligue a ficha da tomada de corrente quando a máquina não é utilizada.
- No caso de avarias e/ou inconvenientes de uso, não efectue pessoalmente as reparações mas contacte o Revendedor autorizado.
- Use sempre peças sobresselentes originais.
- Antes de proceder à limpeza da máquina, desligue a alimentação eléctrica retirando a ficha da tomada.
- Na máquina não devem estar presentes peças soltas (panos, ferramentas, chaves, etc...), todos os protetores devem estar bem fixados e os dispositivos de proteção devem estar inseridos.
- Para a limpeza não utilize jactos de água de alta pressão.
- Os raspadores, situados em baixo dos rolos inferiores, devem ser fixados corretamente.
- A máquina é realizada em conformidade com as Diretivas da união Europeia pertinentes e aplicáveis no momento da sua introdução no mercado.

### Descrição das máquinas

A máquina é indicada para estender massas para pizzas de forma redonda.

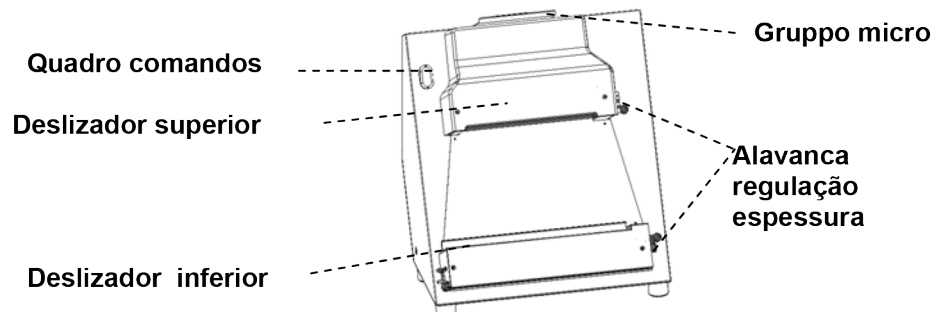
**FI32N** (diâmetro máximo piza 300 mm)

**FI42N** (diâmetro máximo piza 400 mm)



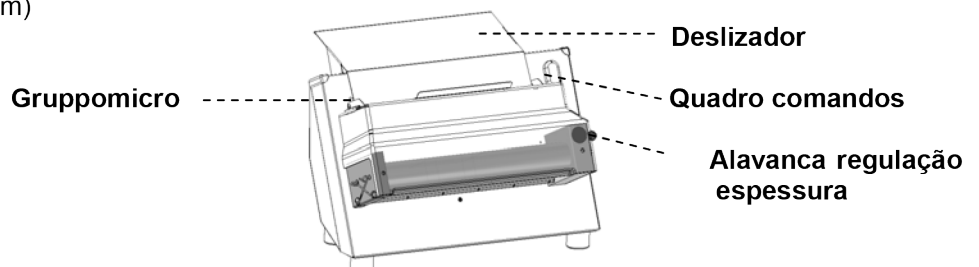
A máquina é indicada para estender massas para pizzas para cozer em tabuleiro.

**FIP42N** (diâmetro máximo piza 400mm)



A máquina é indicada para estender massas para pizzas para cozer em tabuleiro.

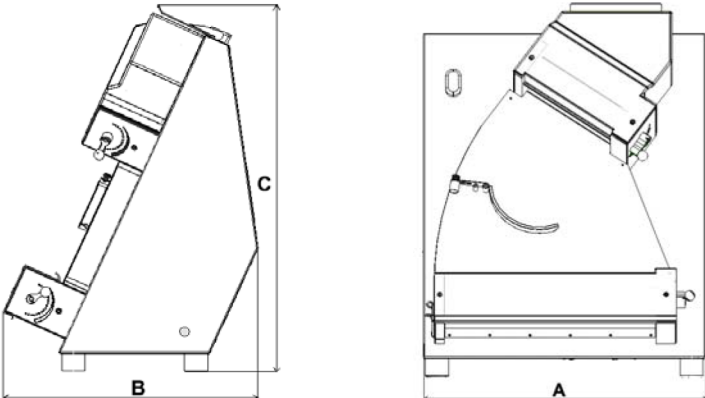
**FIM42** (diâmetro máximo piza 400mm)



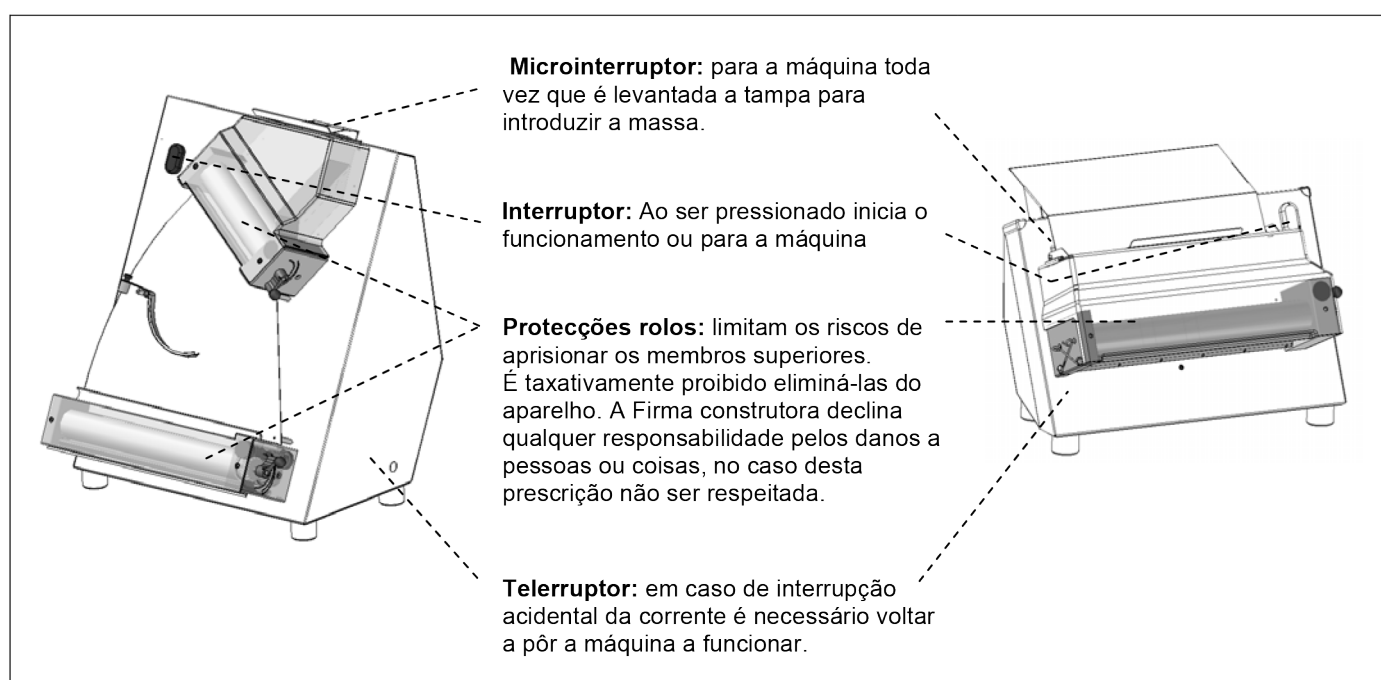
## Características técnicas

Descrição	Unidade de medida	FI32N	FI42N	FIP42N	FIM42
Alimentação de energia eléctrica	V Hz Ph	230V 50Hz 1Ph			
Potência	kW (HP)	0.37 (0.5)	0.37 (0.5)	0.37 (0.5)	0.15 (0.5)
Largura rolos inferiores	mm	320	420	420	420
Peso líquido	kg	36	44	43	25
Peso com embalagem	kg	46	54	53	25
Nível de ruído	dB(A)	< 70			
Instalação		No balcão			

## Dimensões de estorvo

mm	A	B	C	
FI32N	490	510	640	
FI42N	590	510	760	
FIP42N	590	510	700	
FIM42	560	420	455	

## Dispositivos de segurança





# INFORMAÇÕES SOBRE A INSTALAÇÃO

## Instruções gerais

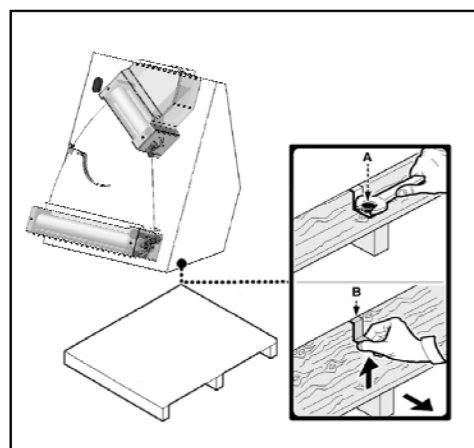
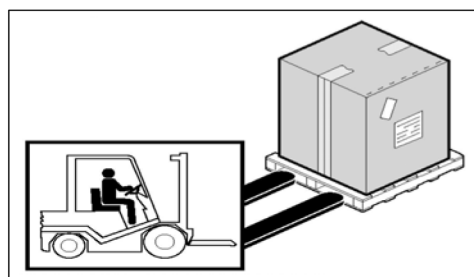
O transporte da máquina deve ser sempre efetuado por operadores qualificados, é preciso tomar muito cuidado para evitar qualquer tipo de dano nos seus componentes devido aos impactos ou esforços causados pela modalidade de elevação inadequada.

Os danos causados durante o Transporte e a Movimentação da máquina, não são cobertos pela garantia. A reparação ou a substituição dos componentes danificados ficam a cargo do Cliente.

## Embalagem e desembalagem

A máquina está embalada numa caixa de cartão com protecções de poliéster expando que garante a perfeita integridade durante o transporte.

- Introduza os garfos do empilhador (de capacidade adequada) no centro em relação ao comprimento da caixa.
- Certifique-se de que a parte de trás da embalagem está livre de obstáculos.
- Eleve a caixa com cuidado e leve-a para o local onde a embalagem será removida, evitando solavancos e arrancões repentinos.
- Abra a embalagem e verifique a integridade de todos os componentes. Conserve-a para um futuro transporte.
- Desaparafuse o parafuso **A** e eleve a máquina da paleta.
- Levantar a máquina, remover os reforços **B** e posicioná-la na zona reservada para a instalação.



## Zona da instalação

A zona escolhida deve estar bem iluminada e terá que dispor de tomadas eléctricas. O plano de apoio deve ser suficientemente amplo, bem nivelado e seco. Posicionar a máquina de modo estável e definitivo sobre uma superfície plana, na posição horizontal, com características adequadas de capacidade de carga, tendo em conta o peso máximo da máquina. Assegurar para a máquina a estabilidade mecânica correta.

A instalação deve ser feita em ambientes com atmosfera não explosiva. De qualquer modo, deve ser executada tendo em conta as leis em vigor em matéria de segurança no trabalho.

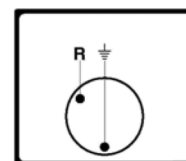
**Tabela Condições ambientais**

Descrição	Valores
Temperatura de funcionamento	0÷35 °C (32÷95 °F)
Temperatura de armazenagem	-15 a +65 °C (de -6,8 a +149 °F)
Humidade relativa	Máxima 80% com temperatura ambiente de 20 °C Máxima 50% com temperatura ambiente entre 20÷60 °C
Poeira do ambiente	Inferior a 0,03 g/m <sup>3</sup>

## Ligação eléctrica

**⚠ PERIGO – ATENÇÃO: A ligação eléctrica à rede de alimentação deve ser executada por pessoal especializado.**

Verifique a eficiência da instalação de ligação à terra do estabelecimento. Verifique que a tensão de linha (**V**) e a frequência (**Hz**) correspondam aos da máquina (veja a chapa de identificação e o esquema eléctrico). A máquina possui um cabo eléctrico que deve ser ligado a uma ficha multipolar. A ficha deve ser ligada a um interruptor de parede com diferencial.



# INFORMAÇÕES SOBRE O FUNCIONAMENTO

## Descrição dos comandos

### 1) Botão de arranque “I”

Prima o botão para pôr a máquina a funcionar. o início do funcionamento só é habilitado com a tampa da proteção superior abaixada.

### 2) Botão de paragem “0”

Prima o botão para parar a máquina. Apertar o botão após encontrar a posição desejada.

### 3) Alavanca deslocação rolos

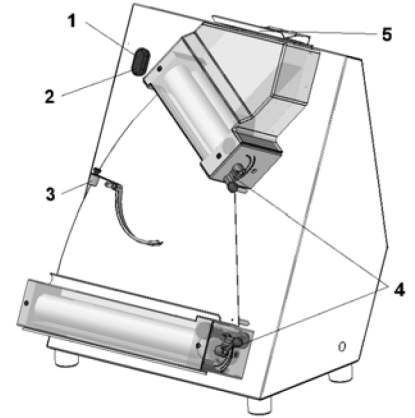
Rode a alavanca para baixo para aumentar a espessura. Rode a alavanca para cima para diminuir a espessura.

### 4) Pega contrapeso balancim (só mod. FI32N-42N)

Desaparafuse a pega e regule o contrapeso com base nas dimensões e no peso da porção de massa. Aparafuse a pega quando o contrapeso estiver na posição desejada.

### 5) Capa de Proteção

Levantar a tampa para introduzir a massa.



## Uso da máquina

- Regule, mediante as apropriadas alavancas, a espessura nos dois grupos de rolos. Os rolos superiores devem ser regulados com uma abertura bastante ampla, enquanto que os rolos inferiores devem ter uma abertura igual à espessura desejada (para efectuar correctamente esta operação, é necessário efectuar algumas provas).
- Regule a posição do contrapeso do balancim com base nas dimensões e no peso da porção de massa que se quer estender, só para o mod. FI32N-42N (para efectuar correctamente esta operação é necessário efectuar algumas provas).
- Verifique que os raspadores estejam na posição correcta e que as molas estejam bem esticadas.
- Ligue a máquina premendo o botão “I”.
- Achate a porção de massa e enfarinhe-a abundantemente de modo a facilitar a passagem através dos rolos.
- Levante a tampa da proteção superior, deixe deslizar a massa no meio dos dois rolos e feche a tampa (sem soltar, segurando-a até encaixar perfeitamente).
- Aguarde até que a massa saia completamente da compressão dos rolos superiores para fazê-la deslizar, dessa vez, nos rolos inferiores que a comprimem de acordo com a espessura regulada anteriormente com a alavanca de regulação da espessura.
- No fim da laboração pare a máquina premendo o botão de paragem “0”.

**ⓘ INFORMAÇÕES: Para trabalhar porções de massa muito irregulares sugerimos que desmonte o balancim (só mod. FI32N-42N) e que proceda à rotação manual da porção, no momento da passagem entre os dois pares de rolos.**

## Conselhos para o uso

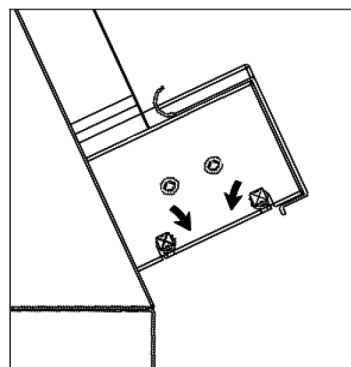
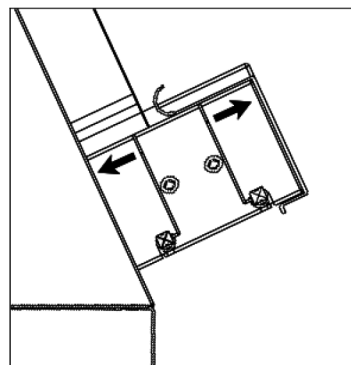
Utilize sempre a máquina com uma abertura dos rolos superiores muito ampla, de modo a evitar excessivos esforços aos órgãos de transmissão. Além disso, achate a porção de massa e polvilhe-a abundantemente com farinha antes de introduzi-la no aparelho, para facilitar a passagem através dos rolos.

## Limpeza diária

- No fim do dia retire a ficha da tomada de corrente.
- Realizar uma limpeza meticulosa utilizando um pano humedecido com produtos de limpeza neutros, não corrosivos, não nocivos e não inflamáveis.
- Limpe as partes internas da máquina com uma esponja húmida.
- Não utilize palha-de-aço e detergentes abrasivos.

## Limpeza dos raspadores rolos

- Desengate as molas que se encontram nos rolos inferiores, premendo-as para o exterior.
- Rode os pernos para dentro e limpe os raspadores com um pano húmido.
- Para reposicionar os raspadores proceda de modo inverso com as operações acima descritas.



## Longo período de inatividade da máquina

Devendo deixar a máquina parada por um longo período de tempo, desligue o interruptor geral, efectue uma limpeza geral da máquina e cubra-a com uma lona para protegê-la contra a poeira.

## Solução de problemas

Em caso de avarias ou mau funcionamento, desligue o interruptor geral e contacte o Serviço de Assistência do vosso Revendedor. Não desmonte as partes internas da máquina.

**O construtor declina qualquer responsabilidade contra eventuais intervenções não autorizadas!**

## Avarias, causas, soluções

Inconveniente	Causa	Solução
<b>A máquina não funciona</b>	Interruptor geral desligado	Posicione o interruptor geral no "I"
	Falta de tensão na linha de alimentação	Contacte o Serviço Assistência do seu Revendedor
	O motor elétrico ou a placa eletrónica estão com defeito	Contacte o Serviço Assistência do seu Revendedor
	Fusível de protecção queimado	Contacte o Serviço Assistência do seu Revendedor
	Tampa de protecção dos rolos superiores levantada.	Abaixar a tampa



## ТЕСТРАСКАТОЧНАЯ МАШИНА ДЛЯ ПИЦЦЫ

### СОДЕРЖАНИЕ

#### ОБЩАЯ ИНФОРМАЦИЯ

Цель руководства.....	4
Идентификация Изготовителя и машины ....	4
Информация по технике безопасности.....	4
Описание машины.....	5
Технические характеристики.....	6
Габаритные размеры .....	6
Предохранительные устройства .....	6

#### ПЕРЕМЕЩЕНИЕ И УСТАНОВКА

Общие указания .....	7
Упаковка и распаковка .....	7
Зона установки .....	7
Подключение к электросети.....	7

#### СВЕДЕНИЯ О ФУНКЦИОНИРОВАНИИ

Описание устройств управления.....	8
Использование машины .....	8
Рекомендации по использованию.....	8
Чистка в конце рабочего дня .....	9
Чистка скребков валков .....	9
Длительный период бездействия машины ...	9
Поиск и устранение неисправностей.....	9
Неисправности, причины, устранение.....	9

#### ПРИЛОЖЕНИЯ

Удаление отработанного оборудования и утилизация
Каталог запчастей
Схема электрической цепи

# ОБЩАЯ ИНФОРМАЦИЯ

## Цель руководства

Данное руководство составлено Изготовителем и является неотъемлемой частью комплектации машины. При проектировании и изготовлении машины изготовитель уделил особое внимание тем аспектам производственной деятельности, которые могли бы поставить под угрозу безопасность и здоровье задействованного персонала. Помимо строгого соблюдения законодательства по данному вопросу, изготовитель также применил все «правила хорошей техники изготовления». Цель данной информации – это призвать пользователей обратить особое внимание на предотвращение опасных ситуаций. Осторожность - незаменима. Безопасность находится в руках всех операторов, работающих с машиной. Рекомендуется хранить данное руководство в хорошо известном и доступном месте чтобы, таким образом, оно всегда было под рукой в момент необходимости. Для выделения некоторых частей текста были введены следующие обозначения:

**⚠ ОПАСНОСТЬ – ВНИМАНИЕ:** указывает на ситуации повышенной опасности, в результате которых могут быть получены серьезные повреждения; необходимо оказывать повышенное внимание.

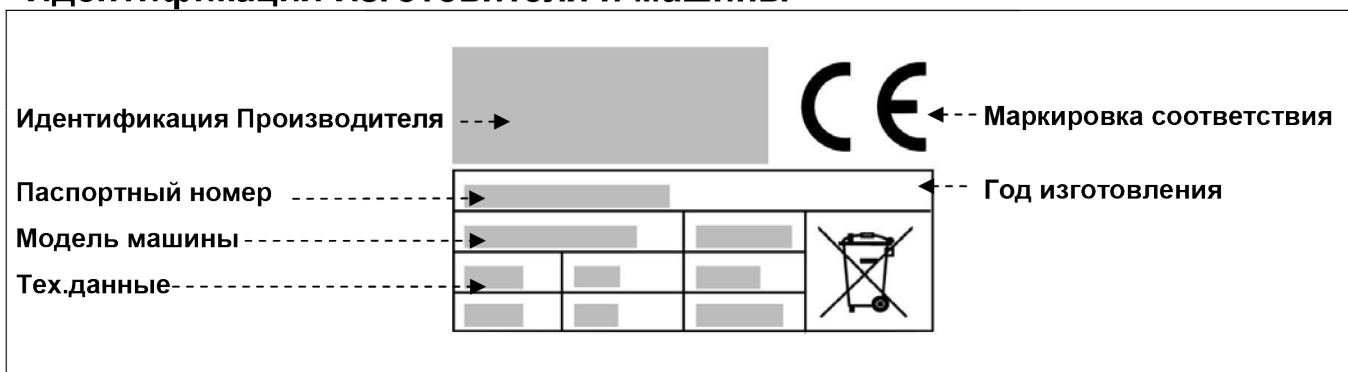
**i ИНФОРМАЦИЯ:** особо важные технические указания.

К настоящему руководству прилагаются:

- Гарантийный сертификат, содержащий условия гарантийного обслуживания, составленные Изготовителем.
- Документы удостоверяющие соответствие с нормами действующего законодательства по охране здоровья и обеспечению безопасности людей.

По любым вопросам технического обслуживания обращаться к уполномоченному дилеру.

## Идентификация Изготовителя и машины



## Информация по технике безопасности

- Перед тем, как приступить к установке и эксплуатации, чрезвычайно важно внимательно ознакомиться с содержанием данного руководства. Постоянное соблюдение указаний, приведенных в руководстве, поможет обеспечить безопасность персонала и целостность оборудования.
- Предохранительные устройства не должны быть изменены ни под каким предлогом.
- Рекомендуется строгое соблюдение норм техники безопасности на рабочих местах, установленных соответствующими органами в каждой отдельной стране.
- Изготовитель отклоняет любую ответственность за вред нанесенный лицам или имуществу в результате несоблюдения норм техники безопасности.
- Персонал, имеющий право проводить электрическое подключение, должен убедиться, что характеристики питающей линии соответствуют тем, что указаны на табличке с паспортными данными оборудования, что на линии установлен дифференциальный прерыватель а также другая аппаратура в соответствии с действующими нормативами и законодательством.
- Правильное расположение машины, освещение и чистота внешней среды являются важными условиями для обеспечения безопасности персонала.
- Машина не должна подвергаться воздействию атмосферных агентов.
- Перед установкой убедитесь, что выбранный участок является подходящим, хорошо освещенным, с устойчивой поверхностью; также проверьте, что вокруг оборудования останется достаточно места для проведения чистки и технического обслуживания.

## INFORMAZIONI GENERALI E SICUREZZA

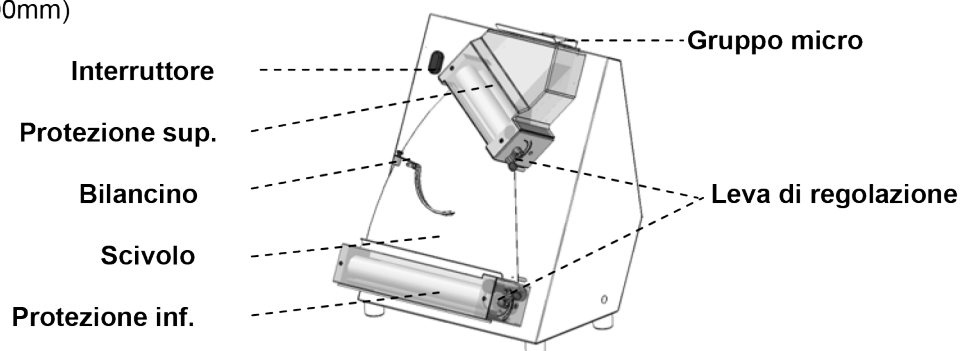
- Accertarsi che la macchina sia collegata ad un impianto di messa a terra.
- La zona di lavoro attorno alla macchina deve sempre essere mantenuta pulita e asciutta.
- Utilizzare gli indumenti previsti dalle norme antinfortunistiche sul lavoro.
- Questa macchina deve essere destinata solo all' uso previsto; ogni altro uso è da considerarsi improprio e quindi pericoloso.
- Verificare l' idoneità e il peso dei prodotti da lavorare; non sovraccaricare la macchina oltre la sua capacità.
- È vietato introdurre oggetti, utensili, mani o altro all' interno delle parti pericolose.
- Tenere la macchina fuori dalla portata dei bambini.
- Staccare la spina dalla presa di corrente quando la macchina non viene utilizzata.
- In caso di guasti e/o inconvenienti d' uso, non effettuare personalmente le riparazioni ma rivolgersi al Rivenditore autorizzato.
- Richiedere ricambi originali.
- Prima di procedere alla pulizia della macchina, scollegare l' alimentazione elettrica staccando la spina.
- Per la pulizia non utilizzare getti d' acqua ad alta pressione.
- Sulla macchina non devono essere presenti pezzi sciolti (panni, arnesi, chiavi, ecc...), tutti i ripari siano ben fissati e i dispositivi di protezione siano inseriti.
- Durante il normale ciclo produttivo della macchina, non disattivare mai i dispositivi di protezione e di sicurezza.
- I raschiatori, posti sotto i rulli inferiori devono essere ben fissati correttamente.
- La macchina è realizzata in conformità delle Direttive dell' unione Europea pertinenti ed applicabili nel momento della sua immisione sul mercato.

### Descrizione generale della macchina

La macchina è progettata e costruita per stendere impasti di pizza di forma circolare.

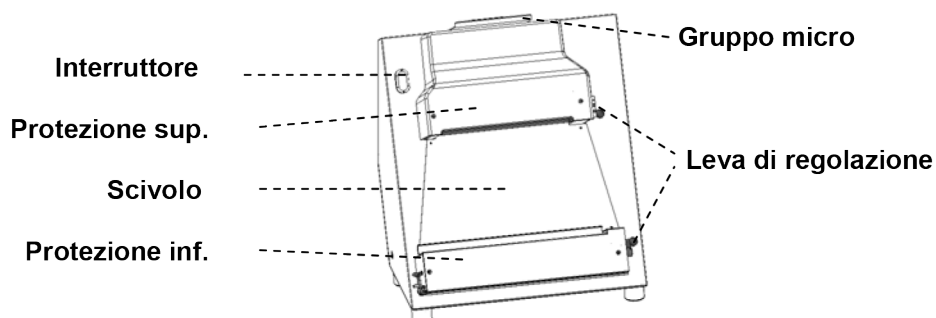
**FI32N** (diametro massimo pizza 300mm)

**FI42N** (diametro massimo pizza 400mm)



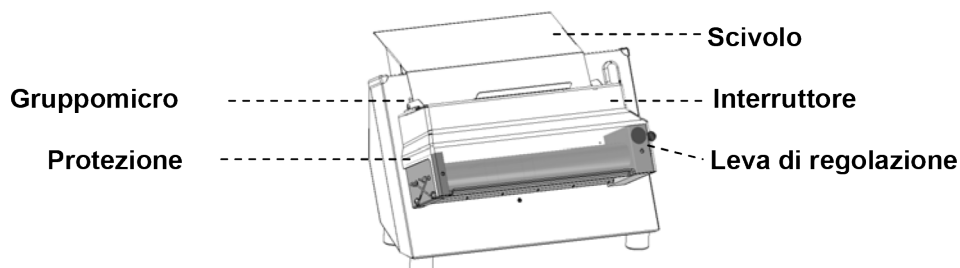
La macchina è progettata e costruita per stendere impasti di pizza da cuocere in teglia.

**FIP42N** (larghezza massima pizza 400mm)



La macchina è progettata e costruita per stendere impasti di pizza da cuocere in teglia.

**FIM42** (larghezza massima pizza 400mm)



## ОБЩАЯ ИНФОРМАЦИЯ

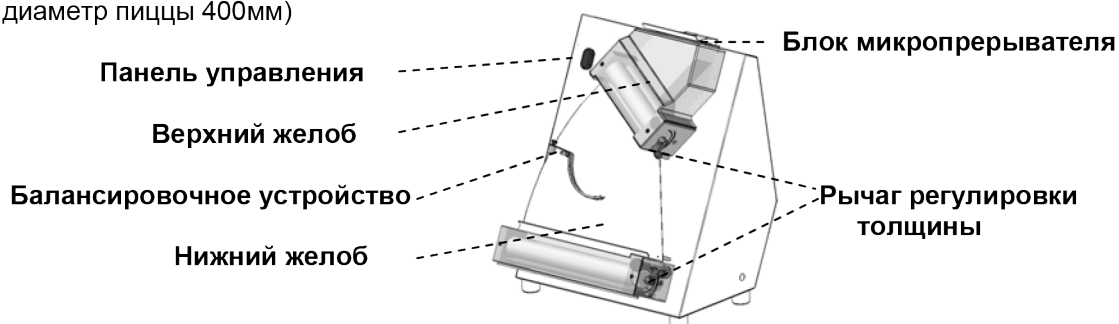
- Подключение и ввод в эксплуатацию должны проводиться исключительно специализированным техническим персоналом.
- Удостовериться в том, что характеристики установки, к которой подключается машина, соответствуют характеристикам, указанным на табличке.
- Проверить соединение машины с устройством заземления.
- Рабочая площадь вокруг машины должна всегда содержаться сухой и чистой.
- Использовать предметы одежды, предусмотренные нормами по технике безопасности на рабочих местах.
- Использовать данную машину исключительно по назначению, любое другое применение должно считаться неправильным и вследствие опасным.
- Проверить соответствие и вес обрабатываемых продуктов; нельзя нагружать машину выше ее производственных возможностей.
- Запрещено вставлять предметы, инструменты, руки или прочее в представляющие опасность части оборудования.
- Держать машину в недоступном для детей месте.
- Вытащить вилку из розетки сети электропитания, если машина не используется.
- В случае возникновения поломок и/или неисправностей, не проводить самостоятельно ремонтных работ: обратиться к уполномоченному дилеру.
- Использовать оригинальные запчасти.
- Перед тем, как приступить к чистке машины, отключить электропитание, отсоединив вилку из розетки сети электропитания.
- На оборудовании не должно находиться незакрепленных предметов (тряпок, инструментов, ключей и т.д.), все защитные ограждения должны быть хорошо зафиксированы, противоаварийные устройства - подключены.
- Нельзя использовать для чистки струи воды под высоким давлением.
- Скрепки, расположенные на нижних валиках, должны быть правильно расположены и прочно зафиксированы.
- Оборудование изготовлено в соответствии с применяемыми к нему Директивами Европейского союза, действующими на момент вывода продукта на рынок.

### Описание машины

Машина идеально подходит для раскатки основ пиццы круглой формы

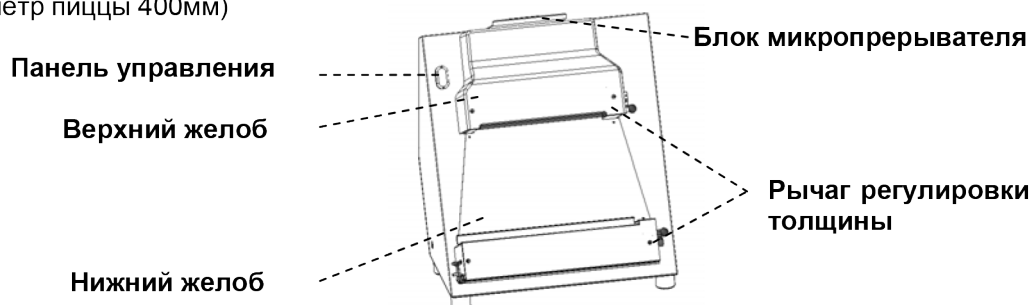
**FI32N** (максимальный диаметр пиццы 300мм)

**FI42N** (максимальный диаметр пиццы 400мм)



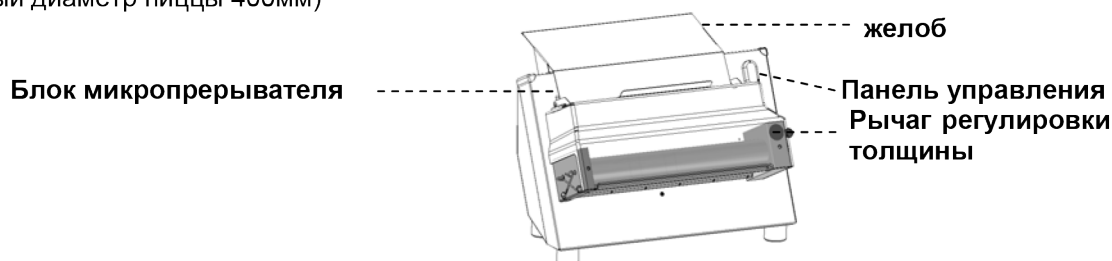
Машина идеально подходит для раскатки основ пиццы, выпекаемых на противне.

**FIP42N** (максимальный диаметр пиццы 400мм)



Машина идеально подходит для раскатки основ пиццы, выпекаемых на противне.

**FIM42N** (максимальный диаметр пиццы 400мм)



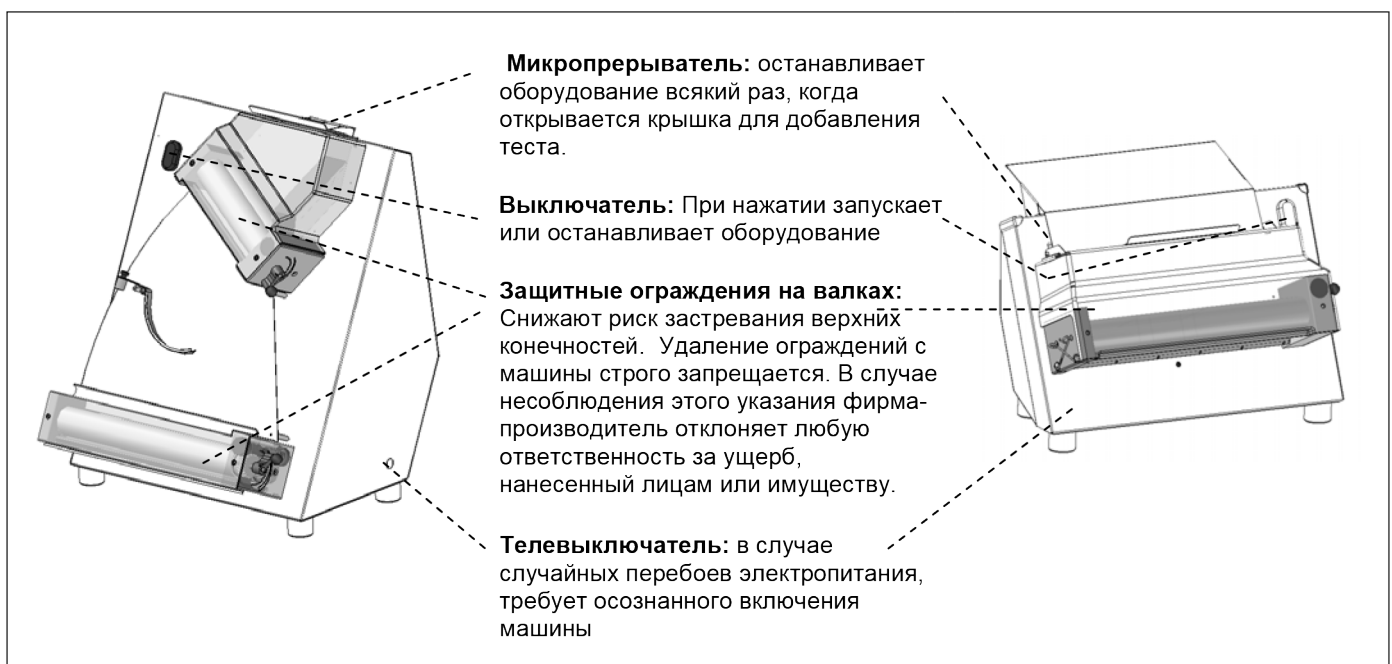
## Технические характеристики

Описание	Единица измерения	FI32N	FI42N	FIP42N	FIM42
Электропитание В Гц Ф	В Гц Ф	230В 50Гц 1Ф			
Мощность	кВт (л.с.)	0.37 (0.5)	0.37 (0.5)	0.37 (0.5)	0.15 (0.5)
Ширина нижних валков	mm	320	420	420	420
Вес нетто	кг	36	44	43	25
Вес с упаковкой	кг	46	54	53	25
Уровень шумопродукства	дБ(А)	< 70			
Установка		На столе			

## Габаритные размеры

mm	A	B	C	
FI32N	490	510	640	
FI42N	590	510	760	
FIP42N	590	510	700	
FIM42	560	420	455	

## Предохранительные устройства





# ПЕРЕМЕЩЕНИЕ И УСТАНОВКА

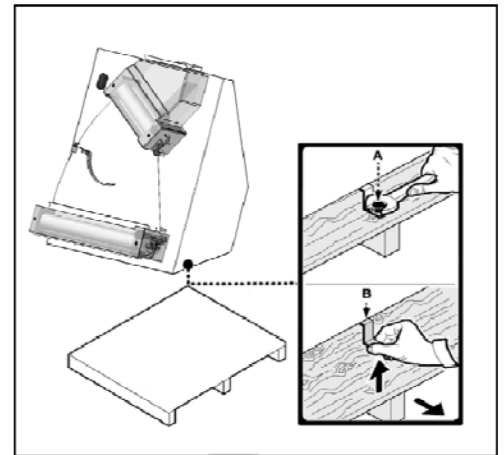
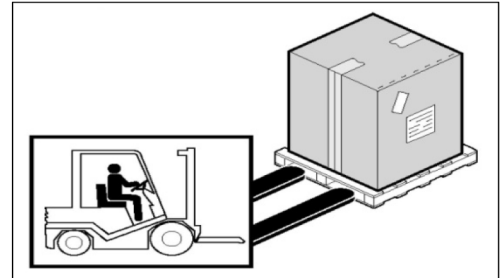
## Общие указания

Транспортировка машины всегда должна выполняться профессионально подготовленным персоналом, стараясь избегать нанесения любого ущерба ее частям, исходящего от толчков или нагрузок вызванных недопустимыми способами подъема. Ущерб, полученный во время транспортировки и перемещения, не покрыт гарантией. Ремонт или замена поврежденных частей остаются за счет заказчика.

## Упаковка и распаковка

Машина упакована в картонную упаковку с добавлением вспененного полиэфира для обеспечения целостности в процессе транспортировки.

- Вставить вилочную деталь электропогрузчика соответствующей грузоподъемности) в центральное положение по отношению к длине ящика.
- Убедиться в том, чтобы задняя часть упаковки не имела никаких препятствий.
- Осторожно поднять ящик и перенести его в место, где будет производиться распаковка, избегая внезапных рывков и толчков.
- При открытии упаковки удостовериться в целостности каждого компонента. Сохранить упаковку на случай будущих перевозок.
- Открутите винты **A** и приподнимите оборудование с поддона.
- Поднимите оборудование, удалите скобы **B** и затем разместите оборудование на участке, подготовленном для установки.



## Зона установки

Выбранная зона должна быть достаточно освещенной и должна иметь розетку электропитания. Используя подъемные механизмы соответствующей грузоподъемности (с учетом максимального веса оборудования), разместите оборудование горизонтально на ровной поверхности, контролируя, чтобы оно заняло устойчивое положение на окончательном месте размещения. Убедитесь, что оборудование находится в устойчивом положении. Опорная поверхность должна быть достаточно просторной, ровной и сухой. Установка должна выполняться в помещениях с невзрывоопасной средой. В любом случае, установка должна проводиться при соблюдении действующих законодательных норм по безопасности на рабочих местах.

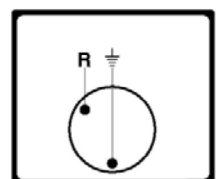
Таблица Условий внешней среды

Описание	Значения
Рабочая температура	0÷35 °C (32÷95 °F)
Температура хранения	от -15 до +65 °C (от -6.8 до +149 °F)
Относительная влажность	Макс.80% при температуре окружающей среды 20 °C Макс.50% при температуре окружающей среды 20÷60 °C
Содержание пыли в атмосфере	Менее 0.03 г/м <sup>3</sup>

**⚠ ОПАСНОСТЬ – ВНИМАНИЕ:** подключение к сети электропитания должно производиться специализированным персоналом.

## Подключение к электросети

Убедиться в безотказной работе установленного устройства заземления. Убедиться в том, что напряжение в сети (**V**) и частота (**Hz**) соответствуют характеристикам машины. (См. опознавательную табличку и схему электрической цепи) Машина оснащена электропроводом, к которому необходимо подсоединить многополюсный штепсель. Штепсель подсоединяется к настенному выключателю, оснащенный дифференциалом.



## СВЕДЕНИЯ О ФУНКЦИОНИРОВАНИИ

### Описание устройств управления

#### 1) Кнопка пуска “I”

Нажать на кнопку для включения машины. запуск разрешен только при закрытой защитной крышке, размещенной на передней части оборудования.

#### 2) Кнопка останова “0”

Нажать на кнопку для остановки машины.

#### 3) Рычаг смещения валков

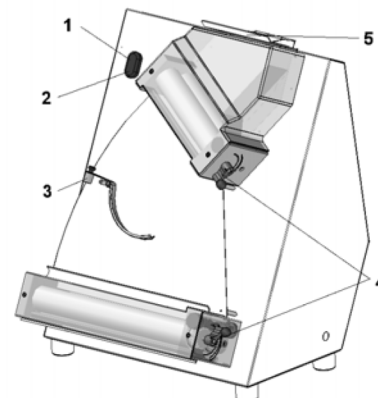
Повернуть рычаг вниз для увеличения толщины. Повернуть рычаг вверх для уменьшения толщины. Найдя желаемое положение, затяните рукоятку.

#### 4) Ручка противовеса балансировочного устройства (только мод. FI32N-42N)

Открыть ручку и отрегулировать противовес в зависимости от размеров и от веса порции теста. Завинтить ручку, когда противовес находится в нужном положении.

#### 5) Защитная крышка

Поднимите крышку, чтобы поместить тесто.



### Использование машины

- Отрегулируйте с помощью специальных рычагов толщину на обеих группах валков. Раскрытие верхних валков должно быть достаточно широким, в то время как раскрытие нижних валков должно соответствовать толщине, которую Вы хотите получить (проведите эту операцию несколько раз, чтобы определить нужное расстояние)
- Отрегулируйте положение противовеса балансировочного устройства в зависимости от размеров и веса порции раскатываемого теста, только для мод. FI32N-42N (проведите эту операцию несколько раз, чтобы определить нужное положение).
- Убедитесь, что скребки находятся в правильном положении, и что их пружины хорошо натянуты.
- Включите машину, нажав на кнопку пуска “I”.
- Придайте порции теста форму лепешки и обильно посыпьте ее мукой для того, чтобы облегчить ее прохождение между валками.
- Поднимите защитную крышку, расположенную на передней части оборудования, дайте тесту проскользнуть между двумя валиками, затем вновь закройте крышку (не отпускайте ее, а аккуратно доведите до закрытия).
- Дождитесь, когда тесто полностью выйдет из-под зажима верхних валиков, чтобы начать его раскатывать на нижних валиках; нижние валики будут сжимать тесто согласно той толщине, которая была предварительно выставлена при помощи рычага регулирования толщины.
- По завершению работы остановите машину, нажав кнопку останова “0”.

### ■ ИНФОРМАЦИЯ:

- Если машина используется для раскатки очень неоднородных по величине порций теста, рекомендуется снять балансировочное устройство (только мод. FI32N-42N) и поворачивать порцию вручную в момент прохождения между двумя парами валков.

### Рекомендации по использованию

При использовании машины раскрытие верхних валков должно быть всегда очень широким для того, чтобы не подвергать чрезмерной нагрузке органы передачи. Кроме того, придайте порции теста форму лепешки и обильно посыпьте ее мукой перед тем, как помещать ее в машину, чтобы облегчить ее прохождение между валками

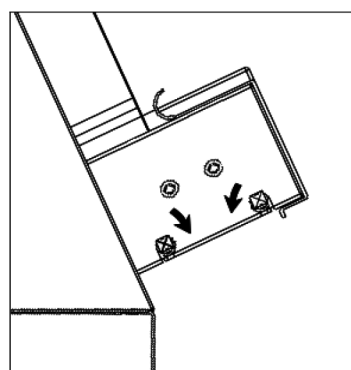
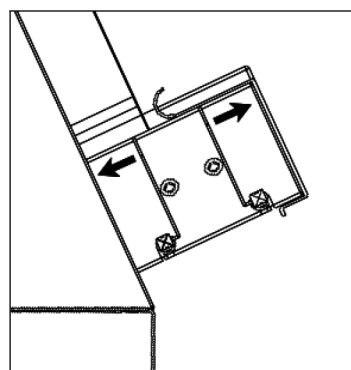
## СВЕДЕНИЯ О ФУНКЦИОНИРОВАНИИ

### Чистка в конце рабочего дня

- В конце рабочего дня вытащить вилку из розетки сети электропитания.
- Проведите тщательную чистку оборудования, используя влажную ткань и нейтральные чистящие средства (не вызывающие коррозии, не ядовитые и не легковоспламеняющиеся).
- Чистить наружные части машины влажной ветошью.
- Не применять металлических мочалок или абразивных чистящих средств.

### Чистка скребков валков

- Отцепить пружины, расположенные на нижних валках, нажав на них в наружном направлении.
- Повернуть болты по направлению друг к другу, после чего почистить скребки влажной ветошью.
- Установить валки, выполнив вышеописанные действия в обратном порядке.



### Длительный период бездействия машины

В случае длительного периода бездействия машины, отключить главный выключатель на стене, произвести общую чистку машины и накрыть ее полотном для защиты от пыли.

### Введение

В случае неисправностей или плохого функционирования отключить главный выключатель на стене и обратиться в службу сервисного обслуживания вашего дилера. Не производить демонтажа внутренних частей машины

**Изготовитель отклоняет любой вид ответственности за последствия несанкционированного ремонта!**

### Неисправности, причины, устранение

Неисправность	Причина	Устранение
<b>Машина не запускается</b>	Главный выключатель отключен	Установить главный выключатель в положение "I"
	Отсутствие напряжения в линии подачи электропитания	Обратиться в Центр Сервисного обслуживания вашего дилера
	Электродвигатель или электронная плата имеют дефекты	Обратиться в Центр Сервисного обслуживания вашего дилера
	Защитный плавкий предохранитель перегорел	Обратиться в Центр Сервисного обслуживания вашего дилера
	Поднята защитная крышка передних валков	Закройте крышку





La presenza del bidoncino barrato sulla targheta a dati dell'apparecchiatura indica che essa al termine della propria vita utile dovrà seguire per il suo smaltimento e riciclaggio quanto previsto dalla Direttiva Europea. La Direttiva prevede la raccolta separata delle apparecchiature elettriche ed elettroniche attraverso un sistema di raccolta denominato RAEE. All'atto dell'acquisto di un nuovo apparecchio l'utilizzatore è obbligato a non smaltire l'apparecchio come rifiuto urbano, ma bensì dovrà riconsegnarlo, in ragione di uno contro uno, al rivenditore o distributore. Il rivenditore provvederà al suo smaltimento seguendo le procedure previste dal sistema di raccolta dei RAEE. Nel caso del solo smaltimento dell'apparecchiatura, sul territorio italiano, contattare il produttore, il quale fornirà le informazioni adeguate circa lo smaltimento della macchina presso il centro di raccolta più vicino all'utente. Gli utilizzatori che risiedono al di fuori del territorio italiano dovranno contattare i Ministeri dell'Ambiente del loro Paese, i quali forniranno le informazioni necessarie ad un corretto smaltimento. Il mancato rispetto delle procedure di smaltimento può produrre effetti nocivi a danno dell'ambiente e delle persone. Pertanto lo smaltimento abusivo, totale o parziale, delle apparecchiature, porterà a sanzioni amministrative da parte delle Autorità Competenti nei riguardi delle utenze negligenti o inadempienti.

The markings illustrated here (barred garbage bin), on the utensil data plate, indicates that at the end of its working life, the utensil must be disposed of and recycled according to European Directive. The Directive provides for the separate collection of electric and electronic equipment by a collection system called RAEE. Upon purchasing a new utensil, the user must not dispose of the utensil as urban waste but must return it, in a one-to-one exchange, to the dealer or distributor. The dealer may dispose of the utensil following the procedures set by the RAEE collection system. In the event the user disposes of the utensil without purchasing a new one, in Italy contact the manufacturer who will provide suitable information on machine disposal at the collection centre closest to the user. Users who do not reside in Italy must contact the Ministry of the Environment in their countries who will provide information necessary for correct disposal. Failure to observe the disposal procedure may cause harmful effects on the environment and people. Therefore, total or partial illicit utensil disposal by users is punishable by local authorities.

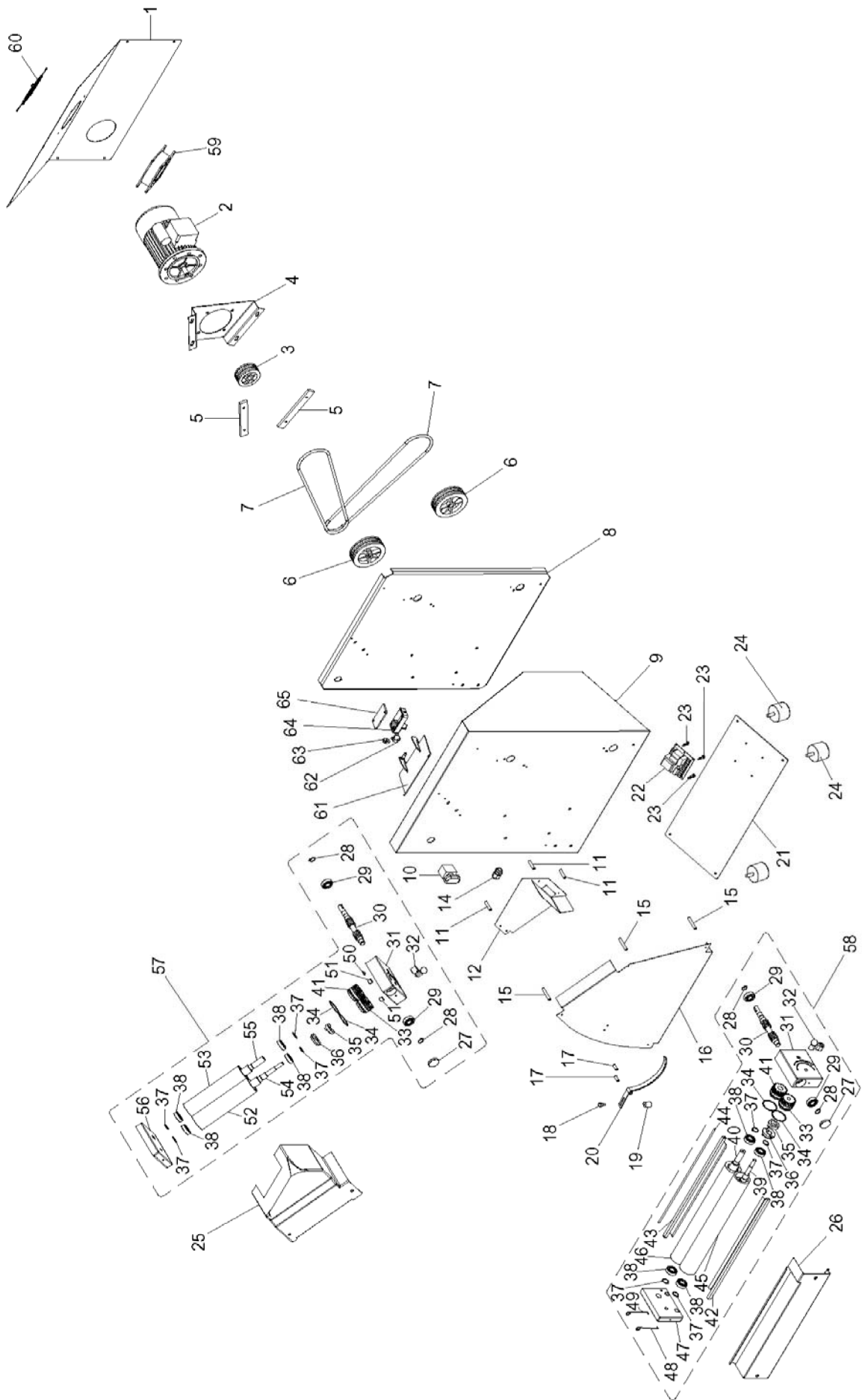
La présence de ce symbole, comme ci-dessus (poubelle barrée), sur l'étiquette, indique que l'appareil, au terme de sa durée de vie devra suivre pour son élimination et son recyclage, les indications prévues à ce sujet par les Directives Européennes. La Directive prévoit le ramassage séparé des appareils électriques et électroniques par le biais d'un système de ramassage appelé RAEE. Au moment de l'achat de l'appareil l'utilisateur est obligé à ne pas éliminer l'appareil comme déchets habituels, mais il devra le ramener, en raison d'un échange, au revendeur ou au distributeur. Le revendeur se fera charge de son élimination en suivant les procédures prévues par le système de ramassage.. Dans le cas de l'élimination de l'appareil, sur le territoire français, contacter le Ministère de l'Environnement ou le revendeur, ce dernier fournira les informations nécessaires pour l'élimination de l'appareil auprès du centre de ramassage le plus près. Les utilisateurs résidents en dehors du territoire italien devront contacter le Ministère de l'Environnement de leurs Pays, lesquels fourniront les informations nécessaires pour une correcte élimination. Le non respect des normes d'élimination peut avoir des effets nocifs sur l'environnement et sur les personnes. Par conséquent l'élimination abusive, totale ou partielle, des appareils de la part des utilisateurs, donnera lieu à des sanctions de la part des Autorités compétentes.

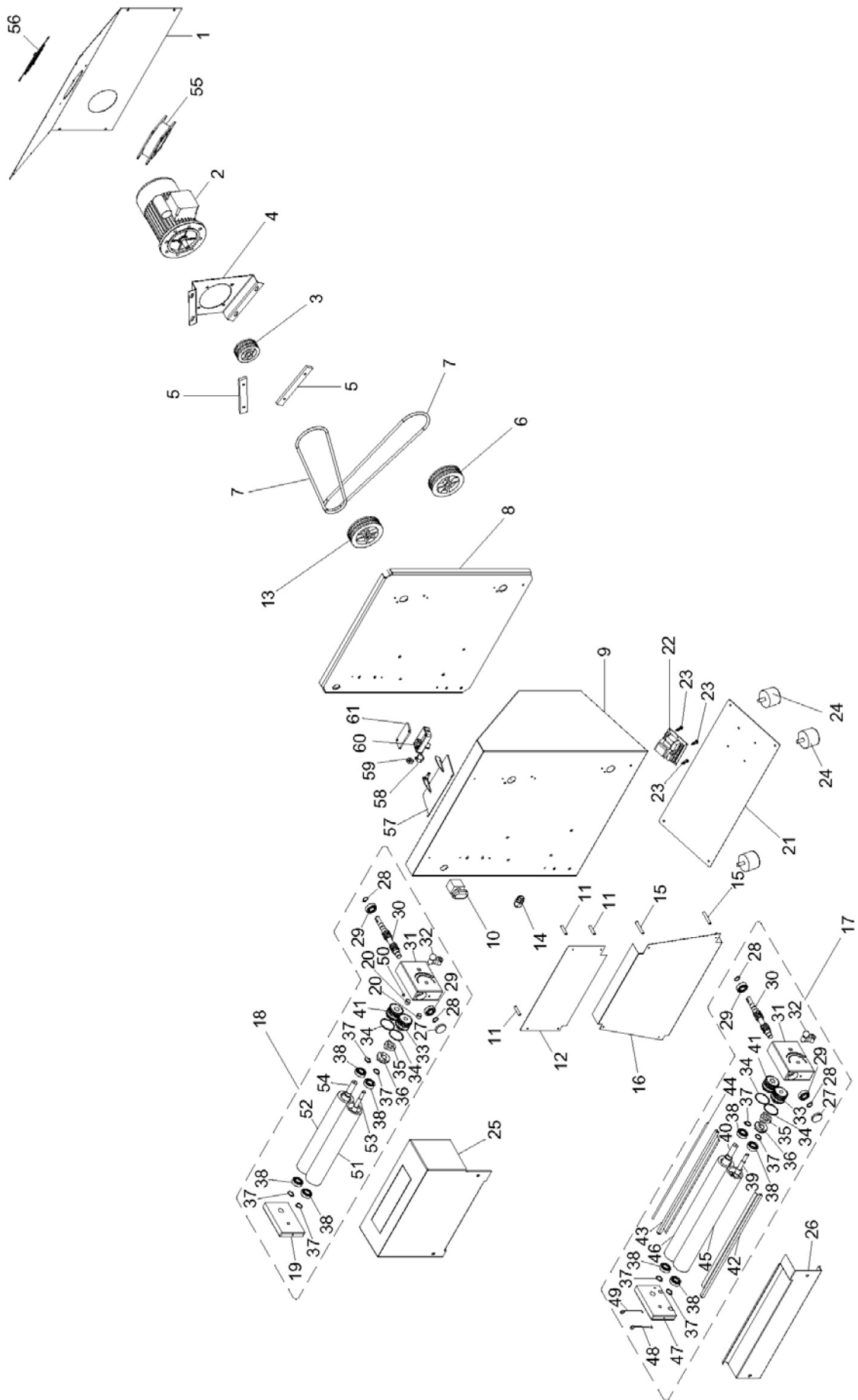
Wenn das hier dargestellte Symbol (durchgestrichene Abfalltonne) auf dem Typenschild eines Gerätes wiedergegeben ist, bedeutet dies, dass es am Ende seiner Lebensdauer entsprechend der europäischen Richtlinie zu entsorgen und wiederzuverwerten ist. Die Richtlinie sieht eine getrennte Sammlung von Elektro- und Elektronik-Altgeräten entsprechend dem sogenannten WEEE-System vor. Beim Kauf eines neuen Geräts verpflichtet sich der Nutzer, dieses nicht als unsortierten Siedlungsabfall zu entsorgen, sondern dem Händler oder Verteiler im Verhältnis eins zu eins zurückzuerstatten. Der Händler sorgt für die Entsorgung des Geräts unter Einhaltung der vom WEEE-System vorgesehenen Vorgehensweise. Wenn das Gerät in Italien zu entsorgen ist, den Hersteller direkt kontaktieren. Nutzer außerhalb Italiens erhalten beim Umweltministerium des jeweiligen Landes Aufschluss über die zweckmäßige Entsorgung des Geräts. Die Nichteinhaltung der Entsorgungsvorschriften kann schädliche Auswirkungen zu Lasten von Mensch und Umwelt mit sich bringen. Deshalb wird die auch nur teilweise unbefugte Entsorgung der Geräte seitens von Nutzern durch die zuständigen Behörden mit Bußen bestraft.

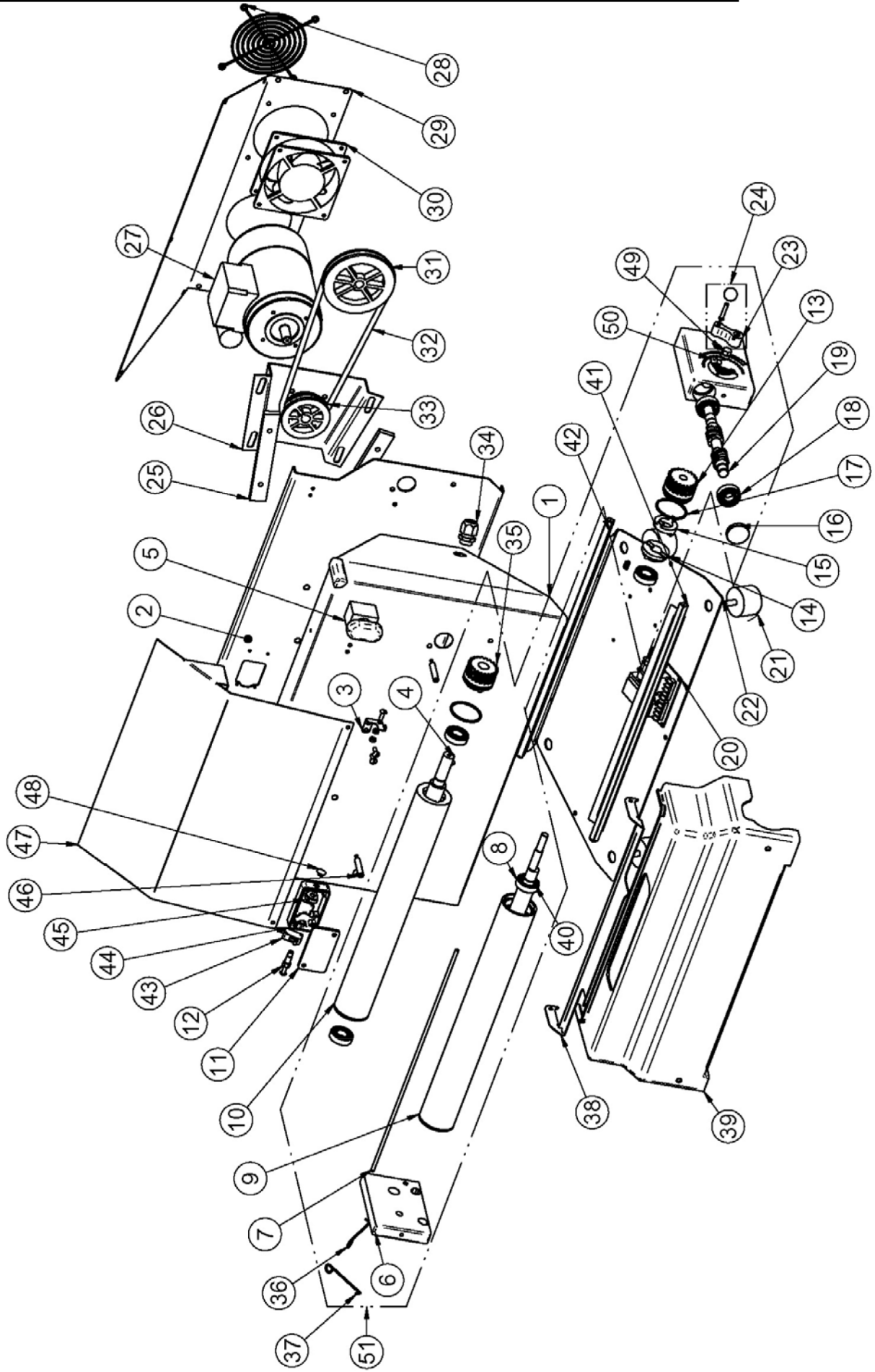
La presencia de los símbolos aquí reproducidos (contenedor de basura tachado), en la placa de datos del aparato, indica al final de su vida útil, éste deberá ser desguazado y reciclado según cuanto previsto por la Directiva Europea. La Directiva prevé la recolección separada de los aparatos eléctricos y electrónicos por medio de un sistema de recolección denominado RAEE. En el momento de la compra de un nuevo aparato el usuario está obligado a no eliminar el aparato como basura urbana, sino que debe entregarlo, como intercambio del nuevo, al revendedor o distribuidor. El revendedor se encargará de su desguace siguiendo los procedimientos previstos por el sistema de recolección de los RAEE. En caso de tratarse de desguace, exclusivamente en el territorio italiano, contactar al productor, el cual le dará la información adecuada sobre la eliminación de la máquina en el centro de recolección más cercano al usuario. Los usuarios que residen fuera del territorio italiano deberán contactar los Ministerios del Medio ambiente de su país, los cuales suministrarán la información necesaria para una eliminación correcta. El no respeto de los procedimientos de eliminación puede provocar efectos nocivos que dañen el medio ambiente y las personas. Por lo tanto la eliminación clandestina, total o parcial, de los aparatos por parte de los usuarios, implicará sanciones por parte de las Autoridades Competentes.

A presença dos símbolos indicados (contentor do lixo barrado) na chapa de dados do aparelho, significa que no fim da própria vida útil a desactivação e reciclagem deverão ser feitas conforme as prescrições contidas na Directiva Europeia. A Directiva prevê a recolha separada das aparelhagens eléctricas e electrónicas através de um sistema de recolha denominado RAEE. No momento da compra de um novo aparelho, o utilizador é obrigado a não eliminar o aparelho como lixo urbano, mas deverá entregá-lo, na razão de um contra um, ao revendedor ou distribuidor. O revendedor ocupar-se-á da sua eliminação seguindo os processos previstos pelo sistema de recolha dos RAEE. No caso de eliminação do aparelho no território italiano, contacte o produtor, que fornecerá todas as informações necessárias para a eliminação da máquina junto do centro de recolha mais próximo do utilizador. Os utilizadores que residem fora do território italiano deverão contactar os Ministérios do Ambiente do próprio País, que fornecerão as informações necessárias para uma correcta eliminação. A inobservância dos procedimentos de eliminação pode prejudicar o ambiente e as pessoas. Portanto, a eliminação abusiva, total ou parcial, das aparelhagens por parte dos utilizadores, são objecto de coima por parte das Autoridades Competentes.

Наличие данного символа (перечеркнутый мусорный контейнер) на паспортной табличке прибора означает, что по завершению своего срока службы прибор подлежит утилизации и переработке в соответствии с европейской директивой. Директива предусматривает отдельный сбор отработавшей электрической и электронной аппаратуры по системе RAEE. В момент приобретения нового прибора пользователь обязуется не утилизировать прибор в качестве бытовых отходов, а сдать его (в соотношении один к одному) продавцу или дистрибьютору. Продавец должен обеспечить утилизацию прибора в соответствии с методами, предусмотренными системой RAEE. В случае утилизации оборудования на территории Италии обратиться к производителю, который предоставит информацию по утилизации прибора в ближайшем к пользователю центре сбора отходов. Пользователи, находящиеся за пределами Италии, должны обратиться в Министерство по охране окружающей среды своей страны для получения информации о порядке утилизации. Несоблюдение методов утилизации может причинить вред окружающей среде и здоровью людей. Ввиду этого, в случае полного или частичного несоблюдения правил в области утилизации оборудования пользователь несет ответственность в соответствии с законом.









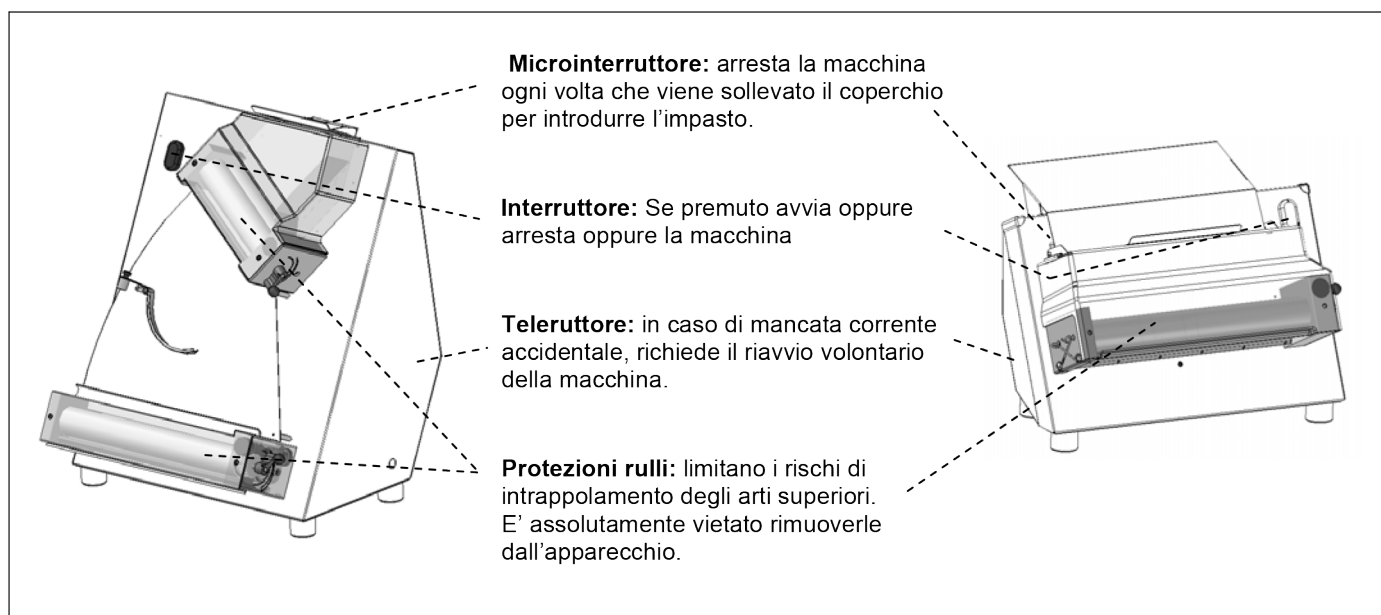
## Caratteristiche tecniche

Descrizioni	Unità di misura	FI32N	FI42N	FIP42N	FIM42
Alimentazione di energia elettrica	V Hz Ph	230V 50Hz 1Ph			
Potenza	kW (HP)	0.37 (0.5)	0.37 (0.5)	0.37 (0.5)	0.15 (0.5)
Larghezza rulli inferiori	mm	320	420	420	420
Peso netto	kg	36	44	43	25
Peso con imballo	kg	46	54	53	25
Livello di rumorosità	dB(A)	< 70			
Installazione		Su banco			

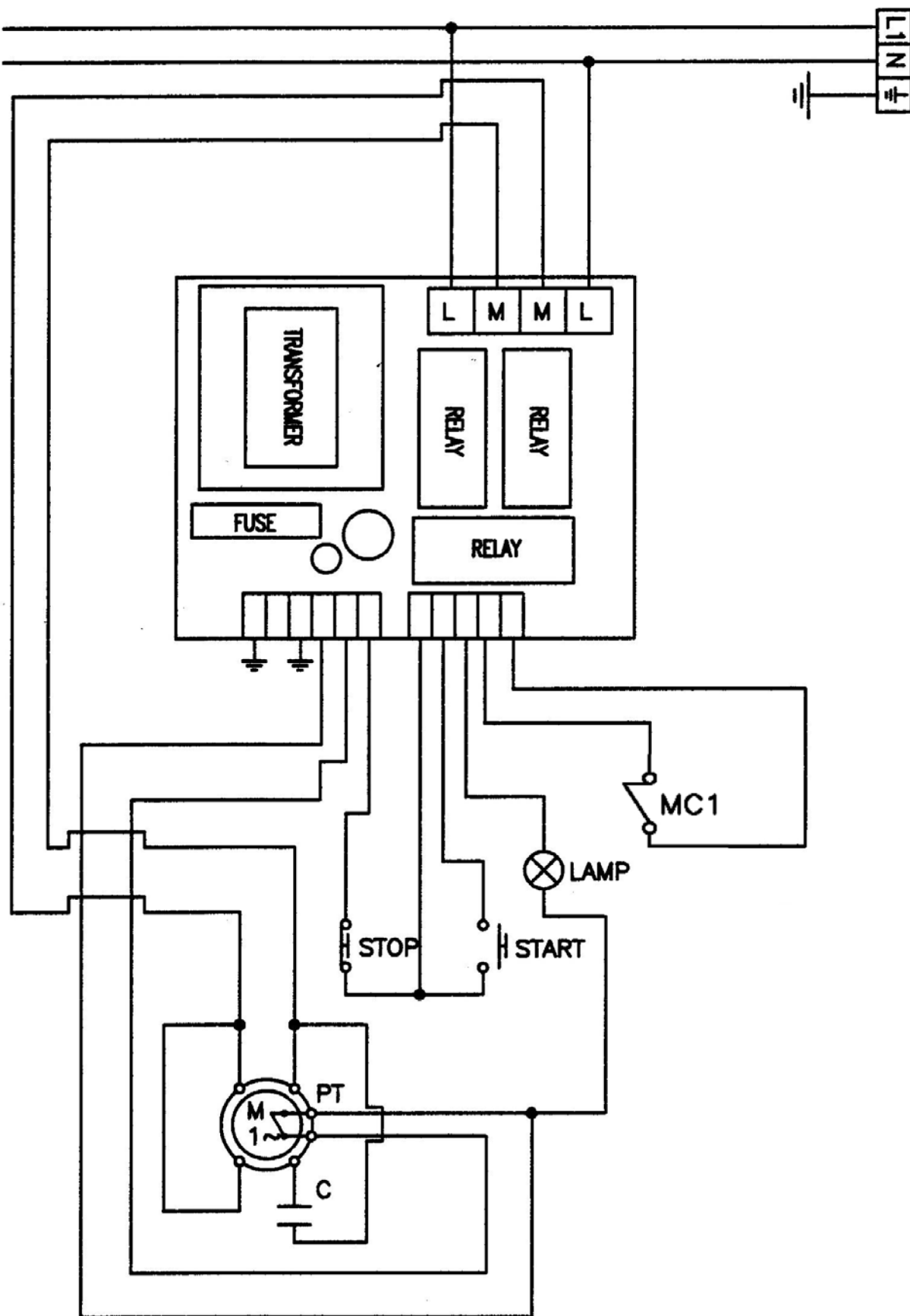
## Dimensioni d' ingombro

mm	A	B	C	
FI32N	490	510	640	
FI42N	590	510	760	
FIP42N	590	510	700	
FIM42	560	420	455	

## Dispositivi di sicurezza



SCHEMA ELETTRICO • ELECTRICAL WIRING DIAGRAM • SCHÉMA ÉLECTRIQUE • SCHALTPLAN • ESQUEMA ELECTRICO • ESQUEMA ELÉCTRICO • ЭЛЕКТРИЧЕСКАЯ СХЕМА





<p><b>CONDIZIONI DI GARANZIA</b></p> <ul style="list-style-type: none"> <li>- La garanzia ha durata 12 mesi ed è subordinata alla presentazione di una copia di idoneo documento fiscale o fattura comprovante la data di acquisto.</li> <li>- Il prodotto è garantito contro vizi e difetti dei materiali, di fabbricazione e assemblaggio per 12 mesi dalla data della fattura di acquisto. La garanzia consiste nella sostituzione o riparazione delle parti componenti il prodotto che risultino difettose. Essa non comprende in alcun caso la sostituzione del prodotto a seguito di intervento per guasto.</li> <li>- La garanzia è quindi limitata alla sostituzione o riparazione gratuita delle parti che, a giudizio del costruttore, siano risultate mal funzionanti. Non rientrano in essa i materiali di consumo e gli utensili.</li> <li>- Le prestazioni in garanzia saranno rese dal rivenditore presso cui è stato effettuato l'acquisto del prodotto, oppure in alternativa dalla casa costruttrice, restando inteso che il relativo trasporto avrà luogo a cura, spese e rischio del cliente.</li> <li>- La garanzia decade qualora il prodotto sia stato manomesso o riparato da personale non autorizzato.</li> <li>- La presente garanzia sostituisce ed esclude ogni altra garanzia dovuta dal rivenditore per legge o contratto e definisce tutti i diritti del cliente in ordine a vizi e difetti e/o mancanze di qualità in ordine ai prodotti acquistati.</li> <li>- Per ogni eventuale controversia legale è riconosciuto competente il Foro di residenza del costruttore.</li> </ul>	<p><b>WARRANTY CONDITIONS</b></p> <ul style="list-style-type: none"> <li>- The warranty has duration of 12 months and is subject to the presentation of a copy of a suitable fiscal document or invoice proving the purchase date.</li> <li>- The product is guaranteed against flaws and defects of the materials, manufacturing and assembly for 12 months from the date of the purchase invoice. The warranty consists in the replacement or repair of defective product components. It does not include the replacement of the product after breakdown repairs for any reason.</li> <li>- Therefore the warranty is limited to the free replacement or repair of parts which, in the manufacturer's opinion, malfunction. Consumable materials and tools are not included.</li> <li>- Warranty services are rendered by the dealer where the product was purchased or, alternately, by the manufacturer, it being understood that the relevant transport will be at the customer's full liability and expense.</li> <li>- The warranty is invalidated if the product was tampered with or repaired by unauthorised personnel.</li> <li>- This warranty substitutes and excludes any other warranty due by the dealer by law or contract and defines all the customer's rights regarding purchased product defects and faults and/or quality deficiencies.</li> <li>- Any legal controversy will be submitted to the manufacturer's Court of residence.</li> </ul>
<p><b>CONDITIONS DE LA GARANTIE</b></p> <ul style="list-style-type: none"> <li>- La garantie a une durée de 12 mois et elle est subordonnée à la présentation d'une copie du document fiscal approprié ou de la facture prouvant la date d'achat.</li> <li>- Le produit est garanti contre les vices et défauts de matière première, de fabrication et d'assemblage pendant 12 mois à compter de la date indiquée sur la facture lors de l'achat. La garantie consiste à remplacer ou réparer les parties qui constituent le produit et résultent défectueuses. Elle n'inclut en aucun cas le remplacement du produit suite à une intervention pour panne.</li> <li>- La garantie se limite donc au remplacement ou à la réparation gratuite des parties qui, selon l'évaluation du constructeur, font preuve de dysfonctionnements. Les matériaux de consommation et les outils ne sont pas couverts.</li> <li>- Les prestations sous garantie seront effectuées par le revendeur chez lequel l'achat a été effectué ou, en alternative, par la maison constructrice, restant entendu que le port est pris en charge par le client, ceci incluant l'organisation, les frais et les risques relatifs.</li> <li>- La garantie est annulée en cas d'altération ou de réparation du produit par du personnel non agréé.</li> <li>- La présente garantie remplace et exclut toute autre garantie due par le revendeur en vertu de la loi ou du contrat et définit tous les droits du client en ce qui concerne les vices et les défauts et/ou le manque de qualité en ce qui concerne les produits achetés.</li> <li>- Pour tout litige juridique est reconnue tribunal compétent de la résidence du fabricant.</li> </ul>	<p><b>GARANTIEBEDINGUNGEN</b></p> <ul style="list-style-type: none"> <li>- Die Garantiezeit beträgt 12 Monate und hängt von der Vorlage einer Kopie eines geeigneten Steuerdokuments oder einer Rechnung, die das Kaufdatum belegt.</li> <li>- Die Garantie bezieht sich auf Mängel und Fehler in Bezug auf die Materialien, die Herstellung und die Montage und gilt 12 Monate ab dem Rechnungsdatum. Die Garantieleistung besteht in der Auswechslung der fehlerhaften Produktkomponenten. Die Garantie umfasst in keinem Fall die Auswechslung des Produkts infolge eines Eingriffs wegen Defekt.</li> <li>- Die Garantie ist mithin beschränkt auf die kostenlose Auswechslung oder Reparatur der Teile, die nach dem Urteil des Herstellers fehlerhaft arbeiten. Verbrauchsmaterialien und Werkzeuge sind von dieser Garantie nicht abgedeckt.</li> <li>- Die Garantie wird von dem Wiederverkäufer geleistet, bei dem das Produkt gekauft wurde oder als Alternative von der Herstellerfirma. Dabei versteht sich, dass der entsprechende Transport in der Verantwortung sowie auf Kosten und Risiko des Kunden erfolgt.</li> <li>- Die Garantie verfällt, sobald das Produkt von unbefugtem Personal manipuliert oder repariert wird.</li> <li>- Diese Garantie ersetzt und schließt jede weitere vom Wiederverkäufer von Gesetzes oder Vertrags wegen geschuldete Garantie und definiert alle Kundenrechte hinsichtlich Qualitätsfehler oder -mängel an den gekauften Produkten.</li> <li>- Für Rechtsstreitigkeiten erkannt wird zuständigen Gericht des Wohnsitzes des Herstellers.</li> </ul>
<p><b>CONDICIONES DE GARANTÍA</b></p> <ul style="list-style-type: none"> <li>- La garantía tiene una duración de 12 meses y está subordinada a la presentación de una copia de un documento fiscal válido o de una factura que pruebe la fecha de compra.</li> <li>- El producto está garantizado contra vicios y defectos de los materiales, de fabricación y de ensamblaje, por un plazo de 12 meses a partir de la fecha de la factura de compra. La garantía consiste en la sustitución o reparación de las partes componentes del producto que resulten defectuosas. La misma no comprende, en ningún, caso la sustitución del producto posterior a una intervención por avería.</li> <li>- La garantía se limita a la sustitución o reparación gratuita de las partes que, a juicio del fabricante no funcionen correctamente. No entran dentro de la misma los materiales de consumo y las herramientas.</li> <li>- Las prestaciones bajo garantía serán realizadas por el revendedor al que se ha realizado la compra del producto, o bien por la Casa Fabricante, dejando sobreentendido que el transporte, riesgos y gastos quedará a cargo del cliente.</li> <li>- La garantía caduca si el producto ha sido forzado o reparado por personal no autorizado.</li> <li>- La presente garantía sustituye y excluye cualquier otra garantía debida por el revendedor por ley o contrato y define todos los derechos del cliente con respecto a las imperfecciones, defectos y/o faltantes en cantidad del pedido de los productos comprados.</li> <li>- Para cualquier controversia jurídica es reconocida Tribunal competente de residencia de los fabricantes.</li> </ul>	<p><b>CONDIÇÕES DE GARANTIA</b></p> <ul style="list-style-type: none"> <li>- A garantia tem a duração de 12 meses e está subordinada à apresentação de uma cópia de idoneo documento fiscal ou fatura comprovante da data da compra.</li> <li>- O produto está garantido contra vícios e defeito dos materiais, de fabricação e montagem ou por 12 meses da data da fatura de compra. A garantia consiste na substituição ou reparação das partes que constituem o produto que resultem defeituosas. A garantia não prevê a substituição do produto devido a intervenção por avaria.</li> <li>- A garantia limita-se, portanto, à substituição ou reparação gratuita das partes que, a juízo do construtor, não funcionem bem. Não reentram na mesma os consumíveis e os utensílios.</li> <li>- As prestações sob garantia serão de competência do revendedor no qual foi efectuada a compra do produto ou, em alternativa, pela firma construtora, ficando assente que o relativo transporte, despesas e riscos são a cargo do cliente.</li> <li>- A garantia decai se o produto for alterado ou reparado por pessoal não autorizado.</li> <li>- A presente garantia substitui e exclui qualquer outra garantia devida pelo revendedor por lei ou por contrato e define todos os direitos do cliente em relação a vícios e defeitos e/ou falta de qualidade relativamente aos produtos comprados.</li> <li>- Para qualquer litígio jurídico é reconhecida Tribunal competente da residência do fabricante.</li> </ul>
<p><b>УСЛОВИЯ ГАРАНТИИ</b></p> <ul style="list-style-type: none"> <li>- Настоящая гарантия действительна в течение 12 месяцев и обусловлена предъявлением настоящего сертификата вместе с соответствующим документом о покупке или фактурой, подтверждающей дату покупки.</li> <li>- На изделие предоставляется гарантия против изъянов и дефектов материалов, изготовления и сборки в течение срока, указанного в настоящем сертификате. Гарантия заключается в проведении замены или ремонта дефективных частей, составляющих изделие. Гарантия не включает в себя замену изделия в результате ремонта вследствие поломки.</li> <li>- Таким образом, гарантия ограничивается бесплатным проведением замены или ремонта частей, которые по усмотрению производителя считаются неисправными. Гарантия не распространяется на расходные материалы и инструменты.</li> <li>- Гарантийные услуги оказываются дилером, у которого была совершена покупка, или, в качестве альтернативы, фирмой-производителем, причем подразумевается, что транспортировка организуется и выполняется за счет клиента и под его ответственностью.</li> <li>- Гарантия утрачивается в случае неправильного обращения с изделием или ремонта, проведенного неуполномоченным персоналом.</li> <li>- Настоящая гарантия заменяет собой и исключает любую другую гарантию, полученную от дилера по закону или по контракту, и определяет все права клиента в отношении изъянов и дефектов и/или недостатка качества приобретенных изделий.</li> <li>- При возникновении любых разногласий юридического характера компетентным считается суд г. Римини – Италия – Е. Для любой правовой спор является признанным компетентным судом жительства изготовителя.</li> </ul>	<p><b>GARANTIVILLKOR</b></p> <ul style="list-style-type: none"> <li>- Garantint varar i 12 månader och gäller på villkor att kunden kan visa upp ett kvitto eller faktura som bevis på inköpsdatum.</li> <li>- Produkten garanteras mot eventuella fel och defekter i materialet, fabriktionsfel och monteringsfel i 12 månader från inköpsdatumet. Garantin består i byte eller reparation av delarna som produkten består av och som eventuellt är defekta. Den täcker aldrig byte av produkten efter eventuella försök till reparationer.</li> <li>- Garantin är således begränsad till ersättning eller gratis reparation av delarna som fungerar dåligt, enligt tillverkaren. Detta gäller inte förbrukningsartiklar och verktyg.</li> <li>- Garantiprestationerna ska ges av återförsäljaren som sålt produkten till kunden, eller av tillverkaren, förutsatt att kunden står för transportkostnaderna och eventuella risker.</li> <li>- Garantin förfaller om produkten manipuleras eller repareras av personal som inte är auktoriserad för detta.</li> <li>- Denna garanti ersätter och utesluter varje annan garanti från återförsäljaren, enligt lag eller kontrakt, och anger alla kundens rättigheter vad gäller fel och defekter och/eller avsaknad av kvalitet i de produkter som inhandlats.</li> <li>- För varje tvist är erkänd behörig domstol där tillverkaren.</li> </ul>
<p><b>JÓTÁLLÁSI FELTÉTELEK</b></p> <ul style="list-style-type: none"> <li>- A jótállás időtartama 12 hónap. A jótállás a vásárlás napját igazoló számla vagy blokk (annak másolatának) felmutatása ellenében vehető igénybe.</li> <li>- A jótállás az anyaghibából, gyártási ill. összeszerelési hibából eredő meghibásodásokra terjed ki, a számlán feltüntetett vásárlás napjától számított 12 hónapig. A jótállás áll a termék hibás részének cseréjéből vagy ezek kijavításából. Nem foglalja viszont magában az egész termék eszerjét a hiba javítása következtében.</li> <li>- A jótállás kizárólag a hibás részek díjmentes javítására, cseréjére korlátozott, amik a gyártó elbírálása alapján részben vagy egyáltalán nem működnek. Nem érvényes anyagkopás, kockázata a vásárlót terheli.</li> <li>- A jótállás érvényét veszti ha a terméken nem hozzáértő és nem meghatalmazott személy bármilyen beavatkozást végzett.</li> <li>- Ez a jótállás helyettesíti és kizár minden más jótállást amire a gyártó kötele egy szerződés vagy jog alapján és meghatározza a vásárló minden jogát a vásárolt termék hibával, hiányosságaival, minőség hiányával szemben viszonyítva.</li> <li>- Minden olyan jogvita elismert illetékes bíróság lakóhelye a gyártótól.</li> </ul>	<p><b>ΟΡΟΙ ΕΠΙΤΗΔΗΣ</b></p> <ul style="list-style-type: none"> <li>- Η εγγύηση έχει διάρκεια 12 μήνες και υπόκειται στην προσκόμιση αντιγράφου του κατάλληλου φορολογικού εγγράφου ή τιμολογίου που αντιγράφει την ημερομηνία αγοράς.</li> <li>- Το προϊόν είναι εγγυημένο για ατέλεια και ελαττώματα υλικών, κατασκευής και συναρμολόγησης για 12 μήνες από την ημερομηνία έκδοσης του τιμολογίου. Η εγγύηση καλύπτει την αντικατάσταση ή την επισκευή των μερών του προϊόντος που παρουσιάζουν τα ελαττώματα. Για κανένα λόγο, δεν προβλέπεται την ολική αντικατάσταση του προϊόντος σε περίπτωση τεχνικής επέμβασης επισκευής.</li> <li>- Συνεπώς, η εγγύηση καλύπτει μόνο τη δωρεάν αντικατάσταση ή επισκευή των μερών που, κατά την κρίση του κατασκευαστή, αποδείχθηκε ότι παρουσιάζουν προβλήματα λειτουργίας. Δεν καλύπτεται τα αναλώσιμα υλικά και τα εργαλεία.</li> <li>- Οι υπηρεσίες τεχνικής υποστήριξης που καλύπτονται από την εγγύηση παρέχονται από τον πωλητή του προϊόντος ή, εναλλακτικά, από την κατασκευαστική εταιρεία. Εννοείται ότι η μεταφορά του προϊόντος θα γίνει με φροντίδα, δωρεάν και ανάληψη κινδύνου του πελάτη.</li> <li>- Η εγγύηση παύει να ισχύει σε περίπτωση που το προϊόν παραβιαστεί ή επισκευαστεί από μη εξουσιοδοτημένους τεχνικούς.</li> <li>- Η παρούσα εγγύηση αντικαθιστά και ακυρώνει όλες τις προηγούμενες εγγυήσεις που αποδεχόμενος παρέχει ο πωλητής με βάση το νόμο ή κάποιο συμβόλαιο, και καθορίζει όλα τα δικαιώματα του πελάτη όσον αφορά τα ελαττώματα και/ή την έλλειψη αναμενόμενης ποιότητας των προϊόντων που αποκτήθηκαν.</li> <li>- Για κάθε νομική διαφορά αναγνωρίζεται αρμόδιο δικαστήριο της κατοικίας του κατασκευαστή.</li> </ul>



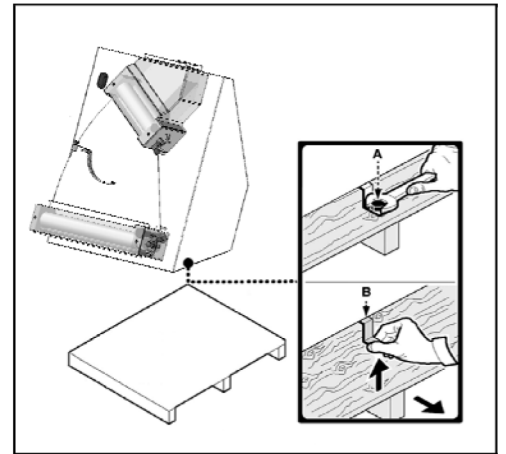
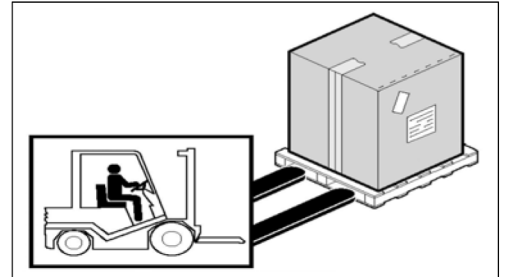
## Avvertenze generali

Il trasporto della macchina deve essere sempre effettuato da personale professionalmente qualificato, avendo cura di evitare qualsiasi danno alle sue parti dovuti ad urti o sollecitazioni causate da modalità di sollevamento non ammesse. Danni alla macchina causati durante il Trasporto e la Movimentazione, non sono coperti da garanzia. Riparazioni o sostituzioni di parti danneggiate sono a carico del Cliente.

## Imballo e disimballo

La macchina è imballata in una scatola di cartone per garantire la perfetta integrità durante il trasporto.

- Inserire le forche del carrello elevatore in posizione centrale rispetto alla lunghezza della cassa.
- Accertarsi che il retro dell'imballo sia libero da ostacoli.
- Sollevare la cassa con cautela e trasportarla nel luogo in cui verrà effettuato il disimballaggio, evitando sobbalzi e strattoni improvvisi.
- Aprire l'imballo e verificare l'integrità di tutti i componenti conservando l'imballo per futuri traslochi.
- Svitare le viti **A** e sollevare la macchina dal pallet.
- Sollevare la macchina, rimuovere le staffe **B** e posizionarla nella zona adibita all'installazione.



## Zona d'installazione

La zona prestabilita dovrà essere adeguatamente illuminata e dovrà disporre di presa di distribuzione dell'energia elettrica.

Posizionare la macchina in modo stabile e definitivo su una superficie piana, in posizione orizzontale, con caratteristiche di portata carico adeguata, tenendo conto del peso massimo della macchina. Assicurare alla macchina la giusta stabilità meccanica.

Il piano di appoggio deve essere sufficientemente ampio, ben livellato e asciutto.

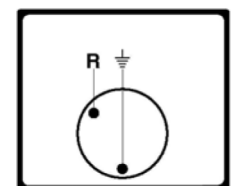
L'installazione deve avvenire in ambienti con atmosfera non esplosiva.

**Tabella Condizioni ambientali**

Descrizioni	Valori
Temperatura di funzionamento	0÷35 °C (32÷95 °F)
Temperatura di magazzinaggio	-15 a +65 °C (da -6.8 a +149 °F)
Umidità relativa	Massima 80% con temperatura ambiente di 20 °C Massima 50% con temperatura ambiente tra 20÷60 °C
Polverosità ambientale	Inferiore a 0.03 g/m <sup>3</sup>

## Collegamento elettrico

**ATTENZIONE:** Il collegamento elettrico alla rete di alimentazione deve essere eseguito da personale specializzato.



Accertarsi della perfetta efficienza dell'impianto di messa a terra dello stabilimento. Verificare che la tensione di linea (**V**) e la frequenza (**Hz**) corrispondano a quelli della macchina (Vedere la targhetta di identificazione e lo schema elettrico).

La macchina viene fornita completa di cavo elettrico e di relativa spina.

La spina è da collegare ad un interruttore a muro provvisto di differenziale.



## Descrizione dei comandi

### 1) Pulsante di start “I”

Premere il pulsante per avviare la macchina, l'avvio è abilitato solo con il coperchio della protezione superiore abbassato.

### 2) Pulsante di stop “0”

Premere il pulsante per arrestare la macchina.

### 3) Pomello contrappeso bilancino (solo mod.FI32N-42N)

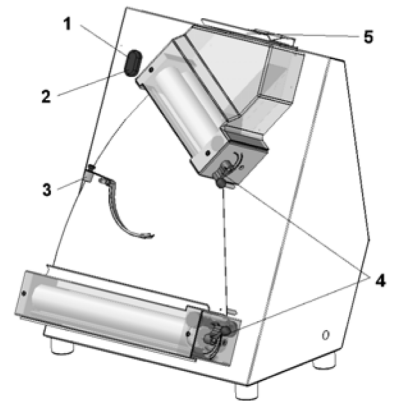
Svitare il pomello e regolare il contrappeso in base alla dimensione ed al peso della porzione d' impasto. Stringere il pomello una volta trovata la posizione desiderata.

### 4) Leva spostamento rulli

Ruotare la leva per verso il basso per aumentare lo spessore della pizza. Ruotare la leva verso l'alto per diminuire lo spessore.

### 5) Coperchio protezione

Alzare il coperchio per introdurre l'impasto.



## Uso della macchina

- Regolare, attraverso le apposite leve, lo spessore su entrambi i gruppi di rulli. I rulli superiori devono essere regolati con una apertura piuttosto ampia, mentre i rulli inferiori devono avere un'apertura pari allo spessore della pizza che si vuole ottenere (per eseguire correttamente questa operazione occorre effettuare alcune prove).
- Regolare la posizione del contrappeso bilancino in base alla dimensione ed al peso della porzione da stendere, solo mod.FI32N-42N (per eseguire correttamente questa operazione occorre effettuare alcune prove).
- Verificare che i raschiatori siano nella posizione corretta e che le loro molle siano ben tensionate.
- Accendere la macchina premendo il pulsante di avviamento “I”.
- Schiacciare la porzione di impasto ed infarinarla abbondantemente in modo da agevolare il passaggio attraverso i rulli.
- Sollevare il coperchio della protezione superiore, lasciar scivolare l'impasto nel mezzo dei due rulli e richiudere il coperchio (senza lasciarlo cadere, ma accompagnandolo sulla battuta).
- Aspettare che l'impasto esca completamente dalla morsa dei rulli superiori per farlo scivolare, questa volta sui rulli inferiori che lo schiacciano, a seconda dello spessore regolato precedentemente dalla leva di spessoramento.
- Al termine della lavorazione fermare la macchina premendo il pulsante di arresto “0”.

## INFORMAZIONI:

**Per le utenze con porzioni di impasto molto irregolari si consiglia di smontare il bilancino (solo mod.FI32N-42N) e di procedere alla rotazione manuale della porzione al momento del passaggio tra le due coppie di rulli.**

## Consigli d' uso

Utilizzare la macchina sempre con un'apertura dei rulli superiori molto ampia, onde evitare eccessivi sforzi agli organi di trasmissione. Inoltre schiacciare la porzione di impasto ed infarinarla abbondantemente, prima di introdurla nella macchina, per facilitarne il passaggio attraverso i rulli.

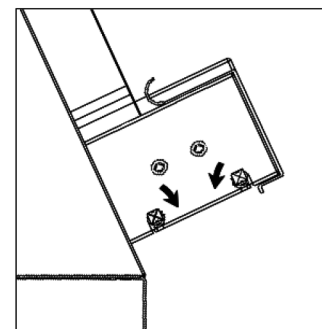
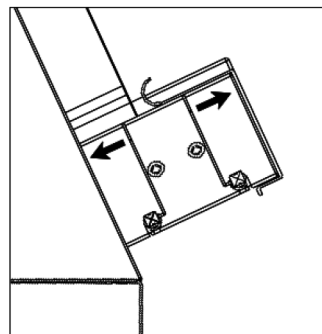
## PULIZIA DELLA MACCHINA

### Pulizia a fine giornata

- A fine giornata staccare la spina dalla presa di corrente.
- Eseguire un' accurata pulizia utilizzando un panno umido con prodotti di pulizia neutri, non corrosivi, non nocivi e non infiammabili.
- Pulire le parti esterne della macchina con spugna umida.
- Non utilizzare pagliuzze metalliche.

### Pulizia dei raschiatori rulli

- Sganciare le molle, presenti sui rulli inferiori, premendo le stesse verso l'esterno.
- Ruotare i perni verso l'interno e procedere alla pulizia dei raschiatori con un panno umido.
- Per riposizionare i raschiatori procedere inversamente con le operazioni su descritte.



### Lunga inattività della macchina

Se si prevede di non utilizzare la macchina per un lungo periodo, dopo aver scollegato la presa elettrica ed effettuato la pulizia, proteggere la macchina in modo adeguato (con un telo) per mantenerla pulita.

### Ricerca guasti

In caso di guasti o malfunzionamenti, scollegare l' interruttore generale a muro e contattare il Servizio Assistenza del vostro Rivenditore. Evitare di smontare le parti interne della macchina.

**Il costruttore declina ogni responsabilità per eventuali manomissioni!**

La tabella sottostante riporta un elenco delle più comuni anomalie che potrebbero presentarsi; viene poi riportato un elenco sintetico delle più probabili cause di guasto con relativa descrizione delle soluzioni per ovviare ai problemi descritti.

### Inconvenienti, cause, rimedi

Inconveniente	Causa	Rimedi
La macchina non si avvia	Interruttore generale disinserito	Inserire l' interruttore generale su "I"
	Mancanza di tensione sulla linea di alimentazione	Contattare Servizio Assistenza del vostro Rivenditore
	Il motore elettrico o la scheda elettronica sono difettosi	Contattare Servizio Assistenza del vostro Rivenditore
	Fusibile di protezione bruciato	Contattare Servizio Assistenza del vostro Rivenditore
	Coperchio protezione rulli superiori alzato	Abbassare il coperchio